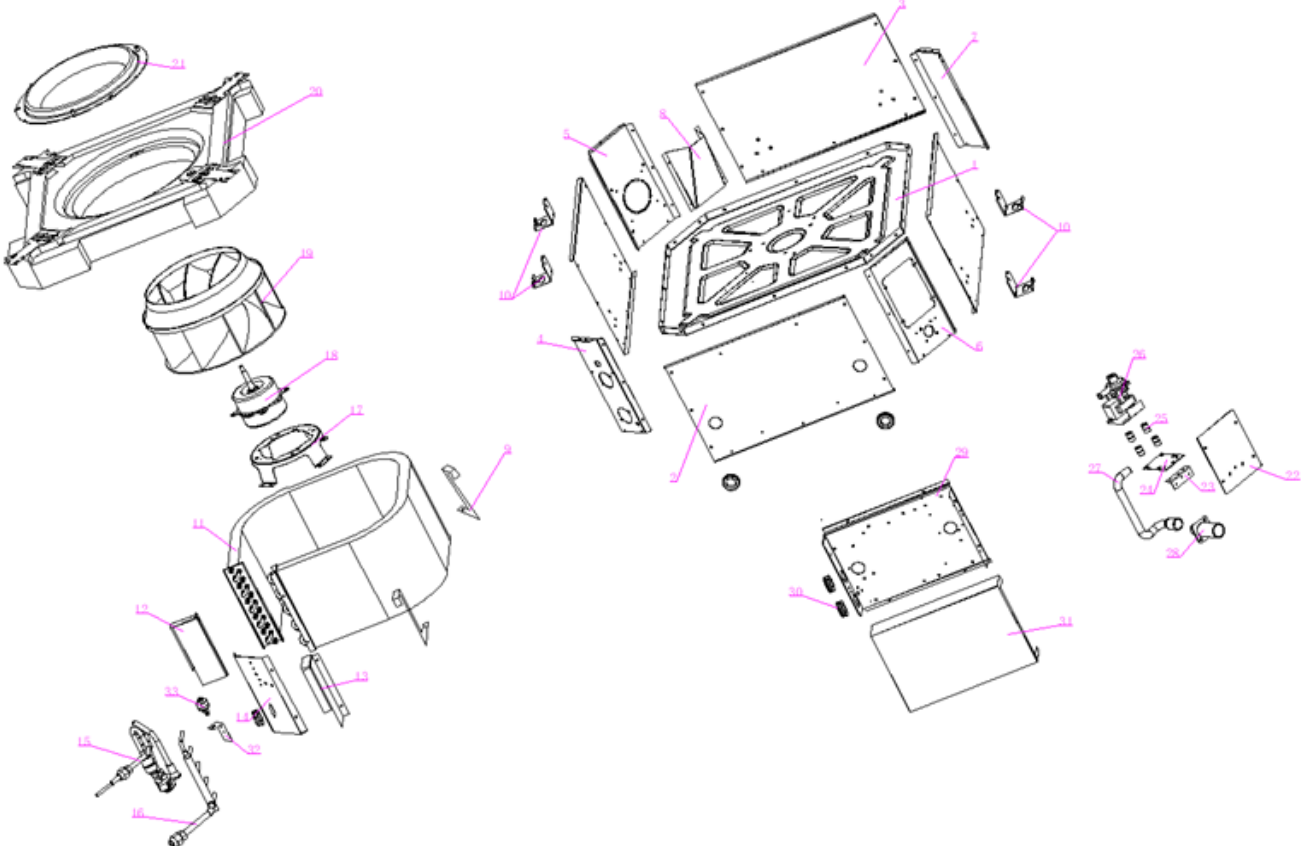


Exploded Views and Parts Listing

Model: TECM112J0T-LWL036

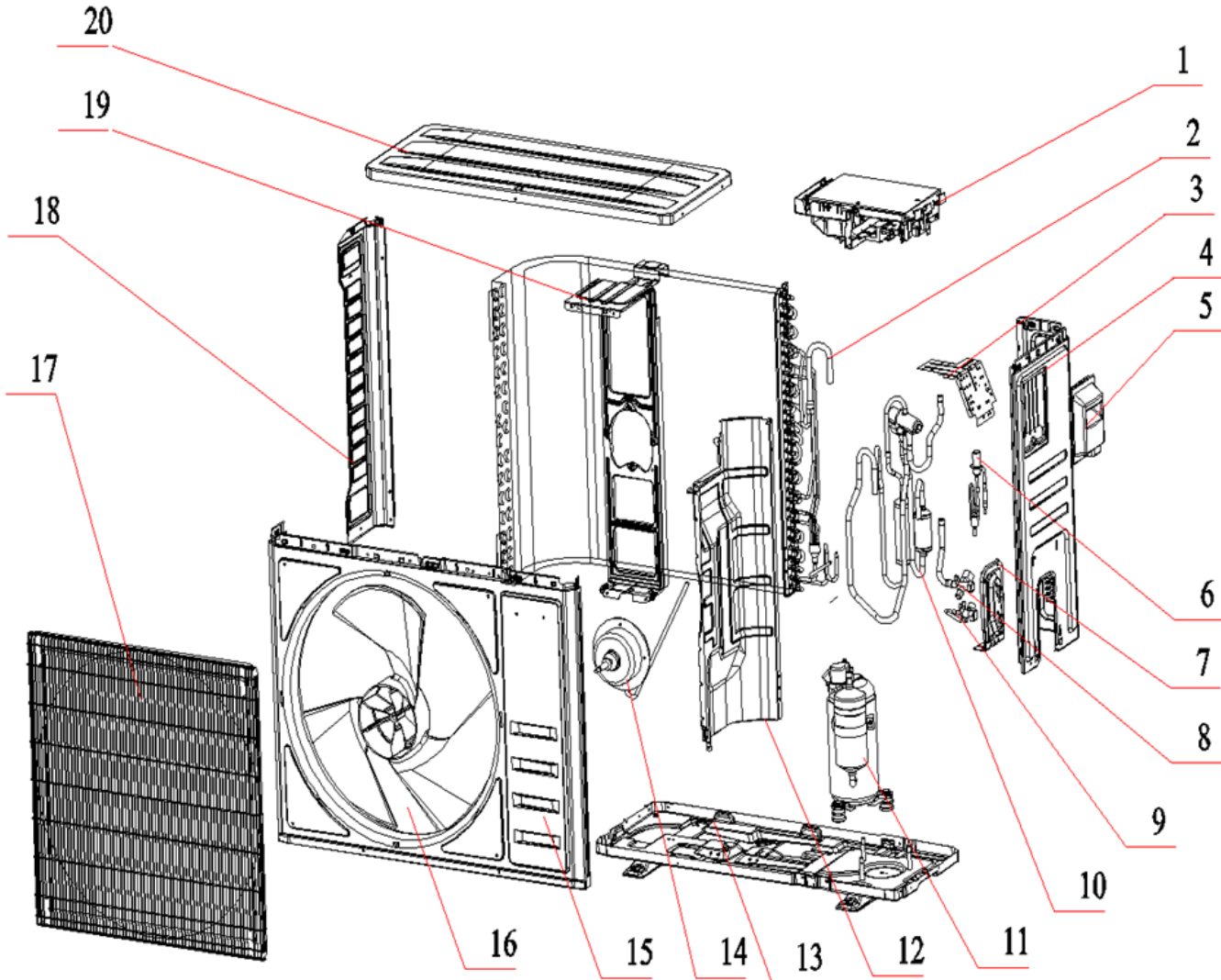


Model: TECM112J0T-LWL036

TECM112J0T-LWL036				
NO.	Code	Name	Qty	Note
1	/	Base board assembly	1	
2	/	Left & right plate assembly	1	
3	/	Left & right plate assembly	3	
4	/	Plate 1	1	
5	/	Plate 2	1	
6	/	Plate 3	1	
7	/	Plate 4	1	
8	/	Fresh air port sheet metal	1	
9	/	Hook fixture for evaporator	2	
10	/	Hook	4	
11	/	Evaporator assembly	1	
12	/	Evaporator fixed plate assembly	1	
13	/	Evaporator fixed plate assembly	1	
14	/	Evaporator connecting board	1	
15	/	Input tube assembly	1	
16	/	Output tube assembly	1	
17	/	Tray	1	
18	22001-000197	Indoor fan motor	1	
19	/	Centrifugal blade	1	
20	/	Drain pan	1	
21	/	Wind deflector	1	
22	/	Water pump mounting plate	1	
23	/	Pump retaining plate 1	1	
24	/	Pump retaining plate 2	1	
25	/	Water pump rubber mat	4	
26	/	Water pump	1	
27	/	Water connecting pipe	1	
28	/	Water outlet	1	
29	45006-000486	Electric control mounting plate	1	
30	92012-000277	Rubber sleeve	6	
31	45006-000498	Electric box cover	1	
32	/	Water level switch support	1	
33	/	Water level switch	1	
34	35004-001838	Indoormain PCB	1	NO SHOW
35	11304-100000	Terminal	1	
36	25004-000281	Temperature sensor	1	
37	25006-000137	Relays	1	
38	42001-000052	Clamp assembly	1	

Exploded Views and Parts Listing

Model: TCHB112J0T-LSL036

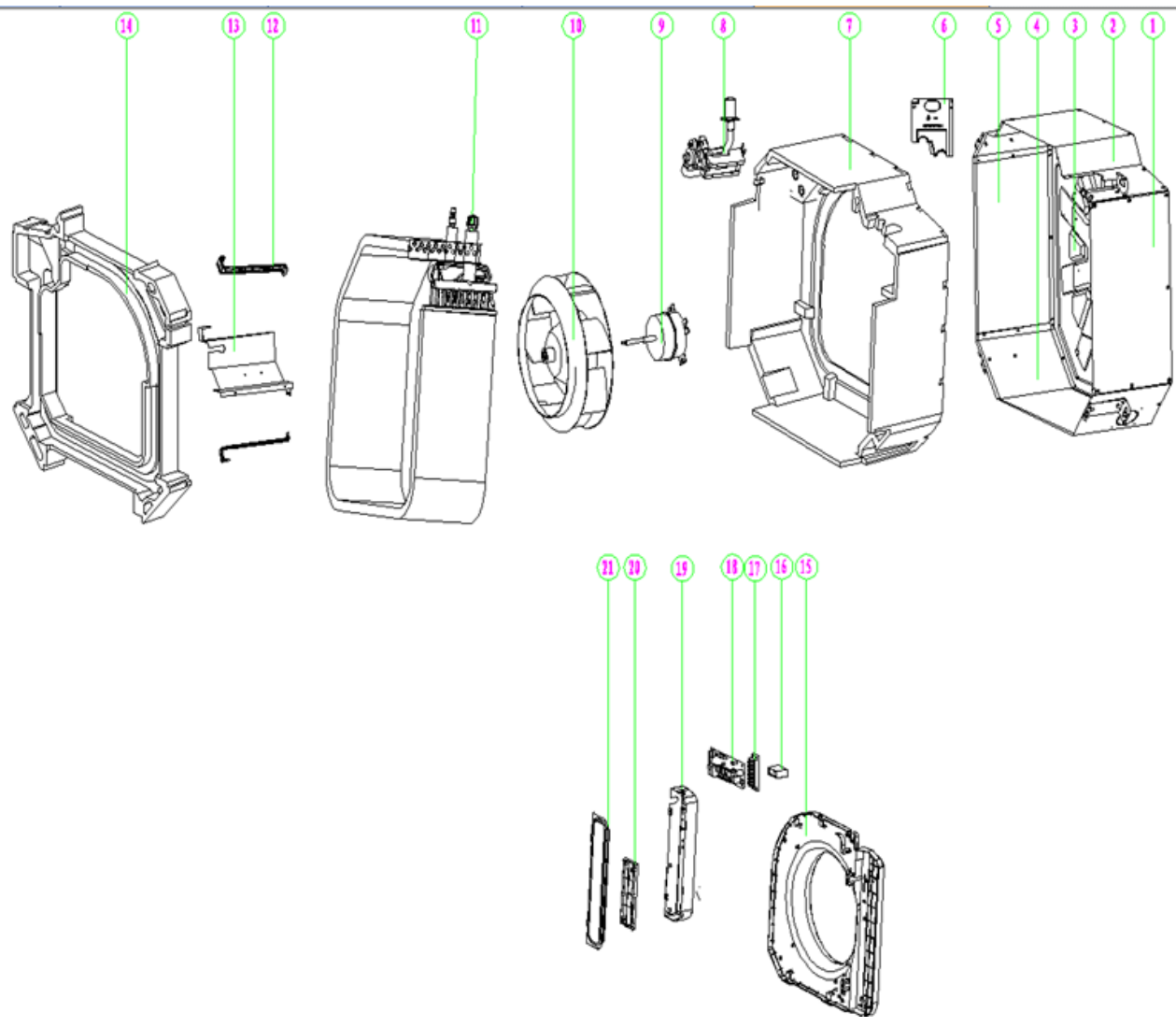


Model: TCHB112J0T-LSL036

TCHB112J0T-LSL036				
NO.	Code	Name	Qty	Note
1	41207-000033	Top cover	1	
2	32099-040530	Electrical box parts	1	
3	41208-001054	Partition plates	1	
4	45006-001538	Electrically controlled mounting plate	1	
5	41205-000870	Right side plate	1	
6	41201-000010	Big handles	1	
7	92007-001041	Shut-off valve assembly	1	
8	92007-018937	Shut-off valve assembly	1	
9	41204-000020	Valve plate	1	
10	92007-019526	Electronic expansion valve assembly	1	
11	92007-020601	Four-way valve module	1	
12	92014-000929	compressor	1	
13	41202-000524	Chassis components	1	
14	42011-000090	Out of the grille	1	
15	42004-000245	Axial fan	1	
16	41206-000211	Front panel	1	
17	22001-000493	Axial fan motor	1	
18	41203-000052	Motor bracket	1	
19	41205-000119	Left side panel	1	
20	95003-004369	Condenser components	1	
21	10104-100176	Pipeline sensor (3-in-1)	1	

Exploded Views and Parts Listing

Model: TECR124J0T-LWL070

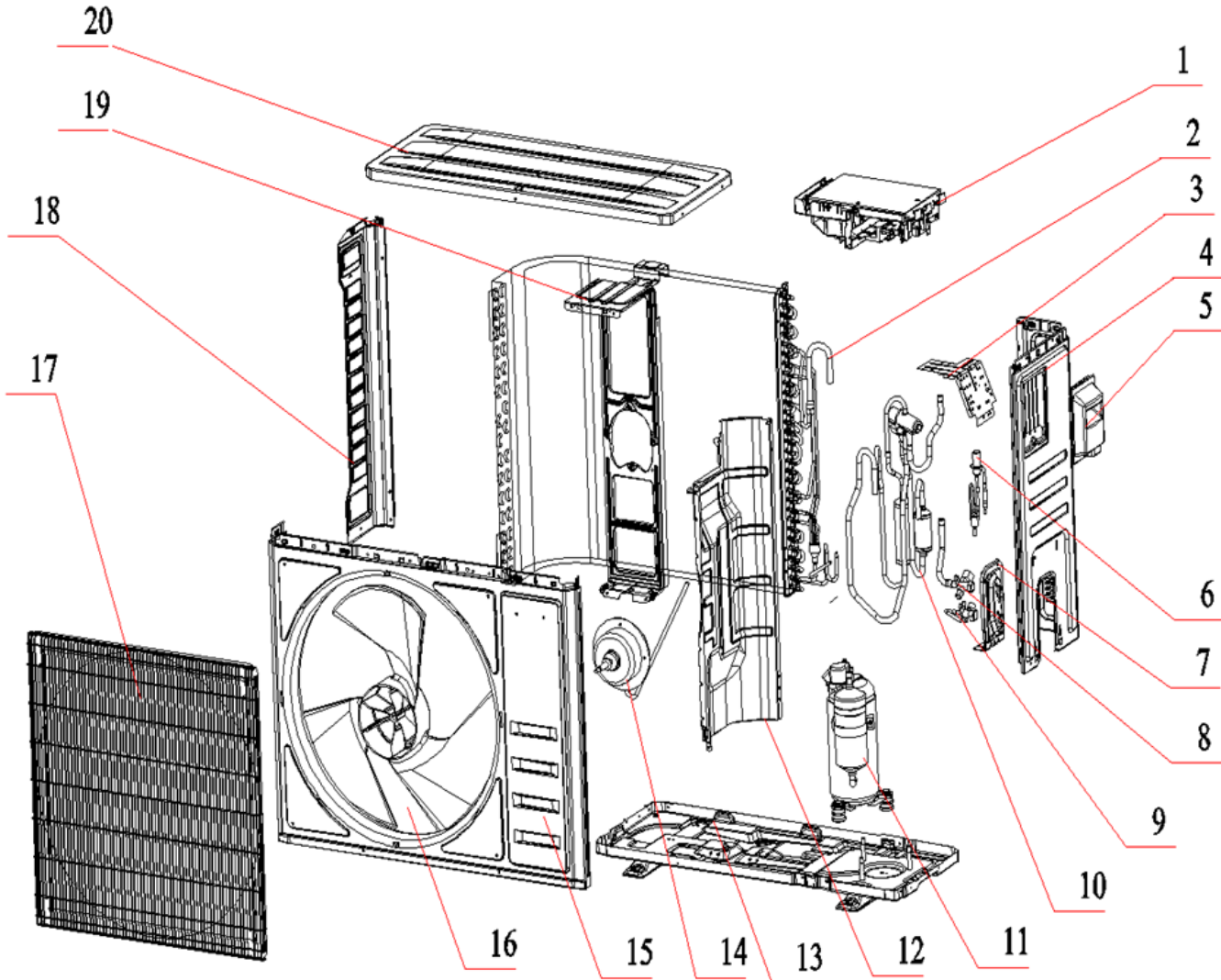


Model: TECR124J0T-LWL070

TECR124J0T-LWL070				
NO.	Code	Name	Qty	Note
1	45901-000103	3P Left & right plate assembly	1	
2	45901-000089	Front plate assembly	1	
3	45004-000537	Base board assembly	1	
4	45901-000091	Back plate assembly	1	
5	45901-000103	3P Left & right plate assembly	1	
6	45901-000035	Valve board	1	
7	45004-000325	base foam	1	
8	45014-003541	Water pump assembly	1	
9	25001-000429	Brushless DC motor	1	
10	45009-000076	Centrifugal fan	1	
11	95003-003686	Evaporator assembly	1	
12	46301-000171	Hook fixture for evaporator	2	
13	95003-001605	Evaporator fixed plate assembly	1	
14	45011-000120	Drain pan	1	
15	45008-000336	Wind deflector	1	
16	25006-000137	Relays	1	
17	35005-000152	Terminal	1	
18	35004-001819	Indoormain PCB	1	
19	45006-000399	Electric box	1	
20	45901-000098	Electrical box assembly	1	
21	35001-000374	Electric box cover	1	

Exploded Views and Parts Listing

Model: TCHB124J0T-LSL070

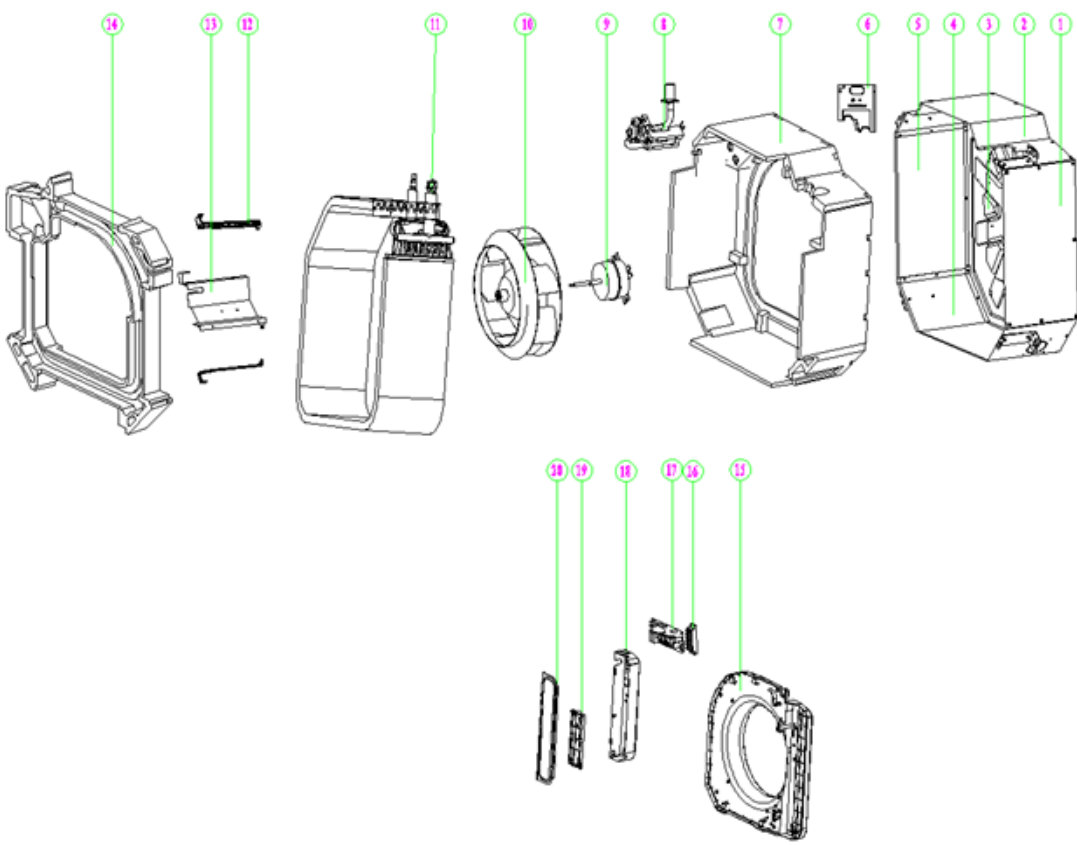


Model: TCHB124J0T-LSL070

TCHB124J0T-LSL070				
NO.	Code	Name	Qty	Note
1	35001-000680	Electrical components	1	
2	95003-004370	Condenser components	1	
3	45006-001539	Electrically controlled mounting plate	1	
4	41205-000868	Right side plate	1	
5	41201-000010	Big handles	1	
6	95015-001966	Electronic expansion valve assembly	1	
7	41204-000020	Valve plate	1	
8	92007-001042	Shut-off valve assembly	1	
9	92007-001052	Shut-off valve assembly	1	
10	92007-019200	Four-way valve module	1	
11	92014-000857	Rotary compressors	1	
12	41208-001053	Partition (inverter)	1	
13	41202-000521	Chassis components	1	
14	22001-000602	Axial fan motor	1	
15	41206-000252	Front panel	1	
16	42004-000249	Axial fan	1	
17	42011-000031	Out of the grille	1	
18	41205-000117	Left side plate (half sealed)	1	
19	41203-000032	Motor bracket parts	1	
20	41207-000028	Top cover	1	
21	10104-100176	Thermistor (3-in-1)		

Exploded Views and Parts Listing

Model: TECR148J0T-LWL140

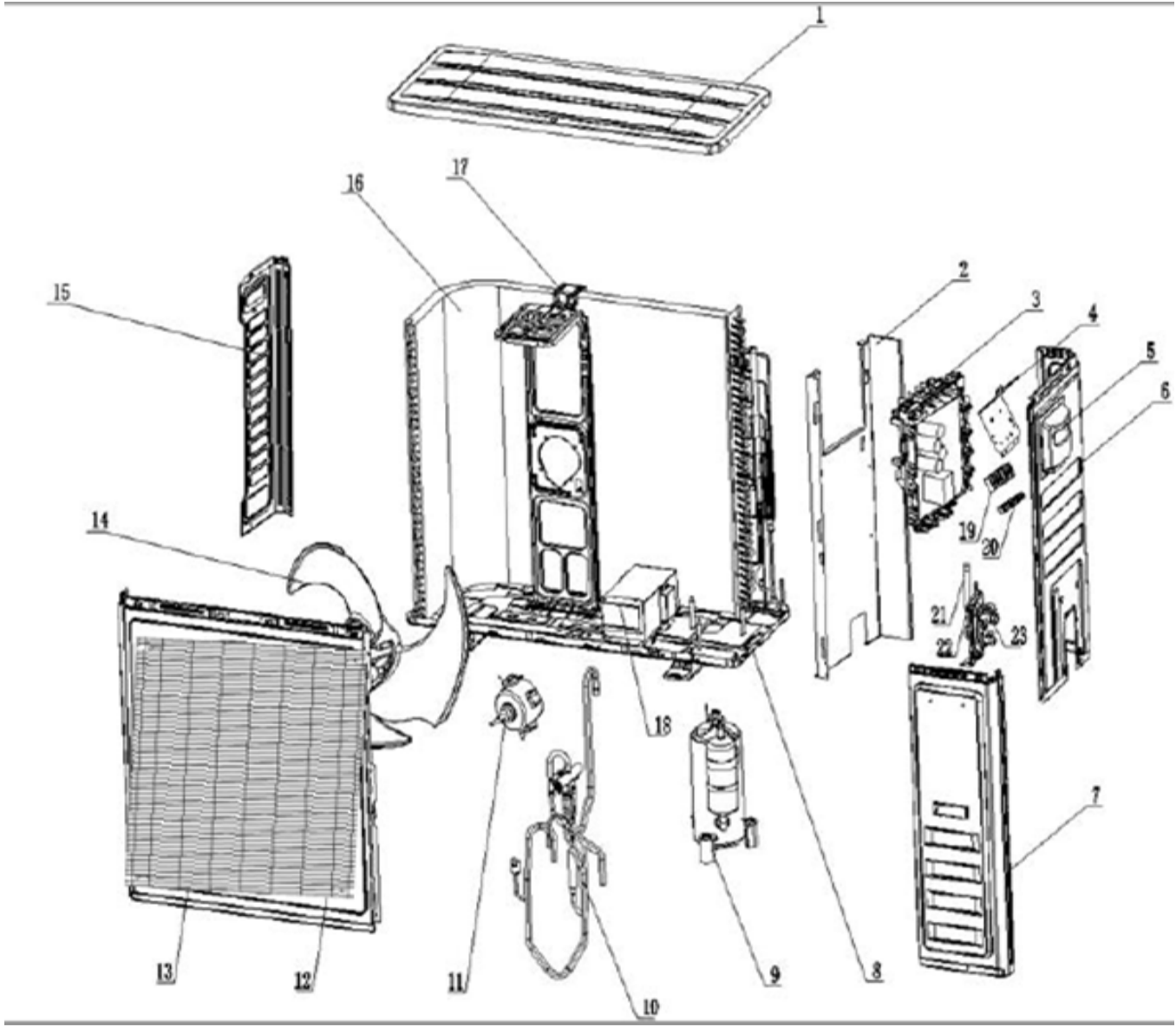


Model: TECR148J0T-LWL140

TECR148J0T-LWL140				
NO.	Code	Name	Qty	Note
1	45901-000102	5P Left & right plate assembly	1	
2	45901-000092	Front plate assembly	1	
3	45004-000537	Base board assembly	1	
4	45901-000095	Back plate assembly	1	
5	45901-000102	5P Left & right plate assembly	1	
6	45901-000035	Valve board	1	
7	45004-000326	base foam	1	
8	25006-000104	Water pump	1	
9	25001-000337	Brushless DC motor	1	
10	45009-000053	Centrifugal fan	1	
11	95003-004637	Evaporator assembly	1	
12	45014-004720	Hook fixture for evaporator	2	
13	45010-000247	Evaporator fixed plate assembly	1	
14	45011-000120	Drain pan	1	
15	45008-000369	Wind deflector	1	
16	35005-000114	Terminal	1	
16.1	35005-000074	Terminal	1	
17	35004-001819	Indoormain PCB	1	
18	45006-000399	Electric box	1	
19	45901-000098	Electrical box assembly	1	
20	35001-000374	Electric box cover	1	

Exploded Views and Parts Listing

Model: TCHB148J0T-LTL140

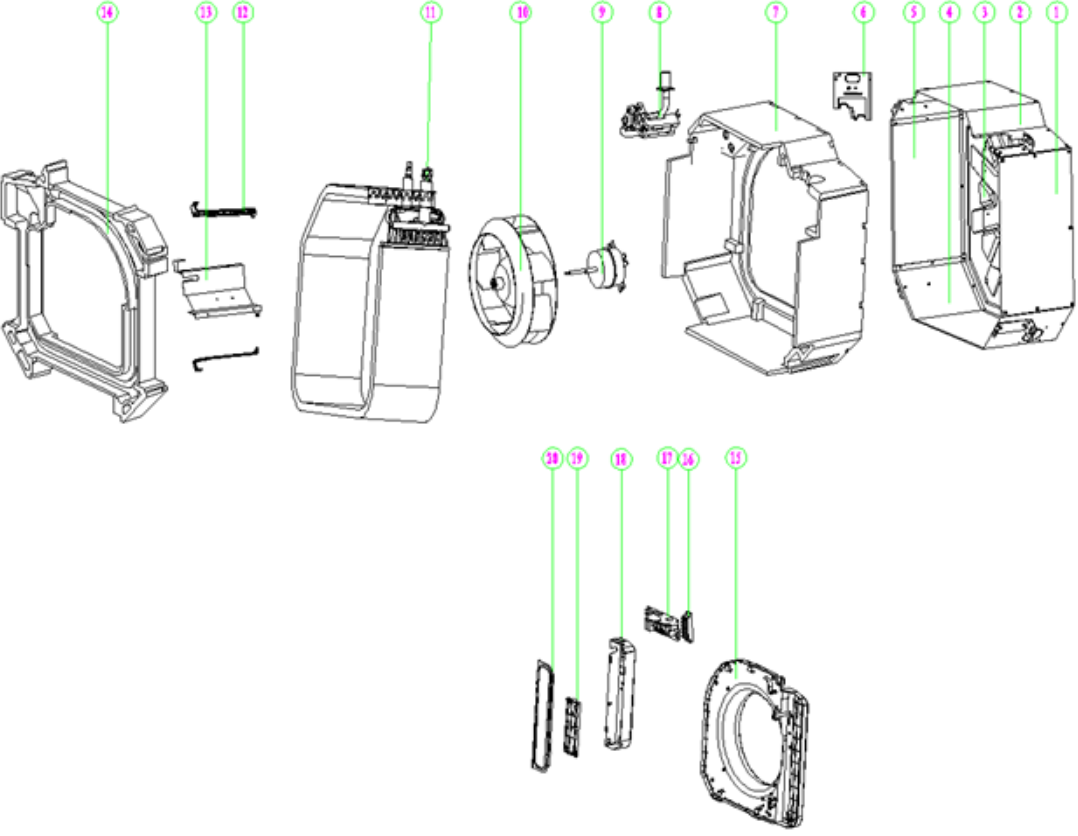


Model: TCHB148J0T-LTL140

TCHB148J0T-LTL140				
NO.	Code	Name	Qty	Note
1	45007-000096	Top cover	1	
2	45014-005433	Bulkhead assembly (numerical)	1	
3	31201-003116	Electrical components	1	
4	45006-001444	Electrical Mounting Plate (CNC)	1	
5	41201-000001	Large handle assembly	1	
6	45003-000325	Right back side plate	1	
7	45003-000324	Right front side plate	1	
8	45004-000533	Chassis components	1	
9	92014-000900	compressor	1	
10	92007-020800	Four-way valve components	1	
11	25001-000415	Axial fan motor	1	
12	45013-000265	Front side plate	1	
13	42011-000490	Out of the grille	1	
14	45009-000093	Axial fan	1	
15	45003-000326	Left Panel	1	
16	95003-004642	Condenser components	1	
17	45005-000538	Motor bracket	1	
18	22011-000029	Electric reactor	1	
19	45014-005025	Electric reactor components	1	
20	11304-100142	Power supply terminal	1	
21	35005-000151	Terminal blocks	1	
22	42001-000106	Cable ramp	2	
23	92008-000116	Shut-off valve assembly	1	
24	41204-000020	Valve plate	1	
25	92007-020045	Shut-off valve assembly	1	

Exploded Views and Parts Listing

Model: TECR160J0T-LWL160

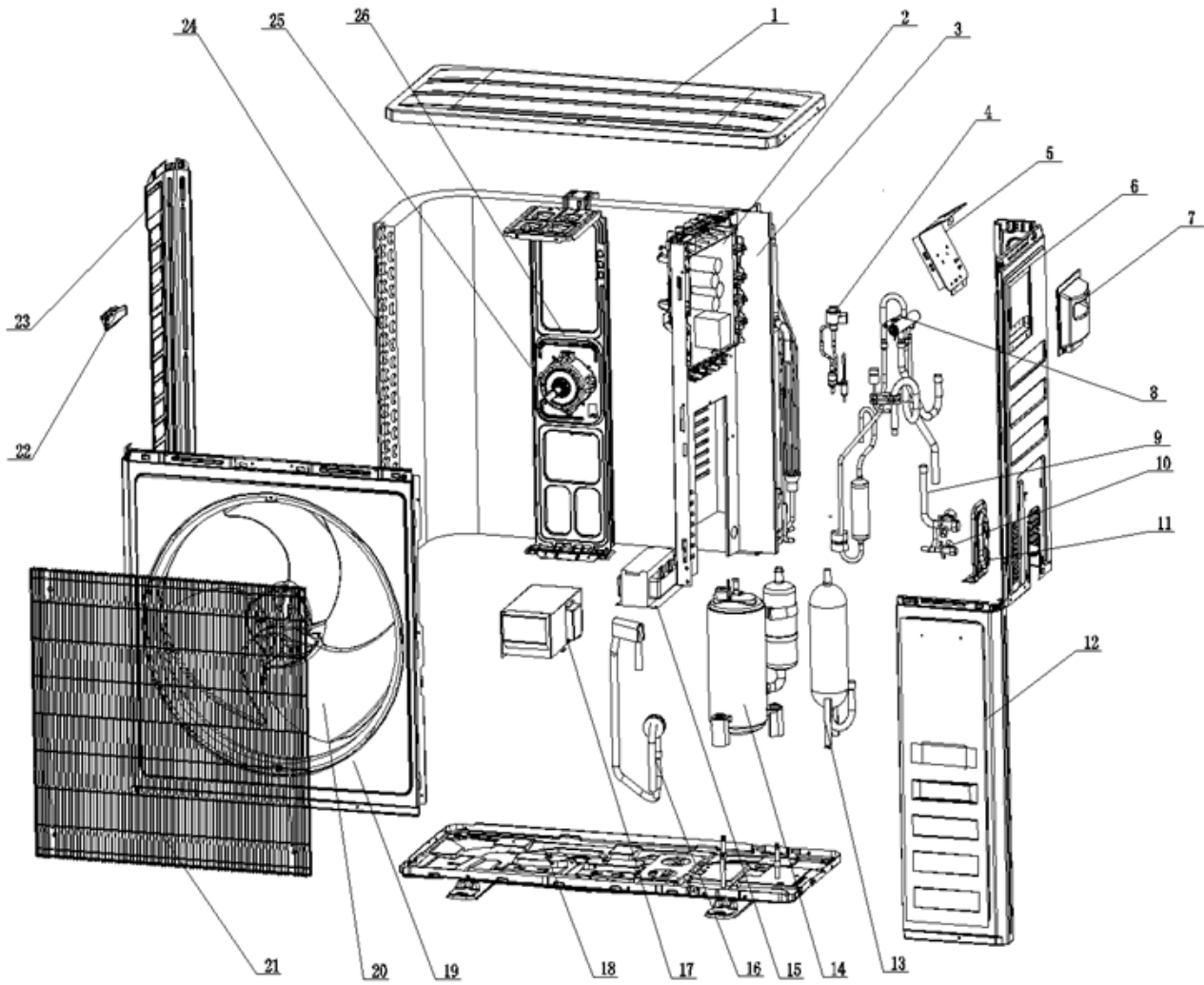


Model: TECR160J0T-LWL160

TECR160J0T-LWL160				
NO.	Code	Name	Qty	Note
1	45901-000102	5P Left & right plate assembly	1	
2	45901-000092	Front plate assembly	1	
3	45004-000537	Base board assembly	1	
4	45901-000095	Back plate assembly	1	
5	45901-000102	5P Left & right plate assembly	1	
6	45901-000035	Valve board	1	
7	45004-000326	base foam	1	
8	25006-000104	Water pump	1	
9	25001-000337	Brushless DC motor	1	
10	45009-000053	Centrifugal fan	1	
11	95003-004637	Evaporator assembly	1	
12	45014-004720	Hook fixture for evaporator	2	
13	45010-000247	Evaporator fixed plate assembly	1	
14	45011-000120	Drain pan	1	
15	45008-000369	Wind deflector	1	
16	35005-000114	Terminal	1	
16.1	35005-000074	Terminal	1	
17	35004-001819	Indoormain PCB	1	
18	45006-000399	Electric box	1	
19	45901-000098	Electrical box assembly	1	
20	35001-000374	Electric box cover	1	

Exploded Views and Parts Listing

Model: TCHB160J7T-LTL160



Model: TCHB160J7T-LTL160

TCHB160J7T-LTL160				
NO.	Code	Name	Qty	Note
1	45007-000096	Top cover	1	
2	31201-003118	Electrical components	1	
3	45014-005433	Bulkhead assembly (numerical)	1	
4	95015-002156	Electronic expansion valve assembly	1	
5	45006-001726	Electrical Mounting Plate	1	
6	45003-000325	Right back side plate	1	
7	41201-000001	Large handle assembly	1	
8	92007-021092	Four-way valve components	1	
9	92008-000116	Three-way valve components	1	
10	92007-020577	Shut-off valve assembly	1	
11	41204-000020	Valve plate	1	
12	45003-000342	Right front side plate	1	
13	92003-000196	Gas-liquid separator	1	
14	95017-000205	Compressor	1	
15	22011-000029	Electric reactor	1	
16	92007-021097	Air return module	1	
17	45014-005025	Electric reactor components	1	
18	41202-000656	Chassis components	1	
19	45013-000265	Front side plate	1	
20	45009-000093	Axial fan	1	
21	42011-000490	Out of the grille	1	
22	41201-000038	Small handle assembly	1	
23	45003-000343	Left plate component	1	
24	95003-004763	Condenser components	1	
25	25001-000415	Axial fan motor	1	
26	45005-000538	Motor bracket	1	