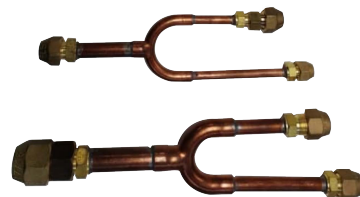
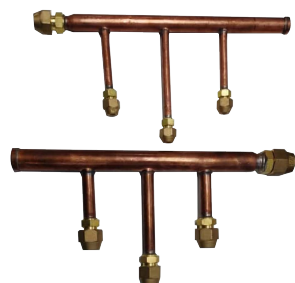
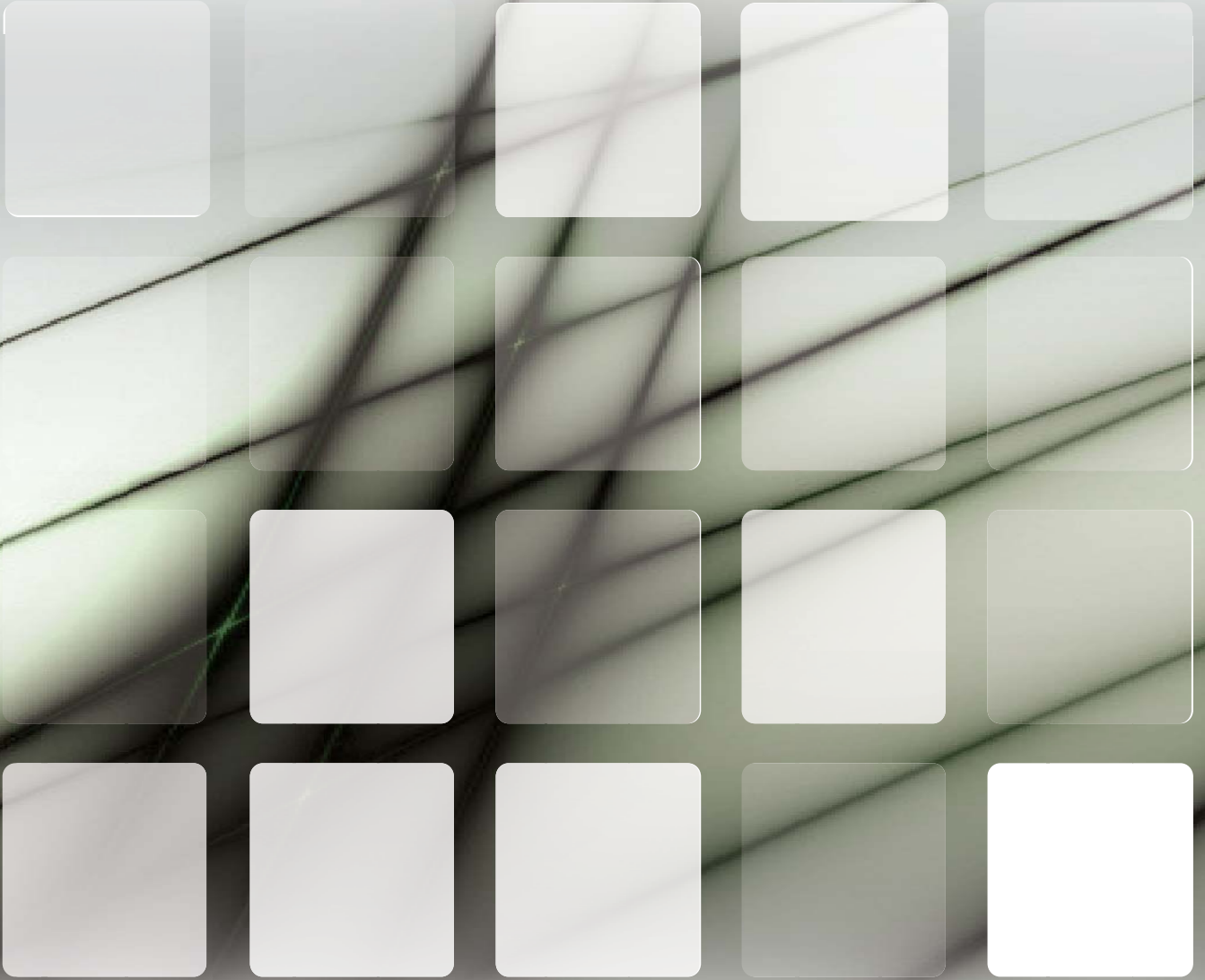


BABH Series

Indoor Branch Header

Technical Manual



INDOOR UNIT BRANCH HEADER INSTALLATION MANUAL

Thank you very much for purchasing our air conditioner. Before using your air conditioner, please read this manual carefully and keep it for future reference. This branch header can connect to Mini VRF only.

Branch List

Name	Gas side joints ($\Phi 5/8'' \rightarrow \Phi 1/2''$)	Liquid side joints ($\Phi 3/8'' \rightarrow \Phi 1/4''$)	Heat insulation material	Adaptor
BABH002NF-D2				$\Phi 1/4'' \rightarrow \Phi 3/8''$ (2 PC) $\Phi 1/2'' \rightarrow \Phi 5/8''$ (2 PC) $\Phi 5/8'' \rightarrow \Phi 3/4''$ (1 PC)
BABH003NF-D3				$\Phi 1/4'' \rightarrow \Phi 3/8''$ (3 PC) $\Phi 1/2'' \rightarrow \Phi 5/8''$ (3 PC) $\Phi 5/8'' \rightarrow \Phi 3/4''$ (1 PC)
BABH004NF-D4				$\Phi 1/4'' \rightarrow \Phi 3/8''$ (3 PC) $\Phi 1/2'' \rightarrow \Phi 5/8''$ (3 PC) $\Phi 5/8'' \rightarrow \Phi 3/4''$ (1 PC)
BABH005NF-D5				$\Phi 1/4'' \rightarrow \Phi 3/8''$ (2 PC) $\Phi 1/2'' \rightarrow \Phi 5/8''$ (2 PC) $\Phi 5/8'' \rightarrow \Phi 3/4''$ (1 PC)
BABH006-D6				$\Phi 1/4'' \rightarrow \Phi 3/8''$ (2 PC) $\Phi 1/2'' \rightarrow \Phi 5/8''$ (2 PC) $\Phi 5/8'' \rightarrow \Phi 3/4''$ (1 PC)

Model selection and fasten the nut

Please select and install the branch pipe and adaptor according to outdoor unit installation manual and actual installation conditions. Put the connecting tubing at the proper position, wrench the nuts with hands then fasten it with a wrench. (Refer to Fig.2)

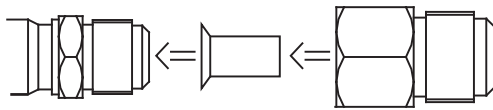


Fig.1

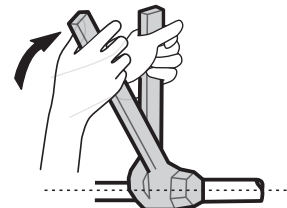


Fig.2

Installation Notices

1. Select the branch header according to downstream indoor unit capacity.
2. Take the BABH002NF-D2 gas side as an example, the operation steps are as follows:
 - The BABH002NF-D2 structure is displayed in Fig.3.
3. Restrictions of piping length and high/low difference. See Fig.4.
 - $b, c, d, e, f, g, h, i \leq 40m$.
 - The limitation of the pipes length, such as $L2+a, L2+L4+b, L2+L4+c, L3+i$, should follow the installation manual of the outdoor unit which connect with the branch header.
 - The limitation of height difference, such as $H1$, should follow the installation manual of the outdoor unit which connect with the branch header.

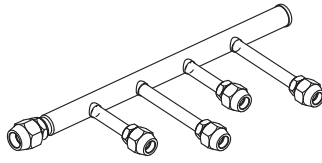


Fig.3

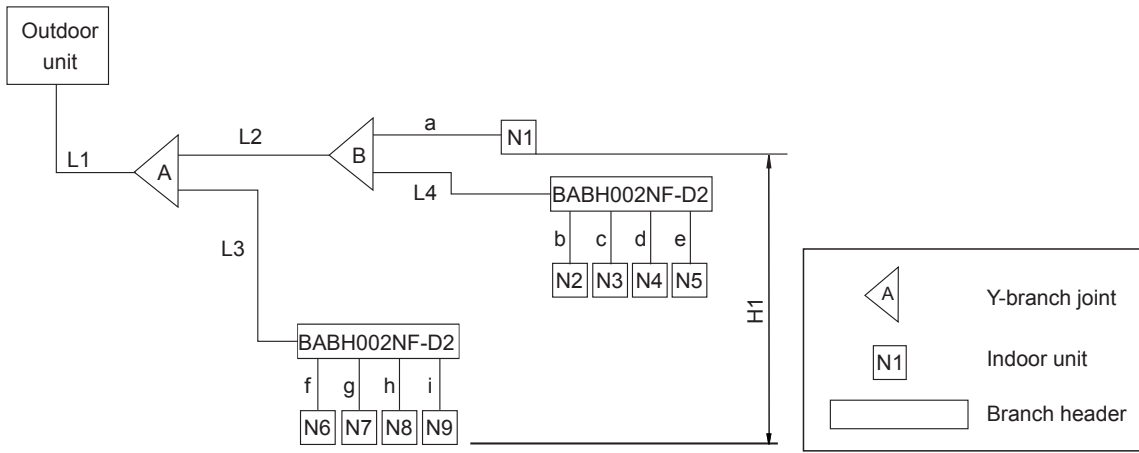


Fig.4

Installation Precaution

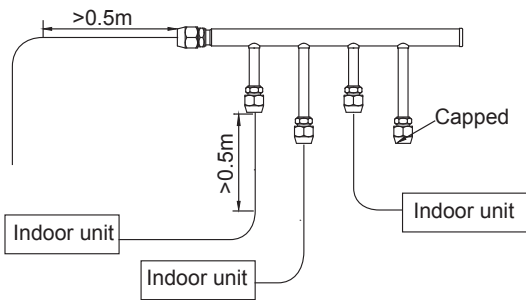


Fig.5

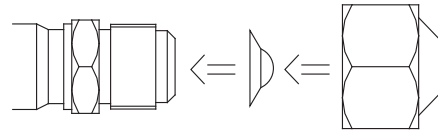


Fig.6

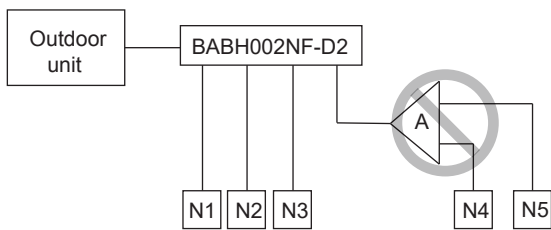


Fig.7

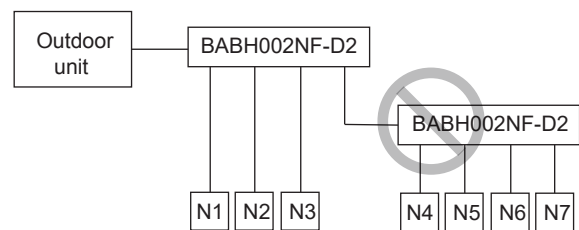
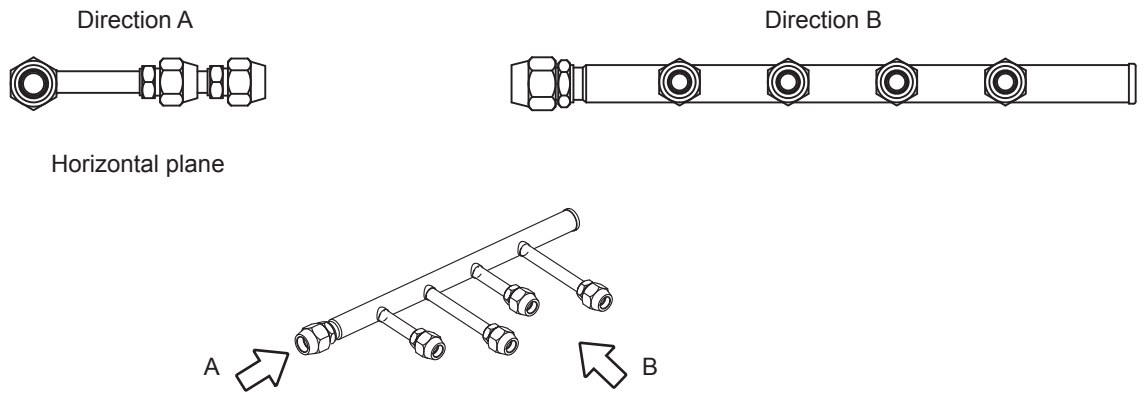


Fig.8

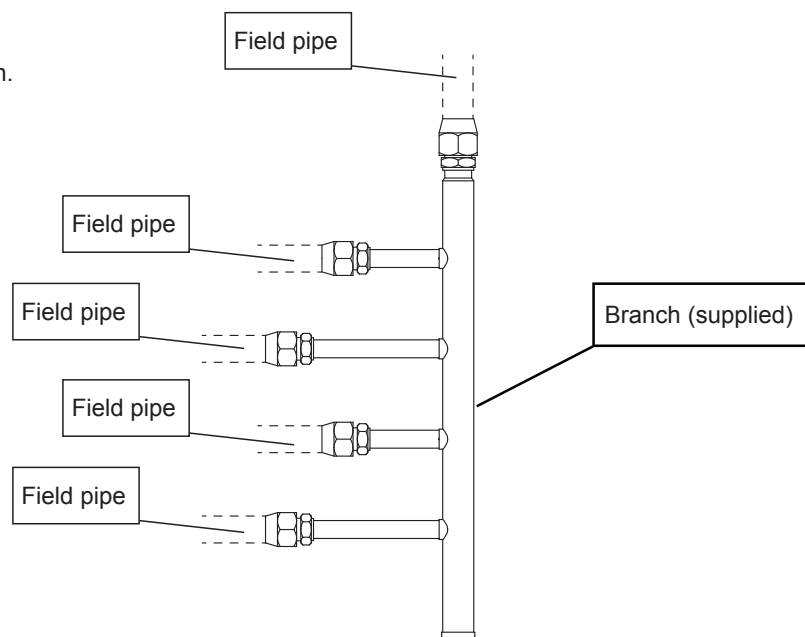
- The straight horizontal pipe's distance between two adjacent branch pipes should $\geq 0.5\text{m}$.
- The straight horizontal pipe's distance which indoor unit connecting behind the branch pipe should $\geq 0.5\text{m}$.
- For unused branch pipe, the pipe orifice should be sealed see fig.6.
- Each branch can connect one indoor unit only see fig.7; it cannot connect to another branch joint see fig.8.

Horizontally Placing Branch Pipe

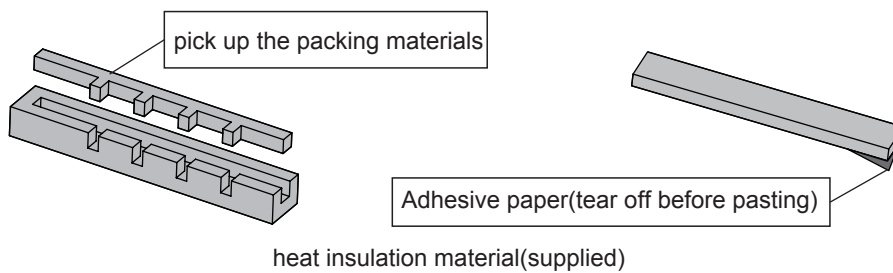


Heat insulation

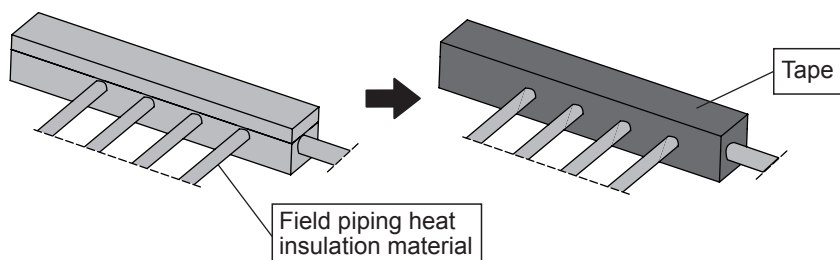
Be sure to insulate the branches
1. Example of connected branch.



2. Use the supplied heat insulation material to insulate the branches.



3. Apply the heat insulation material and seal all connections with tape.





OMEGA
ENVIRONMENTAL
TECHNOLOGIES LLC.

17702 Mitchell North, #101
Irvine, CA. 92614 .USA
Tel: 714 795 2830
Fax: 714 966 1646
info@otecomega.com
www.otecomega.com

OTECTM
AIR CONDITIONING

Showroom & Technology Center
11380 Interchange Circle North
Miramar, FL 33025 .USA
Tel: 305 901 1270
Fax: 954 212 8280
info@otecvrf.com
www.otecvrf.com

BABHCM-TM1D1220