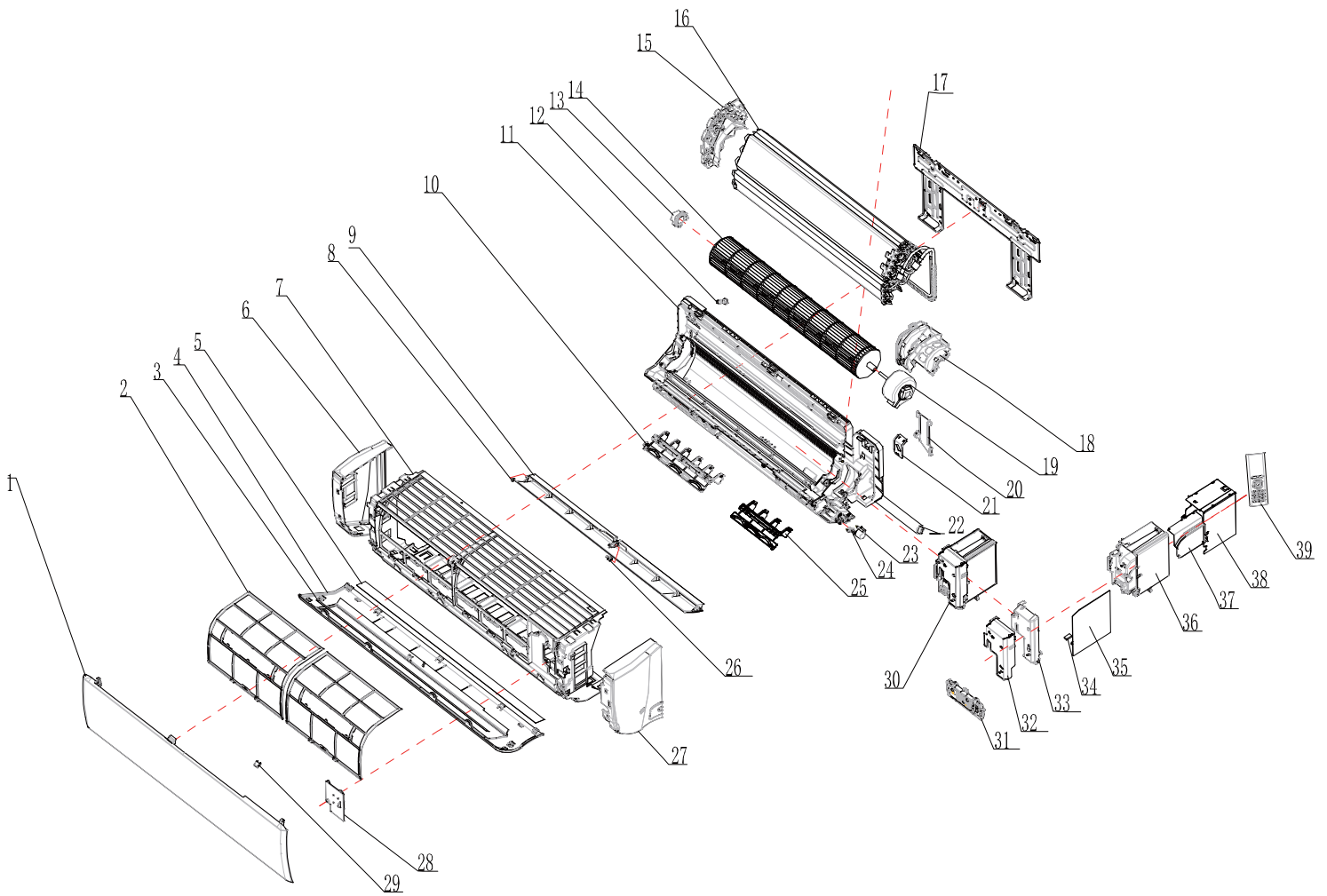


# 1. Exploded Views and Parts List

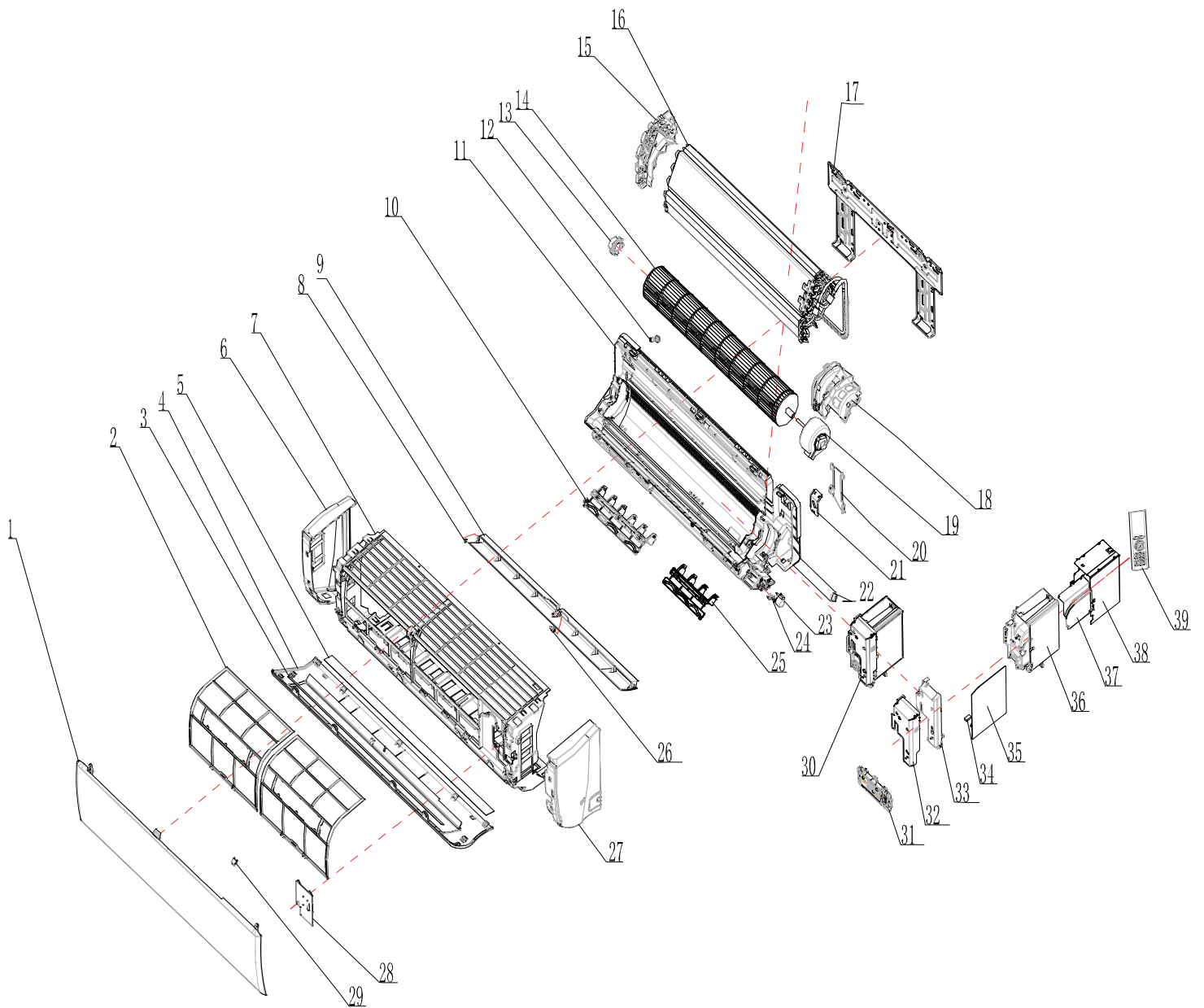
## 1.1 Indoor Unit

IEWV009I3A-YWI022



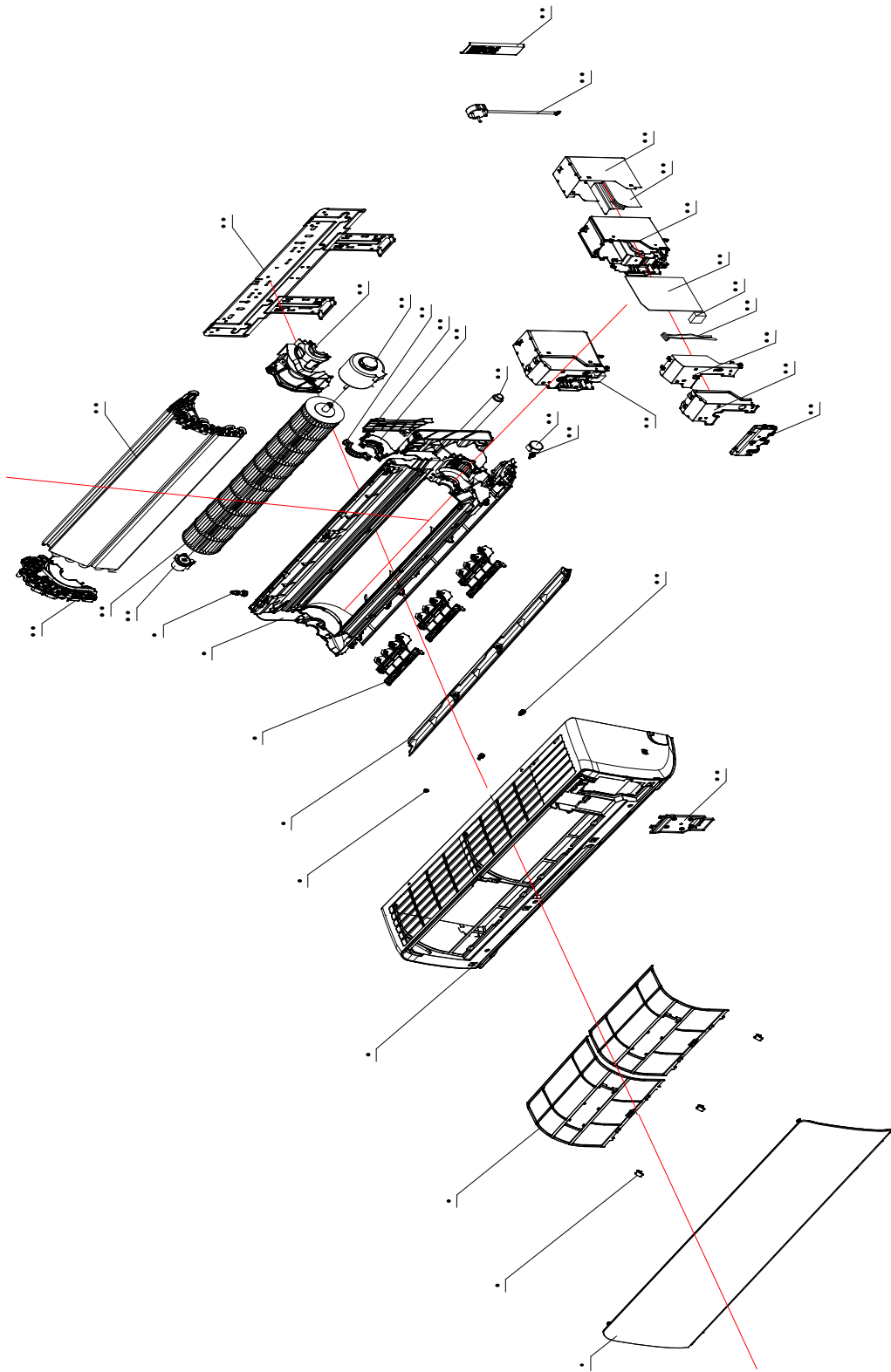
No.	Description	Part Code		Qty
		IEWV009I3A-YWI022		
		KEB001N2710		
1	panel	K20000008T		1
2	filter subassembly	K15420004		2
3	air outlet	K11260002		1
4	flannelette strip	K15810015		1
5	flannelette strip	K15810017		1
6	panel	K20000113		1
7	left side plate	K21420003		1
8	left axle bush	K15210001		1
9	air louver	K15200039		1
10	swing louver 1	K15200004		1
11	chassis subassembly	K21400028		1
12	water pan rubber	K62600006		1
13	bearing rubber ring subassembly	K62400002		1
14	cross-flow fan	K15020002		1
15	evaporator angular carriage	K21800006		1
16	evaporator assembly	K10200031		1
17	wall frame	K10450006		1
18	fan motor clamp board	K22020003		1
19	fan motor	K16800001		1
20	connction pipe pressed plate	K22020001		1
21	drain pipe	K1301000101		1
22	step motor	K17000001		1
23	crank	K61200001		1
24	swing louver 2	K15200005		1
25	axile bush	K15210002		1
26	right side plate	K21420004		1
27	electrical box cover 2 subassembly	K10553000		1
28	screw cap	K21830002		1
29	electrical box assembly	K11800312		1
30	display board	K21610033		1
31	electrical box cover 1 shielding cover	K20400009		1
32	electrical box cover 1	K20400008		1
33	tempreature sensor	K33000001		1
34	jumper wire cap	K3361000310		1
35	main board	K50102204		1
36	electrical box	K20400040		1
37	electrical box shielding cover 2	K10450020		1
38	electrical box shielding cover 1	K20400013		1
39	remote controller	K30400058		1

IEWV012I3A-YWI036



No.	Description	Part Code	Qty
		IEWV012I3A-YWI036	
		Product Code	
		KEB001N2750	
1	panel	K20000001T	1
2	filter subassembly	K15420003	2
3	air outlet	K15810040	1
4	flannelette strip	K1126000101	1
5	flannelette strip	K15810015	1
6	panel	K21420002	1
7	left side plate	K20000003	1
8	left axle bush	K15210001	1
9	air louver	K15200001	1
10	swing louver 1	K15200002	1
11	chassis subassembly	K21400002	1
12	water pan rubber	K62600006	1
13	bearing rubber ring subassembly	K62400002	1
14	cross-flow fan	K15020001	1
15	evaporator angular carriage (original color)	K21800002	1
16	evaporator assembly	K10200029Y01	1
17	wall frame	K10450001	1
18	fan motor clamp board (original color)	K22020002	1
19	fan motor	K16800002	1
20	connction pipe pressed plate (gray)	K22020001	1
21	guard plate	K13200011	1
22	drain pipe	K1301000102	1
23	step motor MP24BJ-A2	K17000002	1
24	crank (key color)	K61200001	1
25	swing louver 2 (dark gray)	K15200003	1
26	axile bush	K15210002	1
27	right side plate	K21420001	1
28	electrical box cover 2 subassembly	K10553000	1
29	screw cap	K21830001	1
30	electrical box assembly	K11800314	1
31	display board	K21610033	1
32	electrical box cover 1 shielding cover	K20400009	1
33	electrical box cover 1 (dark gray)	K20400008	1
34	jumper wire cap	K3361000313	1
35	main board	K50102205	1
36	electrical box (dark gray)	K20400040	1
37	electrical box shielding cover 2	K10450020	1
38	electrical box shielding cover 1	K20400013	1
39	remote controller	K30400058	1

# IEWV018(24)I3A-YWH056(71)

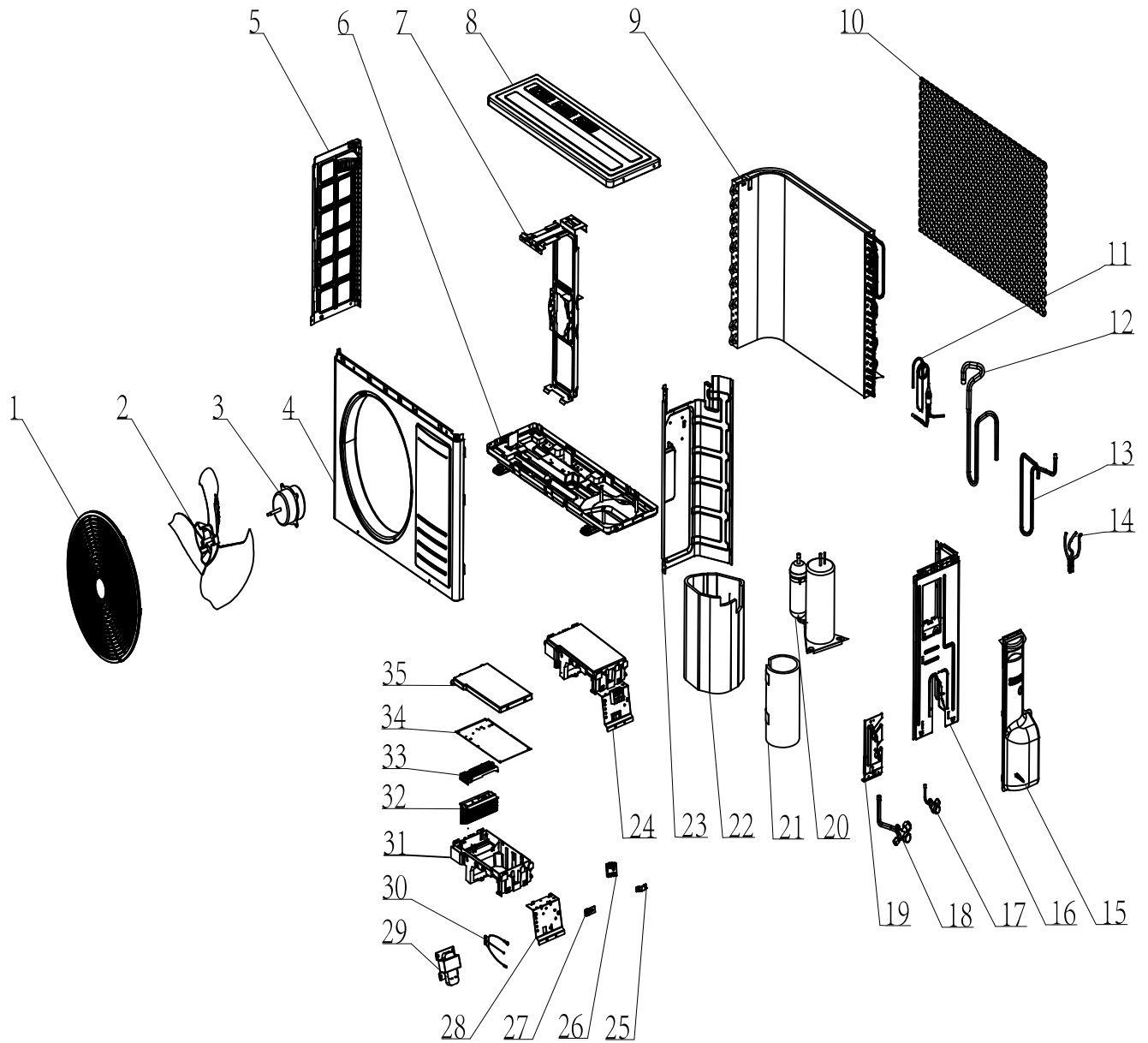


No.	Description	Part Code	Qty
		IEWV018I3A-YWH056	
		Product Code	
		KEB001N2760	
1	panel	K20000013T	1
2	screw cap	K21830003	3
3	filter subassembly	K15420006	2
4	panel	K2000001001	1
5	left axle bush	K15210001	1
6	air louver	K15200008	1
7	swing louver	K15200007	3
8	chassis subassembly	K21400005	1
9	water pan rubber	K62600006	1
10	bearing rubber ring subassembly	K62400004	1
11	cross-flow fan	K15020003	1
12	evaporator angular carriage	K21800004	1
13	evaporator assembly	K10200006	1
14	wall frame	K10450017	1
15	fan motor clamp board	K22020004	1
16	fan motor	K16800003	1
17	fan motor clamp board	K61000009	1
18	connection pipe pressed plate	K12220031	1
19	motor stand	K61000008	1
20	drain pipe	K1301000103	1
21	step motor	K17000003	1
22	crank	K61200001	2
23	axle bush	K15210002	1
24	electrical box cover 2 subassembly	K20400022	1
25	electrical box assembly	K11800358	1
26	display board	K21610033	1
27	electrical box cover shielding cover	K20400020	1
28	electrical box cover	K20400019	1
29	temperature sensor	K33000001	1
30	jumper wire cap	K3361000323	1
31	main board	K50102206	1
32	electrical box	K20400041	1
33	electrical box shielding cover 2	K20400018	1
34	electrical box shielding cover 1	K20400017	1
35	power line	K3322000201	1
36	remote controller	K30400058	1

No.	Description	Part Code	Qty
		IEWV024I3A-YWH071	
		Product Code KEB001N2770	
1	panel	K20000013T	1
2	screw cap	K21830003	3
3	filter subassembly	K15420006	2
4	panel	K2000001001	1
5	left axle bush	K15210001	1
6	air louver	K15200008	1
7	swing louver	K15200007	3
8	chassis subassembly	K21400005	1
9	water pan rubber	K62600006	1
10	bearing rubber ring subassembly	K62400004	1
11	cross-flow fan	K15020003	1
12	evaporator angular carriage	K21800004	1
13	evaporator assembly	K10200009Y	1
14	wall frame	K10450017	1
15	fan motor clamp board	K22020004	1
16	fan motor	K16800003	1
17	fan motor clamp board	K61000009	1
18	connction pipe pressed plate	K22020005	1
19	motor stand	K61000008	1
20	drain pipe	K1301000103	1
21	step motor	K17000003	1
22	crank	K61200001	2
23	axile bush	K15210002	2
24	electrical box cover 2 subassembly	K20400022	1
25	electrical box assembly	K11800359	1
26	display board	K21610033	1
27	electrical box cover shielding cover	K20400020	1
28	electrical box cover	K20400019	1
29	temperature sensor	K33000001	1
30	jumper wire cap	K3361000324	1
31	main board	K50102206	1
32	electrical box	K20400041	1
33	electrical box shielding cover 2	K20400018	1
34	electrical box shielding cover 1	K20400017	1
35	power line	K3322000202	1
36	remote controller	K30400058	1

## 1.2 Outdoor Unit

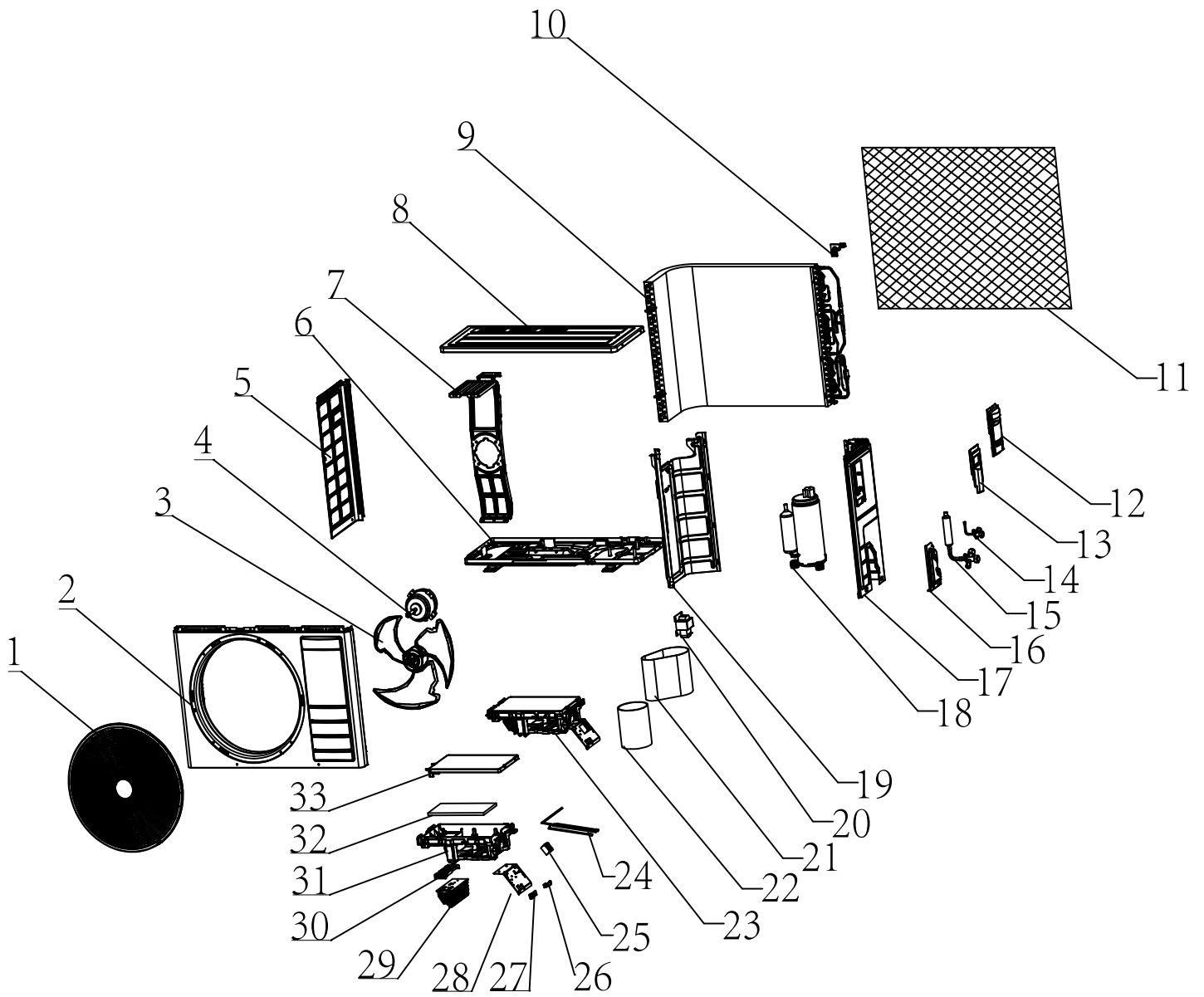
ICHV009(12)I3A-YSI022(36)





No.	Description	Part Code	Qty
		ICHV009(12)I3A-YSI022(36)	
		Product Code	
		KEB001W0610	
1	grill (apricot grey)	K21600001	1
2	axial flow fan (original color)	K15010001	1
3	ODU fan motor	K1680000501	1
4	front panel (apricot grey)	K11010001P	1
5	left side panel	K10600067	1
6	chassis subassembly	K10400091P	1
7	motor support	K1120002802	1
8	top cover (apricot grey)	K10450004P	1
9	condenser assembly	K10300172	1
10	mesh (plastic)	K10860001	1
11	capillary subassembly	K12000153	1
12	suction pipe subassembly	K12640096	1
13	discharge pipe	K12610188	1
14	wiring (compressor)	K33200009	1
15	connecting screw cover (apricot grey) (export)	K22210002	1
16	right side panel (apricot grey)	K1060000101P	1
17	small stop valve	K1420000103	1
18	big stop valve	K1420000203	1
19	valve support (apricot grey)	K1120000201P	1
20	compressor and accessory	K10000105	1
21	noise-absorption sponge (inside)	K61410056	1
22	noise-absorption sponge (outside)	K61410015	1
23	Partition board subassembly	K10440035	1
24	Electric Box assembly	K11800313	1
25	wire fix clamp	K61000003	1
26	wiring board	K33600008	1
27	insulation gasket	K60600004	1
28	wiring board support	K11230025	1
29	reactor	K34020001	1
30	temp sensor	K33000003	1
31	Electric Box	K20400006	1
32	radiator	K34810003	1
33	module support	K22240001	1
34	main board	K30050115	1
35	electric box cover	K20400014	1

ICHV018(24)I3A-YSI056(71)



No.	Description	Part Code	Qty
		ICHV018(24)I3A-YSH056(71)	
		Product Code KEB001W0620	
1	grill (apricot grey)	K21600005	1
2	front panel (apricot grey)	K11010007P	1
3	axial flow fan (original color)	K15010005	1
4	ODU fan motor	K16800026	1
5	left side panel (apricot grey)	K10600031P	1
6	chassis subassembly	K10400099P	1
7	motor support subassembly	K1120001701	1
8	top cover (apricot grey) (english)	K10450034P	1
9	condenser assembly	K10300191	1
10	temp sensor support	K61000007	1
11	mesh	K10860016	1
12	big handle (apricot grey)	K22210001	1
13	big handle guard board	K10620001	1
14	small stop valve	K1420000307	1
15	big stop valve	K1420000603	1
16	valve support subassembly	K11200007P	1
17	right side panel (apricot grey)	K1060003201P	1
18	compressor and accessory	K10000107	1
19	Partition board subassembly	K10440028	1
20	reactor	K34020003	1
21	noise-absorption sponge (outside)	K61410028	1
22	noise-absorption sponge (inside)	K61410027	1
23	Electric Box assembly	K11800360	1
24	temp sensor	K33000003	1
25	wiring board	K33600008	1
26	wire fix clamp	K61000003	1
27	insulation gasket	K60600004	1
28	wiring board support	K1123000501A	1
29	radiator	K34810008	1
30	module support	K22240002	1
31	Electric Box	K20400028	1
32	main board	K30050116	1
33	electric box cover	K20400029	1



**OMEGA**  
ENVIRONMENTAL  
TECHNOLOGIES LLC.

17702 Mitchell North, #101  
Irvine, CA. 92614 .USA  
Tel: 714 795 2830  
Fax: 714 966 1646  
info@otecomega.com  
www.otecomega.com

**OTEC**<sup>TM</sup>  
AIR CONDITIONING

**Showroom & Technology Center**  
11380 Interchange Circle North  
Miramar, FL 33025 .USA  
Tel: 305 901 1270  
Fax: 954 212 8280  
info@otecvrf.com  
www.otecvrf.com

IEWV(CHV)J3A-SP1Y0622