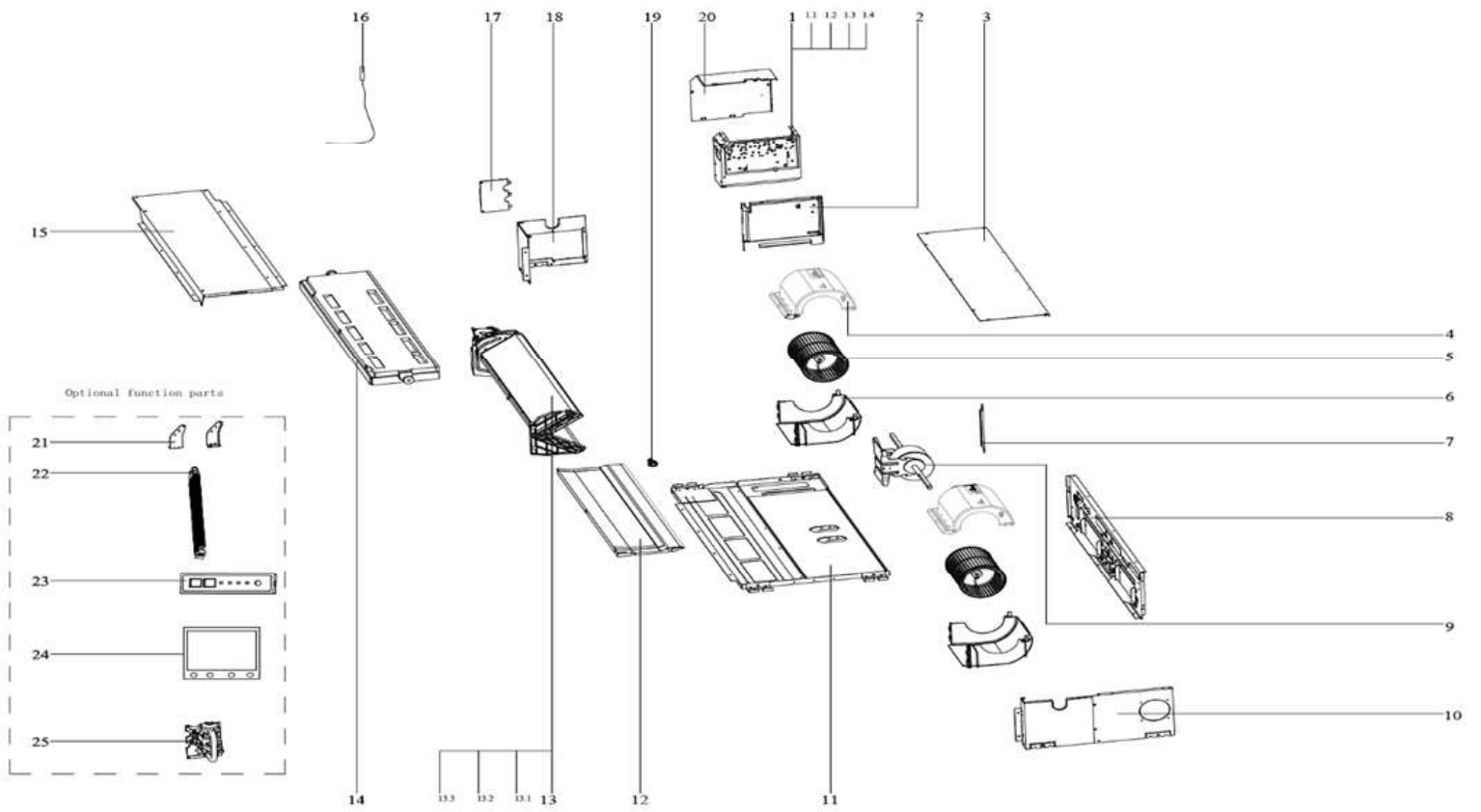


Exploded Views and Parts List.

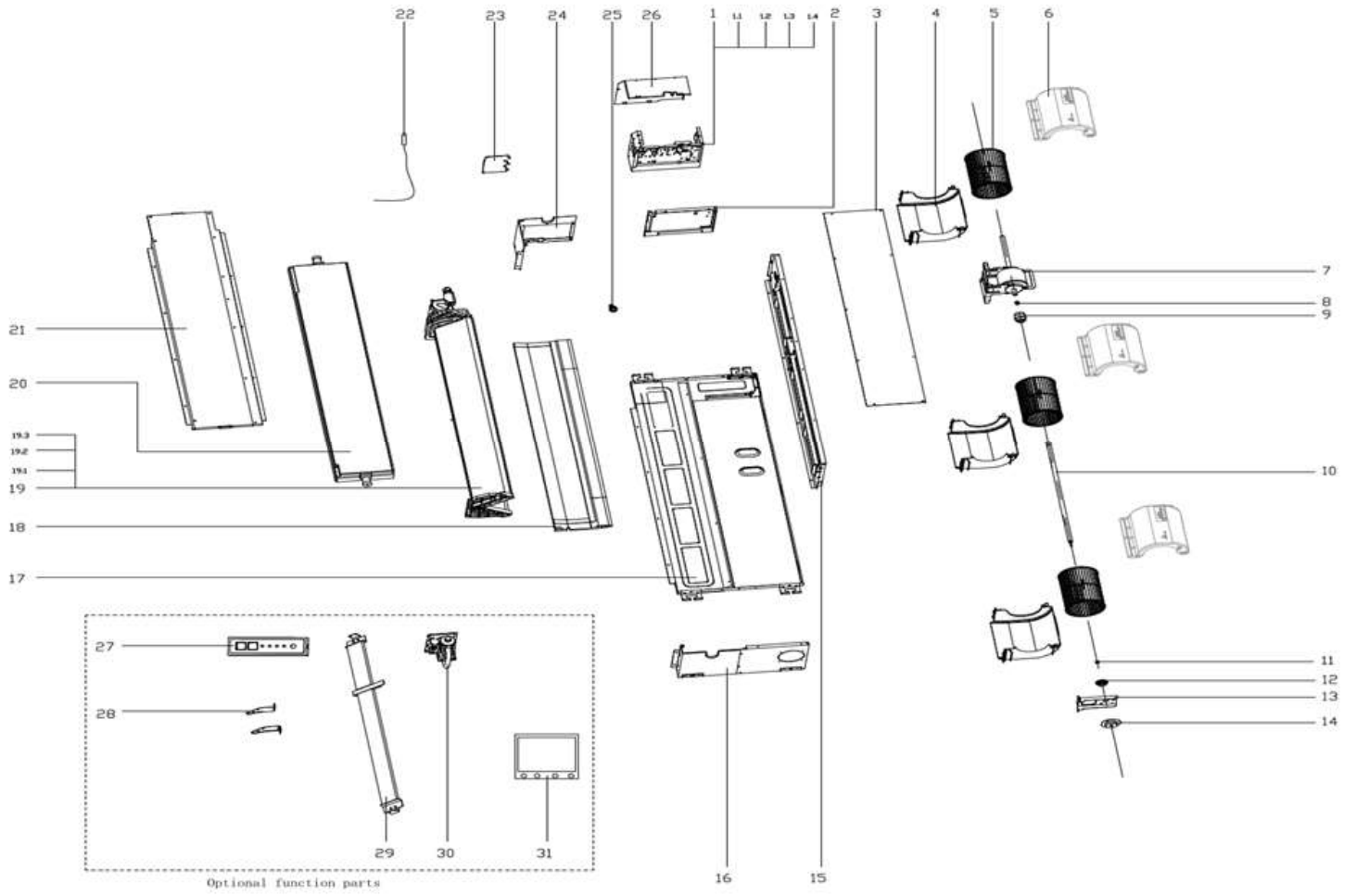
Indoor Unit Model: IEMP018J3A-DCG053



Model: IEMP018J3A-DCG053

No.	OMEGA Model	Part No.	Description	Qty.
1	IEMP018J3A-DCG053	17223000A05979	E-part box assembly	1
1.1	IEMP018J3A-DCG053	17123000006751	Indoor unit main control board	1
1.2	IEMP018J3A-DCG053	11203103000260	Transformer	1
1.3	IEMP018J3A-DCG053	17400401000197	Wire joint	1
1.4	IEMP018J3A-DCG053	17400101000056	Fan motor capacitor	1
2	IEMP018J3A-DCG053	12223000001253	Right,rear clapboard assembly	1
3	IEMP018J3A-DCG053	12223000001354	Rear cover subassembly	1
4	IEMP018J3A-DCG053	12123000000027	top volute	2
5	IEMP018J3A-DCG053	12100103000685	Centrifugal fan	2
6	IEMP018J3A-DCG053	12123000000023	bottom volute	2
8	IEMP018J3A-DCG053	12223000012628	Front beam assembly	1
9	IEMP018J3A-DCG053	11002012036554	Single phase asynchronous motor	1
10	IEMP018J3A-DCG053	12223000001266	Left clapboard subassembly	1
11	IEMP018J3A-DCG053	12223000008488	Chassis ass	1
12	IEMP018J3A-DCG053	12823000000020	Chassis foam	1
13	IEMP018J3A-DCG053	15823000004143	Evaporator assembly	1
13.1	IEMP018J3A-DCG053	15423000004319	Evaporator input pipe assembly	1
13.2	IEMP018J3A-DCG053	15423000000227	Evaporator outlet pipe subassembly	1
13.3	IEMP018J3A-DCG053	11201007000094	Pipe Temp. sensor ass'y	1
14	IEMP018J3A-DCG053	12823000000022	Drain pan foam	1
15	IEMP018J3A-DCG053	12223000001349	Top cover subassembly	1
16	IEMP018J3A-DCG053	11201007003783	Room temperature sensor	1
17	IEMP018J3A-DCG053	12223000008428	Pipe clamp board subassembly	1
18	IEMP018J3A-DCG053	12223000001268	Right clapboard subassembly	1
19	IEMP018J3A-DCG053	12100509000117	Connecting pipe	1
20	IEMP018J3A-DCG053	12223000004387	Cover of electronic control box subassembly	1
23	IEMP018J3A-DCG053	17226000004241	VRF IDU display box assembly	1
24	IEMP018J3A-DCG053	17317100A28001	Wired controller	1

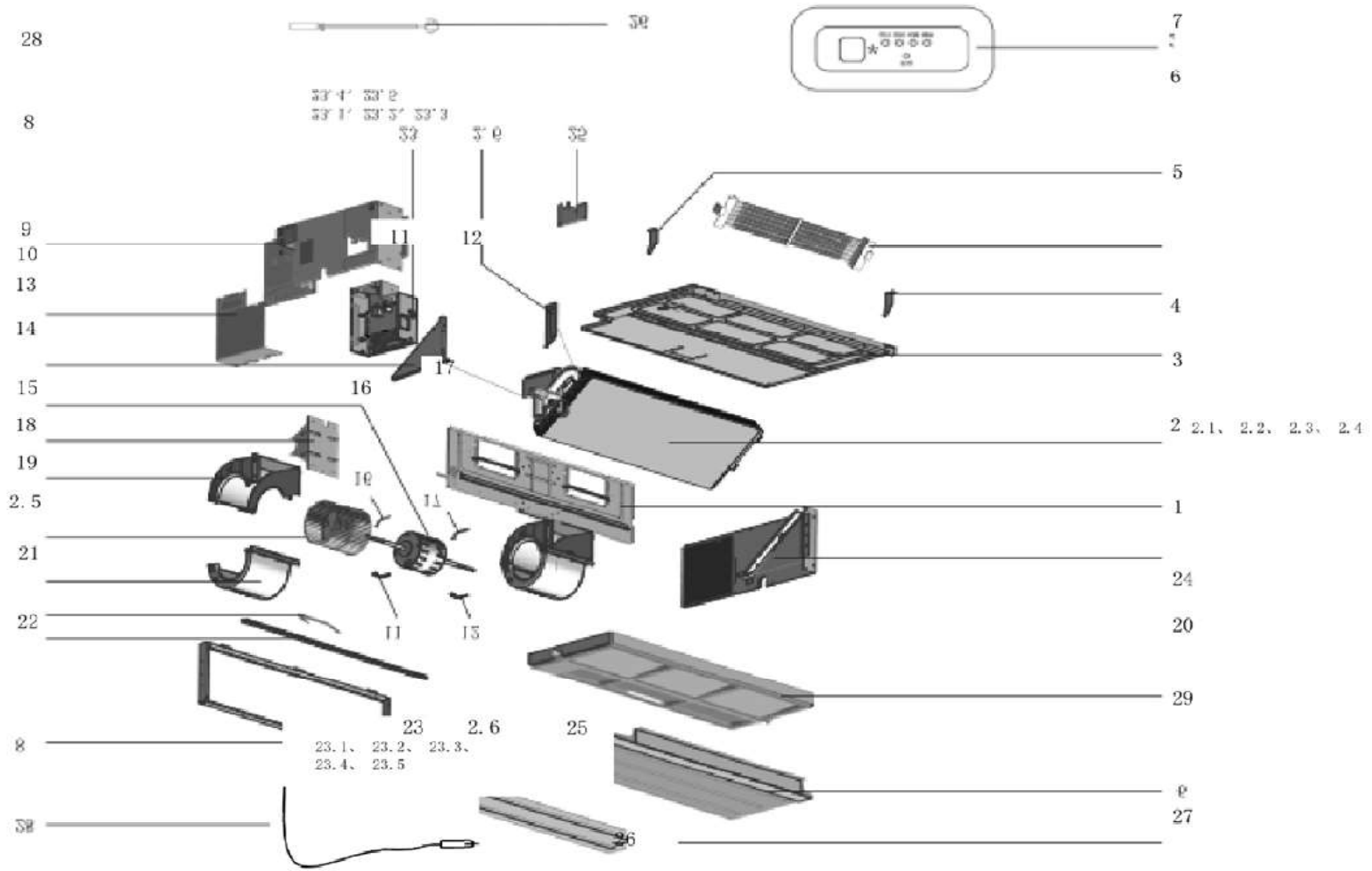
Indoor Unit Model: IEMP024J3A-DCG071



Model: IEMP024J3A-DCG071

No.	OMEGA Model	Part No.	Description	Qty.
1	IEMP024J3A-DCG071	17223000A05980	E-part box assembly	1
1.1	IEMP024J3A-DCG071	17123000006741	Indoor unit main control board	1
1.2	IEMP024J3A-DCG071	17400101000056	Fan motor capacitor	1
1.3	IEMP024J3A-DCG071	17400401000197	Wire joint	1
1.4	IEMP024J3A-DCG071	17400101000056	Fan motor capacitor	1
2	IEMP024J3A-DCG071	12223000001253	Right, rear clapboard assembly	1
3	IEMP024J3A-DCG071	12223000001362	Rear cover subassembly	1
4	IEMP024J3A-DCG071	12123000000023	bottom volute	3
5	IEMP024J3A-DCG071	12100103000685	Centrifugal fan	3
6	IEMP024J3A-DCG071	12123000000027	top volute	3
7	IEMP024J3A-DCG071	11002012028205	Single phase asynchronous motor	1
8	IEMP024J3A-DCG071	12600401000652	Rubber Pad for Intermediate Shaft	1
9	IEMP024J3A-DCG071	12918000001320	Coupling	1
10	IEMP024J3A-DCG071	12900601000009	Connecting shaft	1
11	IEMP024J3A-DCG071	12122000007617	Bearing	1
12	IEMP024J3A-DCG071	12623000000054	bearing block	1
13	IEMP024J3A-DCG071	12223000006288	Support Plate	1
14	IEMP024J3A-DCG071	12223000004043	Pipe clamp board	1
15	IEMP024J3A-DCG071	12223000008491	Front beam assembly	1
16	IEMP024J3A-DCG071	12223000001266	Left clapboard subassembly	1
17	IEMP024J3A-DCG071	12223000008487	chassis ass	1
18	IEMP024J3A-DCG071	12826000000031	Chassis foam	1
19	IEMP024J3A-DCG071	15823000004146	Evaporator assembly	1
19.1	IEMP024J3A-DCG071	15423000004319	Evaporator input pipe assembly	1
19.2	IEMP024J3A-DCG071	15423000000254	Evaporator outlet pipe subassembly	1
19.3	IEMP024J3A-DCG071	11201007000094	Pipe Temp. sensor ass'y	1
20	IEMP024J3A-DCG071	12826000000032	water butt dish foam	1
21	IEMP024J3A-DCG071	12223000008608	Top cover assembly	1
22	IEMP024J3A-DCG071	11201007003783	Room temperature sensor	1
23	IEMP024J3A-DCG071	12223000008428	Pipe clamp board subassembly	1
24	IEMP024J3A-DCG071	12223000001252	Right clapboard subassembly	1
25	IEMP024J3A-DCG071	12100509000117	Connecting pipe	1
26	IEMP024J3A-DCG071	12223000004387	Cover of electronic control box subassembly	1
27	IEMP024J3A-DCG071	17226000004241	VRF IDU display box assembly	1
30	IEMP024J3A-DCG071	17400802000573	Drain pump assembly	1
31	IEMP024J3A-DCG071	17317100A28001	Wired controller	1

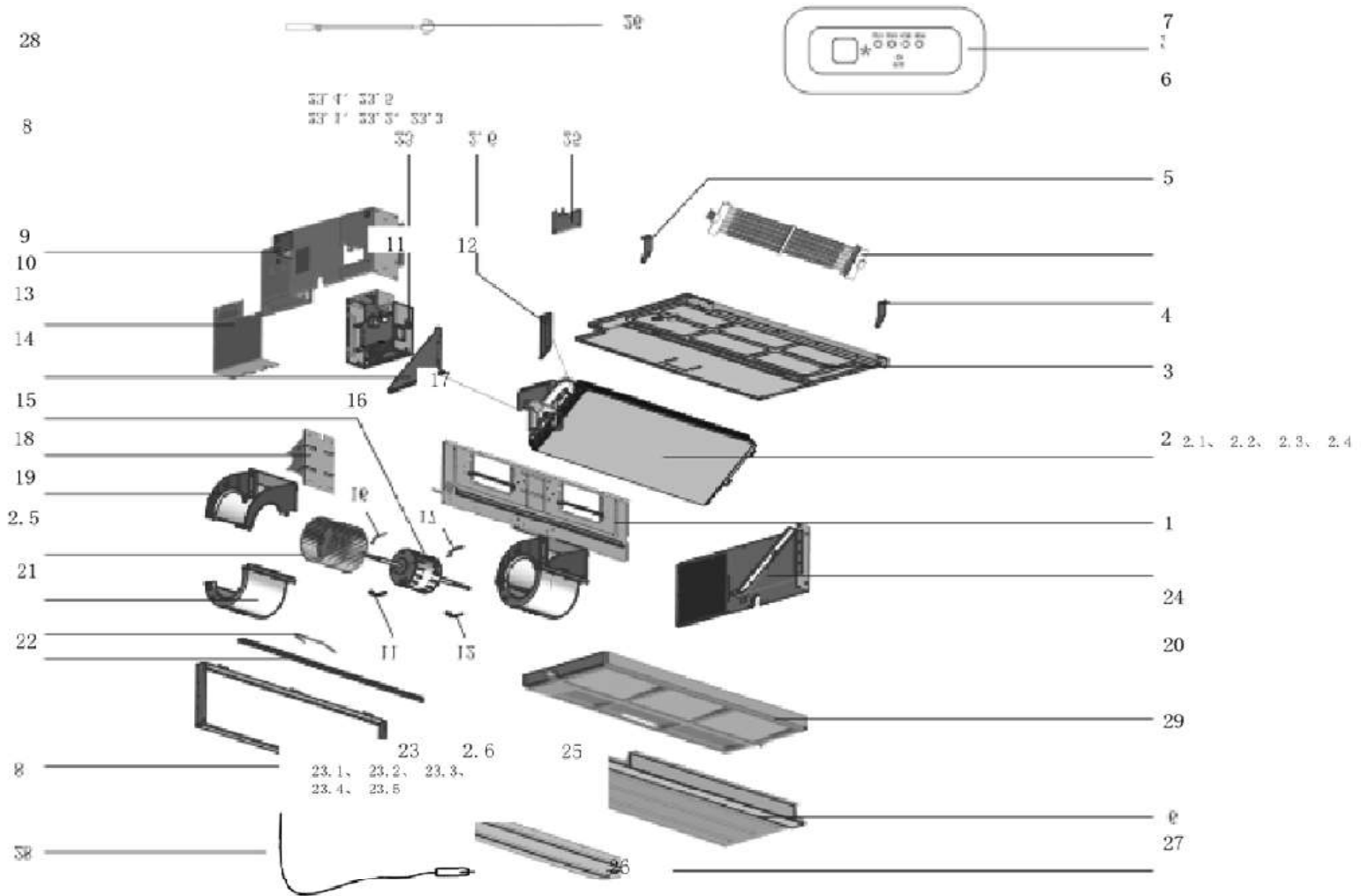
Indoor Unit Model: IEMP036J3A-DCG105



Model: IEMP036J3A-DCG105

No.	OMEGA Model	Part No.	Description	Qty.
1	IEMP036J3A-DCG105	12223000001471	Chassis assembly	1
2	IEMP036J3A-DCG105	15823000005181	Evaporator ass'y	1
2.1	IEMP036J3A-DCG105	15823000002802	Evaporator	1
2.2	IEMP036J3A-DCG105	15423000004958	Evaporator output pipe assembly	1
2.3	IEMP036J3A-DCG105	15423000005058	Evaporator input pipe assembly	1
2.4	IEMP036J3A-DCG105	11201007000113	Pipe Temperature Sensor	1
2.5	IEMP036J3A-DCG105	12226000004360	Supporting board assembly, evaporator	1
2.6	IEMP036J3A-DCG105	12223000000110	Right clapboard strengthen board	1
3	IEMP036J3A-DCG105	12226000000437	Beam assembly	1
4	IEMP036J3A-DCG105	12223000001290	Left clapboard subassembly	1
5	IEMP036J3A-DCG105	12826200000027	Water collector assembly	1
6	IEMP036J3A-DCG105	12223000000201	Top cover subassembly	1
7	IEMP036J3A-DCG105	12223000001658	Rear cover subassembly	1
8	IEMP036J3A-DCG105	12223000000456	Right clapboard subassembly	1
9	IEMP036J3A-DCG105	12223000000267	Right clapboard	1
10	IEMP036J3A-DCG105	122230000007127	Waterproof board	1
11	IEMP036J3A-DCG105	12223000000530	Fan motor cover	1
12	IEMP036J3A-DCG105	12223000000529	Fan motor cover	1
13	IEMP036J3A-DCG105	12123000000022	bottom volute	2
14	IEMP036J3A-DCG105	12100103000079	centrifuge fan	2
15	IEMP036J3A-DCG105	12123000000024	top volute	2
16	IEMP036J3A-DCG105	12223000000532	Fan motor cover	1
17	IEMP036J3A-DCG105	12223000000531	Fan motor cover	1
18	IEMP036J3A-DCG105	12226000000367	Motor bracket assembly	1
19	IEMP036J3A-DCG105	11002012000470	Asynchronous motor	1
21	IEMP036J3A-DCG105	12223000004648	Electric control box cover assembly	1
22	IEMP036J3A-DCG105	12223000001294	Right clapboard assembly	1
23	IEMP036J3A-DCG105	17223000A06002	E-part box assembly	1
23.1	IEMP036J3A-DCG105	12226000005058	Electronic control box	1
23.2	IEMP036J3A-DCG105	17400401001516	Wire joint	1
23.3	IEMP036J3A-DCG105	17126000A04269	Indoor unit main control board	1
23.4	IEMP036J3A-DCG105	17400401000188	Wire joint	1
23.5	IEMP036J3A-DCG105	17400103000154	Capacitor of compressor	1
25	IEMP036J3A-DCG105	12223000000524	Pipe clamp board subassembly	1
26	IEMP036J3A-DCG105	11201007000102	Room temperature sensor	1
27	IEMP036J3A-DCG105	17226000004241	VRF IDU display box assembly	1
28	IEMP036J3A-DCG105	12223000001576	Connecting plate	1

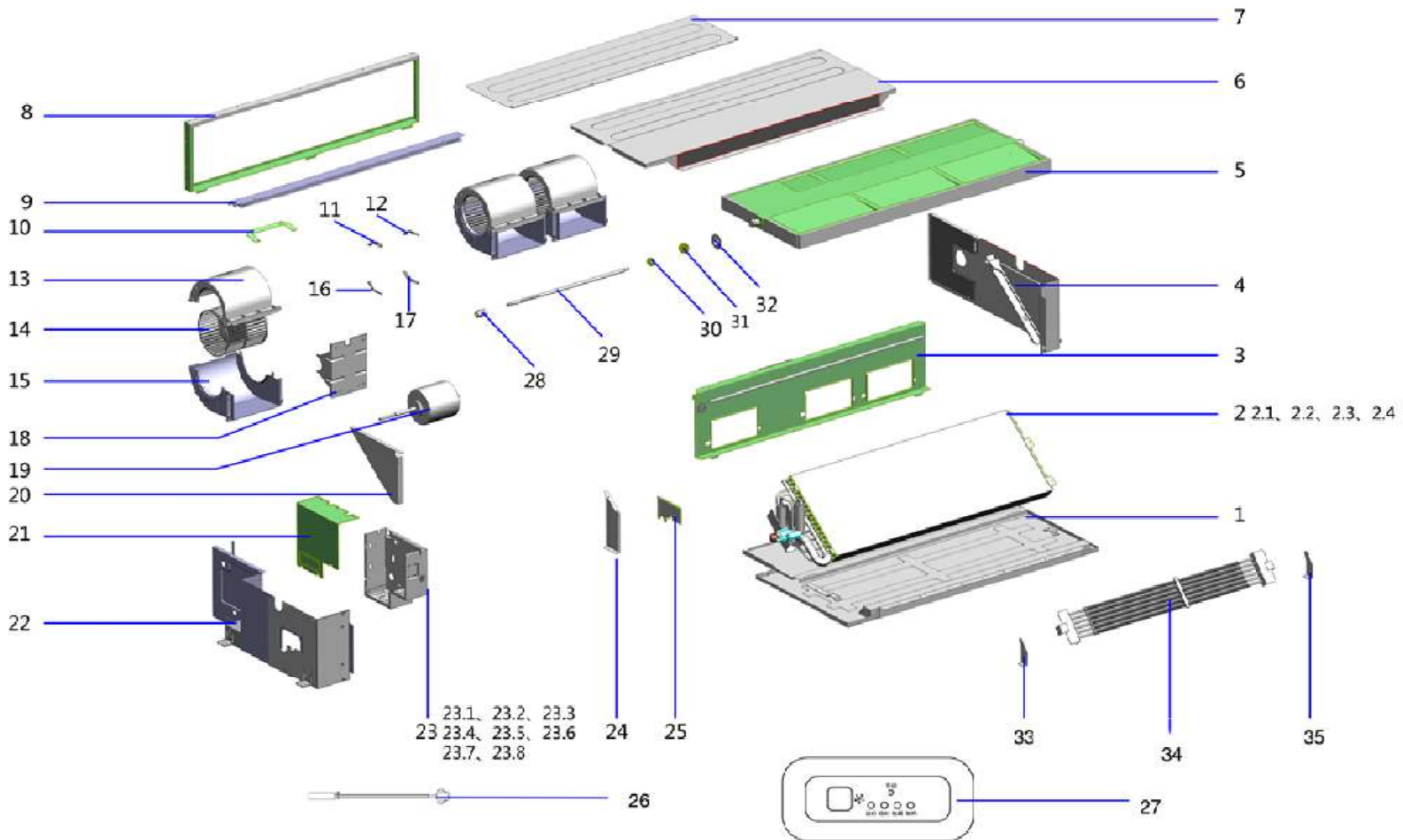
Indoor Unit Model: IEMP048J3A-DCG140



Model: IEMP048J3A-DCG140

No.	OMEGA Model	Part No.	Description	Qty.
1	IEMP048J3A-DCG140	12223000001471	Chassis assembly	1
2	IEMP048J3A-DCG140	15823000005181	Evaporator ass'y	1
2.1	IEMP048J3A-DCG140	15823000002802	Evaporator	1
2.2	IEMP048J3A-DCG140	15423000004958	Evaporator output pipe assembly	1
2.3	IEMP048J3A-DCG140	15423000005058	Evaporator input pipe assembly	1
2.4	IEMP048J3A-DCG140	11201007000113	Pipe Temperature Sensor	1
2.5	IEMP048J3A-DCG140	12226000004360	Supporting board assembly, evaporator	1
2.6	IEMP048J3A-DCG140	12223000000110	Right clapboard strengthen board	1
3	IEMP048J3A-DCG140	12226000000437	Beam assembly	1
4	IEMP048J3A-DCG140	12223000001290	Left clapboard subassembly	1
5	IEMP048J3A-DCG140	12826200000027	Water collector assembly	1
6	IEMP048J3A-DCG140	12223000000201	Top cover subassembly	1
7	IEMP048J3A-DCG140	12223000001658	Rear cover subassembly	1
8	IEMP048J3A-DCG140	12223000000456	Right clapboard subassembly	1
9	IEMP048J3A-DCG140	12223000000267	Right clapboard	1
10	IEMP048J3A-DCG140	12223000007127	Waterproof board	1
11	IEMP048J3A-DCG140	12223000000530	Fan motor cover	1
12	IEMP048J3A-DCG140	12223000000529	Fan motor cover	1
13	IEMP048J3A-DCG140	12123000000022	bottom volute	2
14	IEMP048J3A-DCG140	12100103000079	centrifuge fan	2
15	IEMP048J3A-DCG140	12123000000024	top volute	2
16	IEMP048J3A-DCG140	12223000000532	Fan motor cover	1
17	IEMP048J3A-DCG140	12223000000531	Fan motor cover	1
18	IEMP048J3A-DCG140	12226000000367	Motor bracket assembly	1
19	IEMP048J3A-DCG140	11002012000470	Asynchronous motor	1
21	IEMP048J3A-DCG140	12223000004648	Electric control box cover assembly	1
22	IEMP048J3A-DCG140	12223000001294	Right clapboard assembly	1
23	IEMP048J3A-DCG140	17223000A06002	E-part box assembly	1
23.1	IEMP048J3A-DCG140	12226000005058	Electronic control box	1
23.2	IEMP048J3A-DCG140	17400401001516	Wire joint	1
23.3	IEMP048J3A-DCG140	17126000A04269	Indoor unit main control board	1
23.4	IEMP048J3A-DCG140	17400401000188	Wire joint	1
23.5	IEMP048J3A-DCG140	17400103000154	Capacitor of compressor	1
25	IEMP048J3A-DCG140	12223000000524	Pipe clamp board subassembly	1
26	IEMP048J3A-DCG140	11201007000102	Room temperature sensor	1
27	IEMP048J3A-DCG140	17226000004241	VRF IDU display box assembly	1
28	IEMP048J3A-DCG140	12223000001576	Connecting plate	1

Indoor Unit Model: IEMP060J3A-DCG160



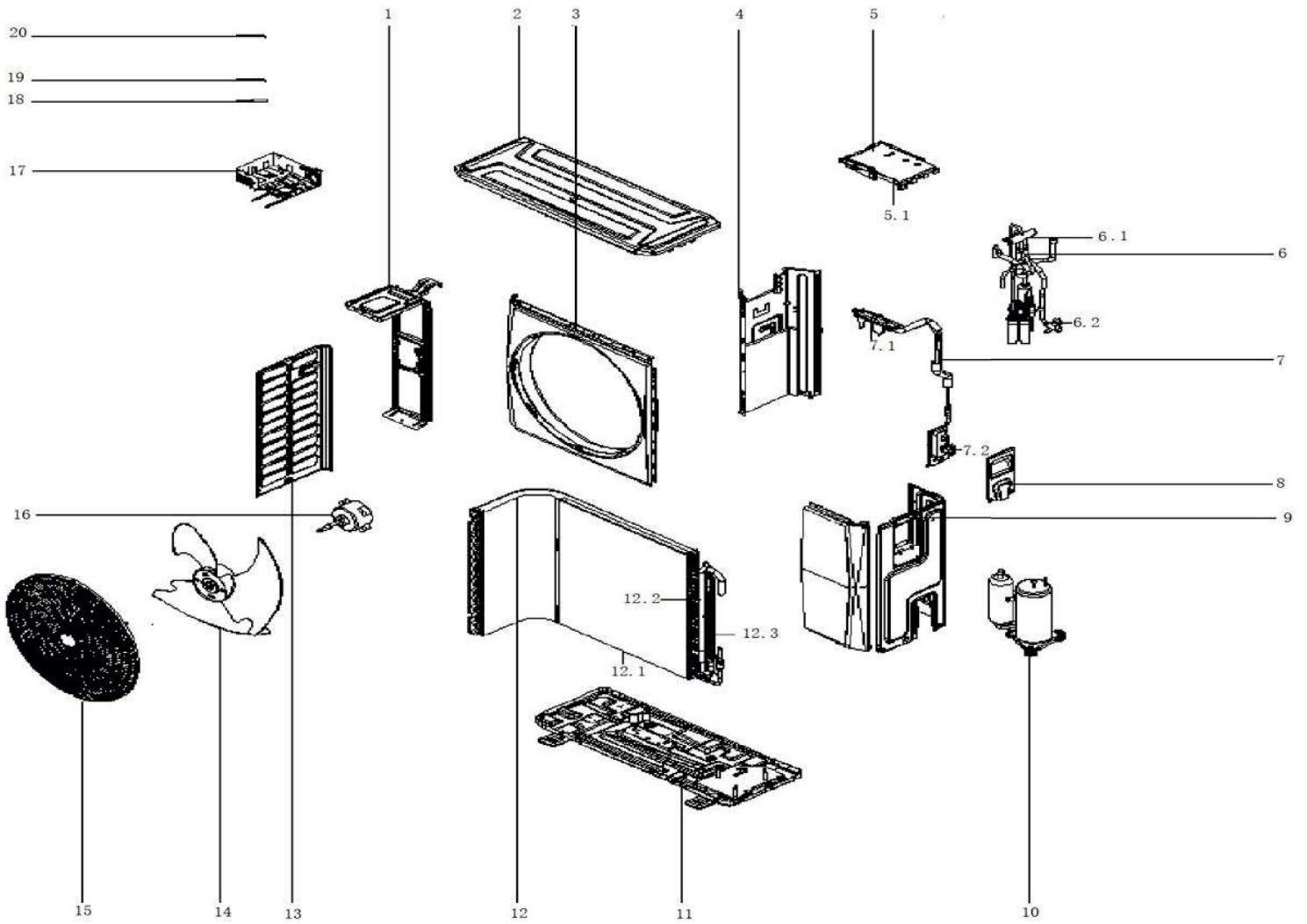
Model: IEMP060J3A-DCG160

No.	OMEGA Model	Part No.	Description	Qty.
1	IEMP060J3A-DCG160	12226000000402	Base ass'y	1
2	IEMP060J3A-DCG160	15823000A04396	Evaporator assembly	1
2.1	IEMP060J3A-DCG160	15823000002845	Drainage pan	1
2.2	IEMP060J3A-DCG160	15423000A01315	Evaporator output pipe assembly	1
2.3	IEMP060J3A-DCG160	15423000A01316	Evaporator input pipe assembly	1
2.4	IEMP060J3A-DCG160	11201007000113	Pipe Temperature Sensor	1
3	IEMP060J3A-DCG160	12223000001567	Beam assembly	1
4	IEMP060J3A-DCG160	12223000001249	Left clapboard subassembly	1
5	IEMP060J3A-DCG160	12826200000047	drain tray ass'y	1
6	IEMP060J3A-DCG160	12223000001352	Top cover ass'y	1
7	IEMP060J3A-DCG160	12223000001655	Rear cover subassembly	1
8	IEMP060J3A-DCG160	12223000001511	Flange ass'y	1
9	IEMP060J3A-DCG160	12223000001566	Rear beam assembly	1
10	IEMP060J3A-DCG160	12223000000533	Fan motor fixing board	1
11	IEMP060J3A-DCG160	12223000000530	Fan motor cover	1
12	IEMP060J3A-DCG160	12223000000529	Fan motor cover	1
13	IEMP060J3A-DCG160	12123000000022	bottom volute	3
14	IEMP060J3A-DCG160	12100103000079	centrifuge fan	3
15	IEMP060J3A-DCG160	12123000000024	top volute	3
16	IEMP060J3A-DCG160	12223000000532	Fan motor cover	1
17	IEMP060J3A-DCG160	12223000000531	Fan motor cover	1
18	IEMP060J3A-DCG160	12226000000367	Motor bracket assembly	1
19	IEMP060J3A-DCG160	11002012001211	Fan motor	1
20	IEMP060J3A-DCG160	12226000004359	Supporting board assembly, evaporator	1
21	IEMP060J3A-DCG160	12223000004648	Electric control box cover assembly	1
22	IEMP060J3A-DCG160	12223000001291	Right clapboard assembly	1
23	IEMP060J3A-DCG160	17223000A06297	E-part box assembly	1
23.1	IEMP060J3A-DCG160	12226000005058	Electronic control box	1
23.3	IEMP060J3A-DCG160	17126000A04595	Indoor unit main control board	1
23.5	IEMP060J3A-DCG160	17400103000154	Capacitor of compressor	1
24	IEMP060J3A-DCG160	12223000000112	Right clapboard strengthen board	1
25	IEMP060J3A-DCG160	12223000000524	Pipe clamp board subassembly	1
26	IEMP060J3A-DCG160	11201007000102	Room temperature sensor	1
27	IEMP060J3A-DCG160	17226000A06450	VRF IDU display box assembly	1
28	IEMP060J3A-DCG160	12918000001319	Coupling	1
29	IEMP060J3A-DCG160	12900601000010	Connecting shaft	1
30	IEMP060J3A-DCG160	12622000000013	Bearing base	1
31	IEMP060J3A-DCG160	12122000007617	Bearing	1
32	IEMP060J3A-DCG160	12226000000731	Bearing Fixing board	1

Exploded Views and Parts List.

Outdoor Unit Model:

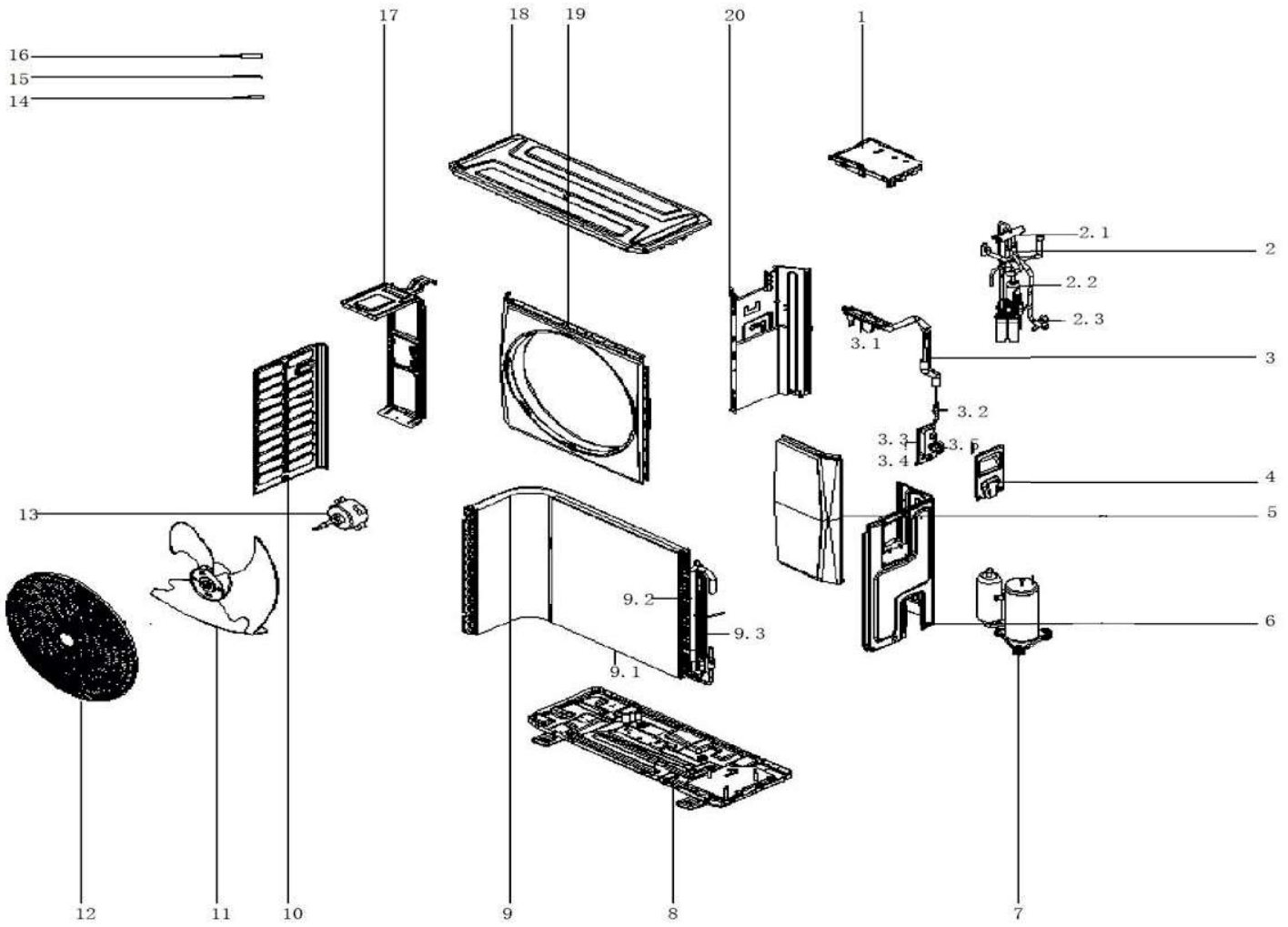
ICHD018J0A-DMG053



Model: ICHD018J0A-DMG053

EX_ID	Spare Parts Code	Part Name(EN)	Qty.	Remark 2	Drawing No
1	12223000015529	Motor holder assembly	1		KFR-51W/BP3N1-B01.9E
2	12227000014851	Top cover assembly	1		KFR-35W/BP3N1-B01.4A
3	12223000014492	Front panel assembly	1		KFR-35W/BP2N1-B01(Z).1
4	12222000002230	Partition board	1		B01.BJ-9
5	17123000006168	Outdoor main control board assembly	1		V-KOK51-DMD-A-2[KSN140D21UFZ_RX24T_PSS20S92F6]
5.1	12123000001143	Electronic control box	1		WC01,DKH,SL-1(Z)
6	15423000005480	Four-way valve assembly	1		KFR-51W/BP2N1-B02(TR).ZL.2
6.1	15500216000026	4-way Valve	1		STF-02BN1(VHR)
6.2	15500204000047	Gas valve	1		DYF-B23N1
7	15423000005059	High pressure valve assembly	1		CFAN-X51TR.ZL.1
7.1	15427000002762	Heat sink assembly	1		KFR-51W/BP3N1-B10T2(TR).ZL.2.1
7.2	15500208000028	Liquid valve	1		GYF-A28N
8	12123000002361	Large handle assembly	1		KFR-26W/BP3N1-A01.5A(Z)
9	12223000014489	Side panel assembly	1		KFR-35W/BP2N1-B01(Z).2A
10	11103020003919	DC Inverter Rotary Compressor	1		KSN140D21UFZ
11	12223000011665	Base assembly	1		B01.BJ.1C
12	15823000006266	B unit condenser assembly	1		KFR-51W/BP2N1-B02(TR).ZL.1B
12.1	15823000006271	Condenser A	1		KFR-51W/BP2N1-B02(TR).ZL.1.1B
12.2	15123000011700	B condenser input pipe assembly	1		KFR-51W/BP2N1-B02(TR).ZL.1.2
12.3	15423000004973	Condenser output pipe assembly	1		KFR-51W/BP2N1-B02(TR).ZL.1.3
13	12223000014490	Column	1		KFR-26W/BP3N1-A01.6(Z)
14	12100105000051	Axial flow fan	1		ZL-427*139*8-3KN
15	12123000001922	Wind nets	1		WB01.SL-1(Z)
16	11002015000325	Brushless DC Motor	1		ZKFN-56-8-1
17	12223000012499	Electric control box welding assembly	1		KFR-26W/BP2N1-A09.D.13.DK1.1A(Z)
18	11201007002020	Room Temperature Sensor	1	T4: Ambient temperatur e sensor	CGQ-WD/SW4100-L550-SMP2-P450-HT1.0
19	11201007000136	Pipe Temperature Sensor	1	T3: Heat exchanger outlet temperatur e sensor	CGQ-WD/GW4100-L850-SMP3B-P800
20	11201007000005	Discharge Temperature Sensor	1	TP: Discharge emperatur e sensor	CGQ-WD/PQ3950-L380-SMP2R-G340

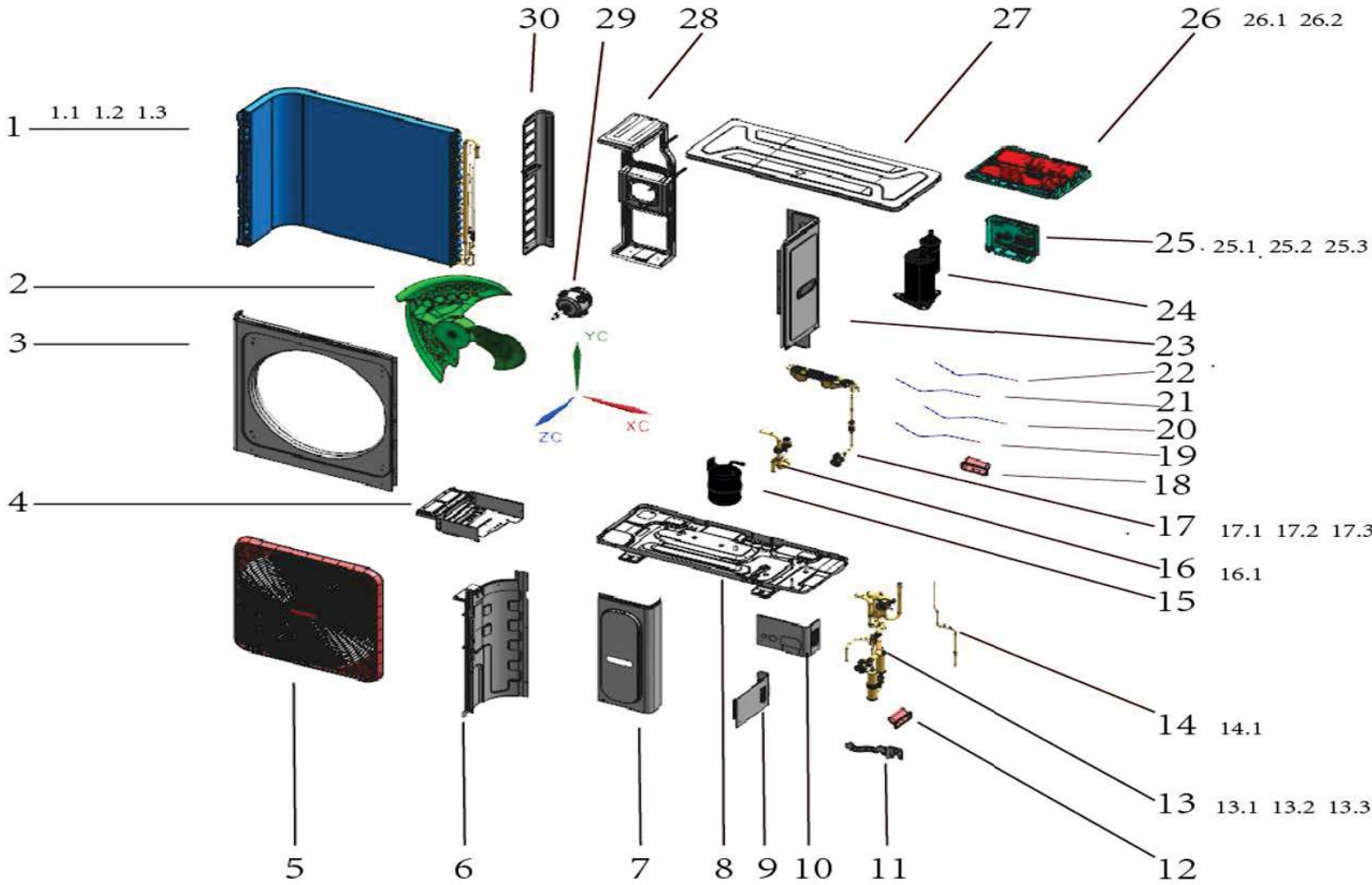
**Outdoor Unit Model:
ICHD024J0A-DMG071**



Model: ICHD024J0A-DMG071

EX_ID	Spare Parts Code	Part Name(EN)	Qty.	Remark2	Drawing No
1	17123000006166	Outdoor main control board assembly	1		V-KOK72-DMD-A-2[KTM240D57UMT_RX24T_PSS30S92F6]
2	15423000005078	Four-way valve assembly	1		CFAN-X72TR.ZL.3
2.1	15500216000026	4-way Valve	1		STF-02BN1(VHR)
2.2	15500506000144	Muffler	1		XSQ-10A
2.3	15500204000025	Gas valve	1		DYF-C15N1
3	15423000A01255	High pressure valve assembly	1		KFR-72W/BP2N1-C02(TR).ZL.2(CLIVET)
3.1	15427000002759	Heat sink assembly	1		KFR-72W/BP3N1-C10T2(TR).ZL.2.1
3.2	15500208000025	Liquid valve	1		GYF-A18N
3.3	12223000011652	Valve plate	1		KFR-51W-C01-1
3.4	15500210000125	Throttle valve	1		JLF(G)-054-W8-N6
3.5	15500210000344	Throttle valve	1		JLF(G)-050-N8-N6
4	12227000011039	Large handle	1		KFR-51W-C01.8A
5	12223000011664	Front Right Side Plate Assembly	1		KFR-51W-C01.5
6	12223000014493	Side panel assembly	1		KFR-51W-C02.7
7	11103020004119	DC Inverter Rotary Compressor	1		ATM240D57UMT
8	12225100000706	Chassis part	1		KFR-72W-C01.1
9	15823000006274	B unit condenser assembly	1		KFR-72W/BP2N1-C02(TR).ZL.1C
9.1	15823000006278	Condenser	1		KFR-72W/BP2N1-C02(TR).ZL.1.1C
9.2	15123000011686	Condenser input pipe assembly	1		KFR-72W/BP2N1-C02(TR).ZL.1.3
9.3	15423000004969	Condenser output pipe assembly	1		KFR-72W/BP2N1-C02(TR).ZL.1.2
10	12223000014488	Column	1		KFR-51W-C01.9(Z)
11	12100105000022	Axial flow fan	1		ZL-554*148*12-3KFN
12	12123000001921	Wind nets	1		WC01.SL-1(Z)
13	11002015000366	Brushless DC Motor	1		ZKFN-80-8-3
14	11201007000039	Room Temperature Sensor	1	T4	CGQ-WD/SW4100-L850-SMP2-P650(HT1.0)
15	11201007000250	Pipe Temperature Sensor	1	T3	CGQ-WD/GW4100-L1100-SMP3B-P850
16	11201007000083	Discharge Temperature Sensor	1	TP	CGQ-WD/PQ3950-L500-SMP2R-G400
17	12222200001465	Supporter subassembly of fan motor	1		KFR-51W-C01.2A
18	12223000014496	Top cover assembly	1		KFR-51W-C01.3C
19	12223000011657	Right front panel	1		KFR-51W-C01.4-1
20	12223000012497	Partition board assembly	1		KFR-72W/BP2N1-C01.6A

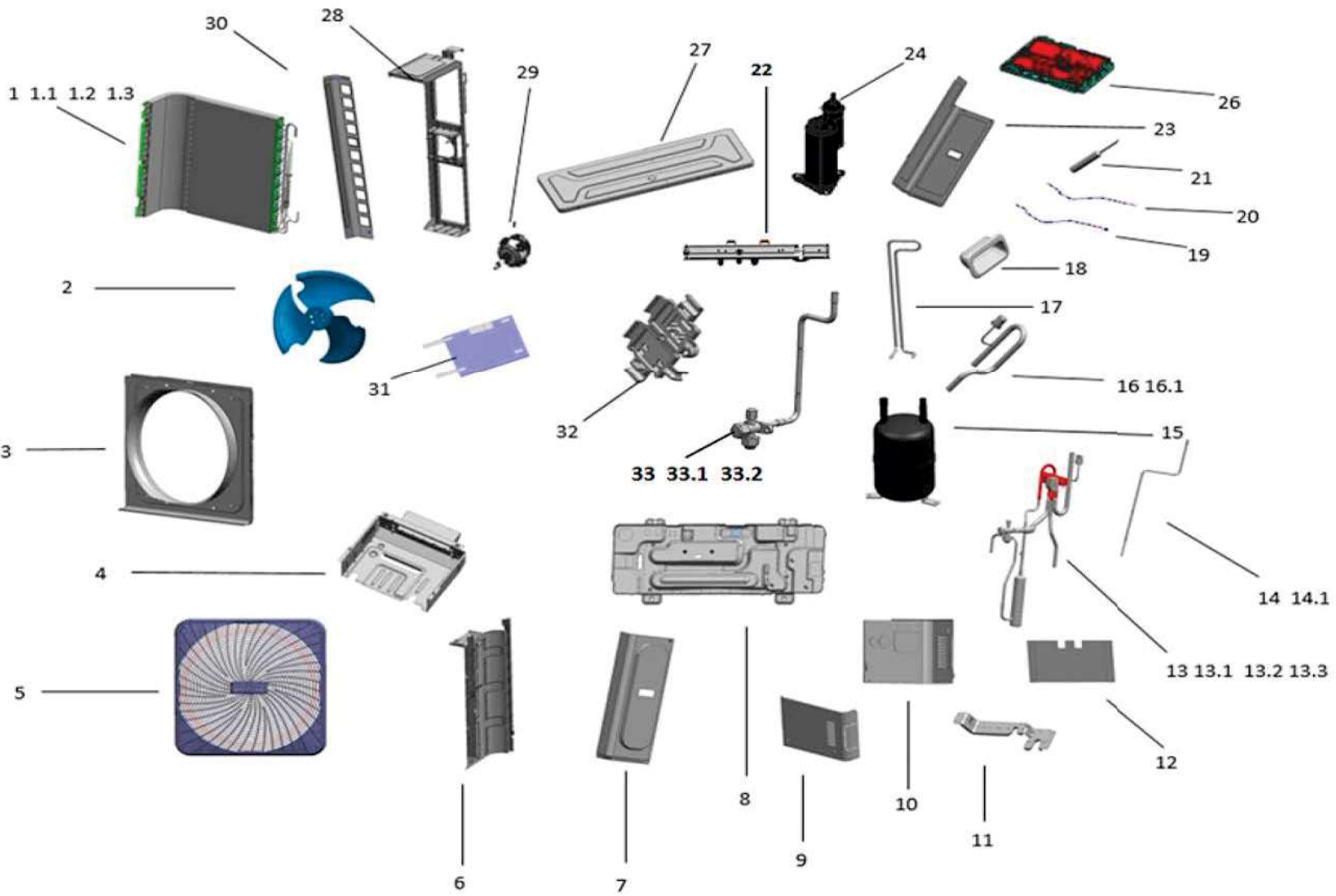
**Outdoor Unit Model:
ICHD036J0A-DMG105**



Model:ICHD036J0A-DMG105

EX_ID	Spare Parts Code	Part Name(EN)	Qty.	Remarks	Drawing No
1	15823000005184	Condenser part	1		KFR-120W/N1-5R1(E1).ZL.1
1.1	15827000001589	Condenser	1		KFR-120W/N1-5R1(E1).ZL.1.1
1.2	15127000008865	B condenser input pipe assembly	1		KFR-120W/N1-5R1(E1).ZL.1.3
1.3	15427000004347	Condenser output pipe assembly	1		KFR-120W/N1-5R1(E1).ZL.1.2
2	12100105000641	Axial fan	1		ZL-580*190*15-3
3	12223000012489	Front panel	1		KFR-120W/BP2N1-5R1(TR)-1
4	12223000012493	Electric control box welding assembly	1		KFR-120W/BP2N1-5R1(TR).D.1.1
5	12125300001380	Wind nets assembly	1		MDVH-V120W/N1-5R0(E1).3
6	12227000010105	Partition board assembly	1		MDVH-V120W/N1-5R1(E1).11
7	12227000010097	Front Right Side Plate Assembly	1		MDVH-V120W/N1-5R1(E1).6
8	12227000010100	Base assembly	1		MDVH-V120W/N1-5R1(E1).1
9	12227000010099	Rear Tube Side Plate	1		MDVH-V120W/N1-5R1(E1)-5
10	12227000010109	Front Tube Side Plate	1		MDVH-V120W/N1-5R1(E1)-7
11	12227000010098	Valve plate	1		MDVH-V120W/N1-5R1(E1)-12
12	12100701000196	Handle	1		MDVH-V120W/N1-612TR(E1)-3
13	15423000004964	Four-way valve assembly	1		KFR-120W/N1-5R1(E1).ZL.3
13.1	15500204000037	Gas valve	1		DYF-C16N1
13.2	15500216000153	Four-way valve kit	1		STF-02BN1-L600-VHR
13.3	17400516000032	Pressure switch	1		YK-4.4/3.2-600(UL)
14	15423000004963	High pressure valve assembly	1		KFR-120W/N1-5R1(E1).ZL.4
14.1	15500210003571	Throttle	1		JLF(G)-069-W8-N8
15	15500501001768	Gas-liquid separator	1		QYFLQ-16*1.8*126*V2.3(L)(G)
16	15423000004962	Suction pipe assembly	1		KFR-120W/N1-5R1(E1).ZL.2
16.1	17400516000022	Pressure switch	1		YK-0.05/0.15-540
17	15427000004346	Heat sink assembly	1		KFR-120W/N1-5R1(E1).ZL.5
17.1	15100113008680	Straight pipe	1		ZG-8*0.6*75(N8*8)
17.2	15500210003570	Throttle	1		JLF(G)-058-W8-N8
17.3	15427000004345	Heat sink assembly	1		KFR-120W/N1-5R1(E1).ZL.5.1
18	12125300002160	Handle	1		CE-MDV140W/DN1-610-13D
19	11201007000083	Discharge Temperature Sensor	1		CGQ-WD/PQ3950-L500-SMP2R-G400
20	11201007000025	Room Temperature Sensor	1		CGQ-WD/SW4100-L1000-SMP2-P900-02
21	11201007000382	Pipe Temperature Sensor	1		CGQ-WD/GW4100-L1300-SMP3B-P1200
22	11201007000147	Pipe Temperature Sensor	1		CGQ-WD/GW4100-L600-SMP3BL-P550
23	12227000010103	Right Rear Side Panel Assembly	1		MDVH-V120W/N1-5R1(E1).4
24	11103020004360	DC Inverter Rotary Compressor	1		KTM240D57UMT
25	17227000003661	E-part box assembly	1		KFR-120W/BP2N1-5R1(TR).D.2
25.1	12227000010106	Electrical appliance mounting plate assembly	1		MDVH-V120W/N1-5R1(E1).D.2.1
25.2	17400401000073	Wire joint	1		JXZ-AG3ZG1-A(RS9102/JX-O-3)
25.3	17400401000253	Wire joint	1		JXZ-AD6Z-E
26	17223000A05982	E-part box assembly	1		KFR-120W/BP2N1-5R1(TR).D.1(DZ)
27	12227000012486	Top cover assembly	1		MDVH-V120W/N1-5R1(E1).8A
28	12227000010102	Motor bracket I assembly	1		MDVH-V120W/N1-5R1(E1).9
29	11002015006321	Brushless DC Motor	1		ZKSP-170-8-9
30	12223000012491	Side panel assembly	1		KFR-120W/BP2N1-5R1(TR).1

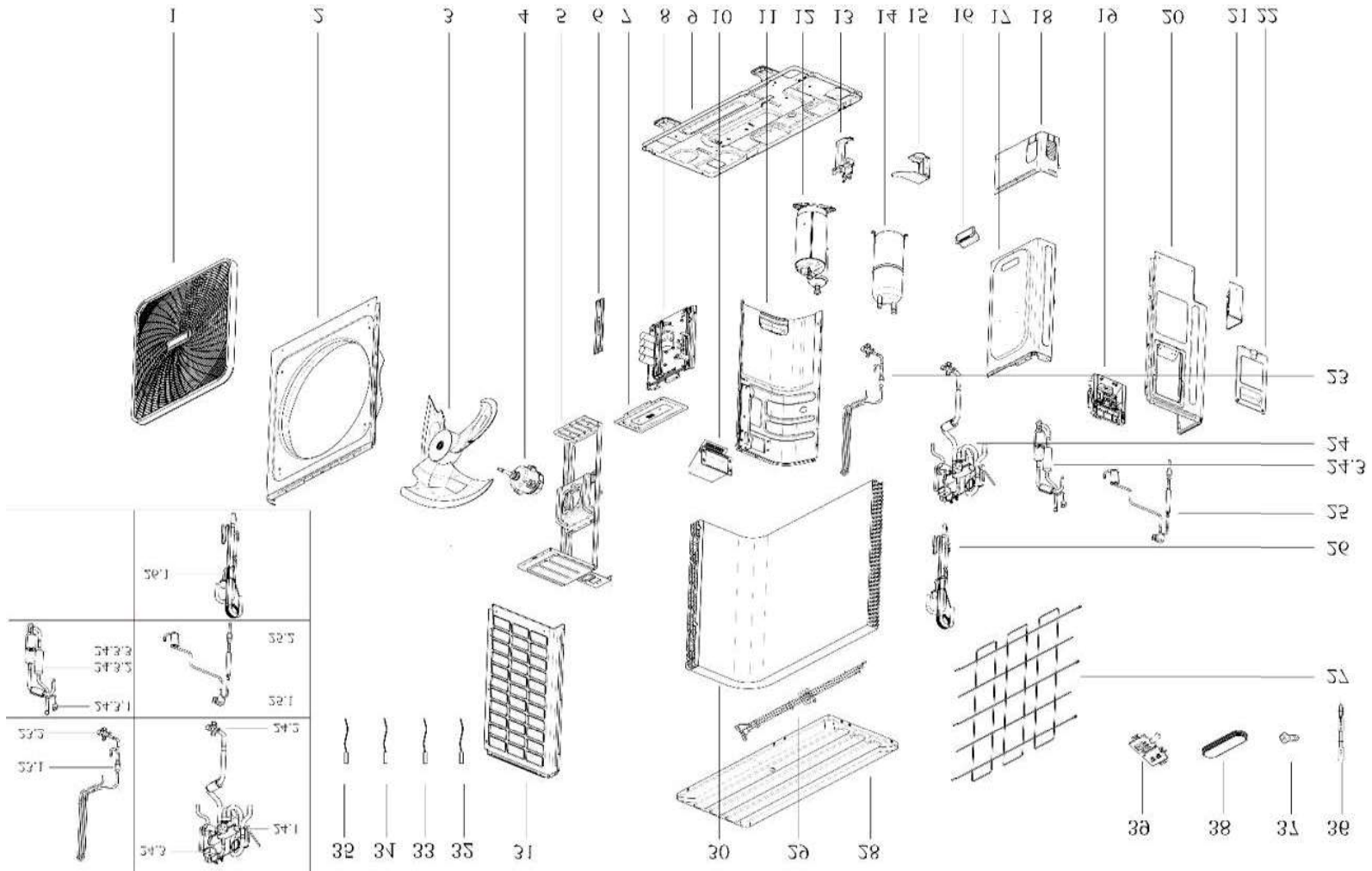
**Outdoor Unit Model:
ICHD048J0A-DMG140**



Model:ICHD048J0A-DMG140

EX_ID	Spare Parts Code	Part Name(EN)	Qty.	Remark2	Drawing No
1	15823000005182	Condenser part	1		KFR-140W/N1-5R1(E1).ZL.1
1.1	15827000001588	Condenser	1		KFR-140W/N1-5R1(E1).ZL.1.1
1.2	15127000007621	B condenser input pipe assembly	1		MDVH-V120W/N1-5R1(E1).ZL.1.2
1.3	15427000003566	Output pipe assembly I of condenser	1		MDVH-V120W/N1-5R1(E1).ZL.1.3
2	12100105000641	Axial fan	1		ZL-580*190*15-3
3	12223000012489	Front panel	1		KFR-120W/BP2N1-5R1(TR)-1
4	12223000012493	Electric control box welding assembly	1		KFR-120W/BP2N1-5R1(TR).D.1.1
5	12125300001380	Wind nets assembly	1		MDVH-V120W/N1-5R0(E1).3
6	12227000010105	Partition board assembly	1		MDVH-V120W/N1-5R1(E1).11
7	12227000010097	Front Right Side Plate Assembly	1		MDVH-V120W/N1-5R1(E1).6
8	12227000010100	Base assembly	1		MDVH-V120W/N1-5R1(E1).1
9	12227000010099	Rear Tube Side Plate	1		MDVH-V120W/N1-5R1(E1)-5
10	12227000010109	Front Tube Side Plate	1		MDVH-V120W/N1-5R1(E1)-7
11	12227000010098	Valve plate	1		MDVH-V120W/N1-5R1(E1)-12
12	12100701000196	Handle	1		MDVH-V120W/N1-612TR(E1)-3
13	15423000004960	Four-way valve assembly	1		KFR-140W/N1-5R1(E1).ZL.3
13.1	15500204000037	Gas valve	1		DYF-C16N1
13.2	15500216000153	Four-way valve kit	1		STF-02BN1-L600-VHR
13.3	17400516000032	Pressure switch	1		YK-4.4/3.2-600(UL)
14	15427700001590	Throttle assembly	1		KFR-140W/N1-5R1(E1).ZL.4
14.1	15500210003569	Throttle	1		JLF(G)-062H/C082-W8-N8
15	15500501001768	Gas-liquid separator	1		QYFLQ-16*1.8*126*V2.3(L)(G)
16	15423000004961	Suction pipe assembly	1		KFR-140W/N1-5R1(E1).ZL.2
16.1	17400516000022	Pressure switch	1		YK-0.05/0.15-540
17	15427000004344	Heat sink assembly	1		KFR-140W/N1-5R1(E1).ZL.5
17.1	15500204000008	Gas valve	1		DYF-A22N1
17.2	15500210003568	Throttle	1		JLF(G)-112-W8-N8
17.3	15427000004345	Heat sink assembly	1		KFR-120W/N1-5R1(E1).ZL.5.1
18	12125300002160	Handle	1		CE-MDV140W/DN1-610-13D
19	11201007000083	Discharge Temperature Sensor	1		CGQ-WD/PQ3950-L500-SMP2R-G400
20	11201007000025	Room Temperature Sensor	1		CGQ-WD/SW4100-L1000-SMP2-P900-02
21	11201007000382	Pipe Temperature Sensor	1		CGQ-WD/GW4100-L1300-SMP3B-P1200
22	11201007000147	Pipe Temperature Sensor	1		CGQ-WD/GW4100-L600-SMP3BL-P550
23	12227000010103	Right Rear Side Panel Assembly	1		MDVH-V120W/N1-5R1(E1).4
24	11103020006699	DC Inverter Rotary Compressor	1		ATF400D64UMTC
25	17227000003661	E-part box assembly	1		KFR-120W/BP2N1-5R1(TR).D.2
25.1	12227000010106	Electrical appliance mounting plate assembly	1		MDVH-V120W/N1-5R1(E1).D.2.1
25.2	17400401000073	Wire joint	1		JXZ-AG3ZG1-A(RS9102/JX-O-3)
25.3	17400401000253	Wire joint	1		JXZ-AD6Z-E
26	17223000A05978	E-part box assembly	1		KFR-140W/BP2N1-5R1(TR).D.1(DZ)
27	12227000012486	Top cover assembly	1		MDVH-V120W/N1-5R1(E1).8A
28	12227000010102	Motor bracket I assembly	1		MDVH-V120W/N1-5R1(E1).9
29	11002015006321	Brushless DC Motor	1		ZKSP-170-8-9
30	12223000012491	Side panel assembly	1		KFR-120W/BP2N1-5R1(TR).1

**Outdoor Unit Model:
ICHD060J0A-DMG160**



Model:ICHD060J0A-DMG160

EX_ID	Spare Parts Code	Part Name(EN)	Qty.	Remark2	Drawing No
1	12125300001380	Wind nets assembly	1		MDVH-V120W/N1-5R0(E1).3
2	12227000007792	Right front panel	1		MDVH-V120W/N1-5R0(E1)-3
3	12100105000641	Axial fan	1		ZL-580*190*15-3
4	11002015006321	Brushless DC Motor	1		ZKSP-170-8-9
5	12227000007797	Motor bracket I assembly	1		MDVH-V120W/N1-5R0(E1).12
6	12225200005232	Clamp	1		MDVH-V120W/N1-5R0(E1).D.1-3
7	12227000007932	E-Part box cover	1		MDVH-V120W/N1-5R0(E1)-16
8	17227000A05790	E-part box assembly	1		MDVH-V160W/N1-5R1(E1).D.2(DZ1)
8.1	17127000A03863	Outdoor main control board assembly	1		MDVH-V160W/N1-615TR(E1).D.1.1(DZ1)
8.2	12227000007772	E-part box	1		MDVH-V120W/N1-5R0(E1).D.1.2
8.3	12227000007773	E-part box	1		MDVH-V120W/N1-5R0(E1).D.1.3
8.4	12125000000209	Wire across clasp	1		MDVH-V120W/N1-5R0(E1).D.1-11
8.5	17127000008781	Filter board assembly	1		MDVH-V160W/N1-615(TR).D.2.1.1.2
9	12227000007805	Base assembly	1		MDVH-V120W/N1-5R0(E1).1
10	12127000000496	Rainproof cover	1		MDVH-V120W/N1-5R0(E1)-20
11	12227000007807	Partition board assembly	1		MDVH-V120W/N1-5R0(E1).10
12	11103020003279	DC Inverter Rotary Compressor	1		ATF400D64UMV
13	12227000007793	Valve plate	1		MDVH-V120W/N1-5R0(E1)-11
14	15500501001708	Seporator	1		QYFLQ-19*16*1.8*128*V4.1(G)
15	12227000007804	Support plate	1		MDVH-V120W/N1-5R0(E1)-15
16	12100701000196	Handle	1		MDVH-V120W/N1-612TR(E1)-3
17	12227000007796	Front Right Side Plate Assembly	1		MDVH-V100W/N1-5R0(E1).5
18	12227000007806	Clapboard	1		MDVH-V120W/N1-5R0(E1)-9
19	17225300002340	Terminal electrical control box assembly	1		MDVH-V160W/N1-5R1(E1).D.3
19.1	12127000000556	Wire connecting box assembly	1		MDVH-V120W/N1-5R0(E1).D.1.6
19.2	17400401000073	Wire joint	1		JXZ-AG3ZG1-A(RS9102/JX-O-3)
19.3	17400401000253	Wire joint	1		JXZ-AD6Z-E
20	12227000011768	Rear-Right Side Plate Assembly	1		MDVH-V160W/N1-5R1(E1).7
21	12227000007795	Clapboard	1		MDVH-V120W/N1-5R0(E1)-8
22	12227000007741	Big handle assembly	1		MDVH-V120W/N1-5R0(E1).6
23	15427000A01913	High pressure valve assembly	1		MCR3-X 160M.ZL.5
23.1	15427000002482	Heat sink assembly	1		MDVH-V120W/N1-615TR(E1).ZL.7
23.2	15500204000008	Gas valve	1		DYF-A22N1
24	15427000A01914	Four-way valve assembly	1		MCR3-X 160M.ZL.2
24.1	15500216000103	4-way valve suite	1		STF-02BN1-L800-VHR
24.2	15500204000365	Low pressure valve	1		DYF-C16N1(B)
24.3	15427000A01912	Air discharge pipe assembly	1		MCR3-X 160M.ZL.2.1
24.3.1	17400516000032	Pressure switch	1		YK-4.4/3.2-600(UL)
24.3.2	15500508000135	Accumulator tank	1		ZYG-03C
26	15427000A01915	Suction pipe assembly	1		MCR3-X 160M.ZL.3
26.1	17400516000022	Pressure switch	1		YK-0.05/0.15-540
27	12125300001380	Wind nets assembly	1		MDVH-V120W/N1-5R0(E1).3
28	12227000007794	Top cover assembly	1		MDVH-V120W/N1-5R0(E1).4
29	17401203018899	Compressor wire joint assembly	1		YSJ825-P-RDO-BLO-BKO-12#-CH(150°C)
30	15827000001528	Condenser part	1		MDVH-V140W/N1-5R1(E1).ZL.1
31	12227000007803	Clapboard	1		MDVH-V120W/N1-5R0(E1)-2
33	11201007003028	Room Temperature Sensor	1	T4	CGQ-WD/SW4100-L700-SMP2WH-P650(H1.0)
34	11201007000382	Pipe Temperature Sensor	1	T3	CGQ-WD/GW4100-L1300-SMP3B-P1200
35	11201007002460	Discharge Temperature Sensor	1	T5	CGQ-WD/PQ3950-L500-XAP2-G450(WK30)
37	12100509000553	Drain hose	1		RF26WWW/S-8R0L.11
38	12627000000002	Chassis waterproof cover	1		CE-MDV140W/DN1-610-12
39	12100303001022	Sensor clamp	1		WBK-10A