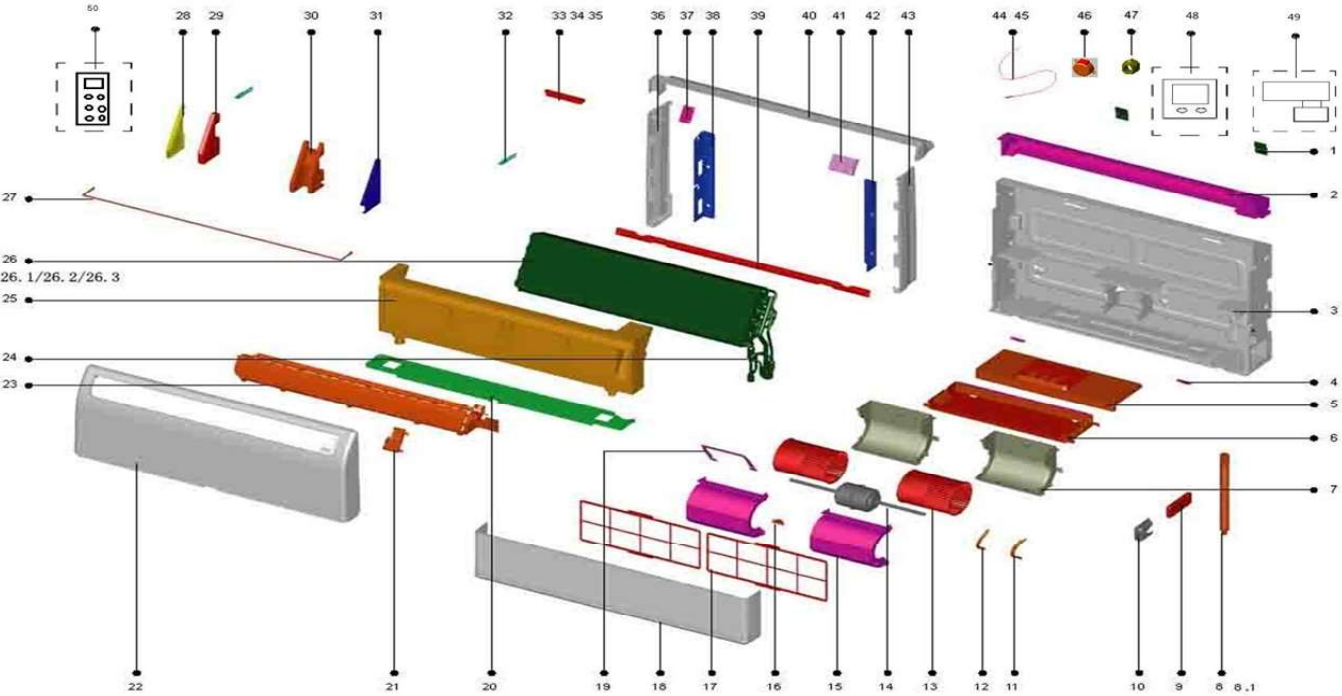


# Exploded Views and Parts List.

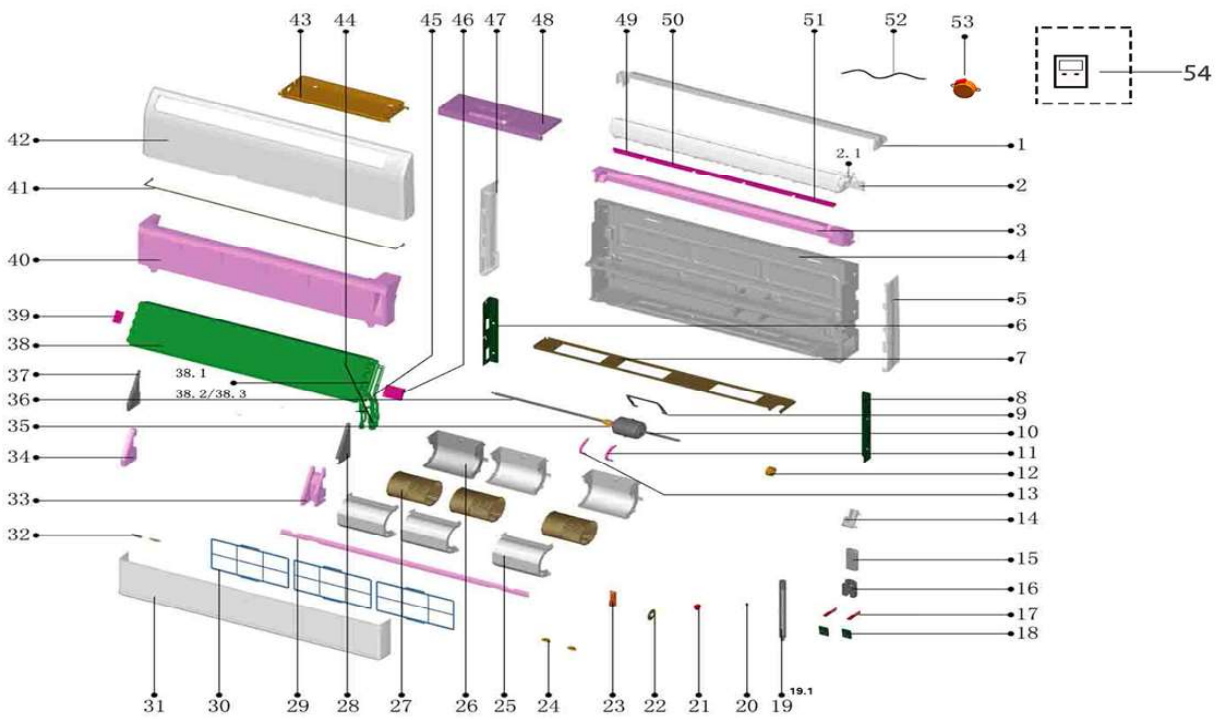
Indoor Unit Model: IEFC018J3A-DWG053



# Model: IEFC018J3A-DWG053

No.	OMEGA Model	Part No.	Description	Qty.
1	IEFC018J3A-DWG053	12222700000052	display board installation support	2
2	IEFC018J3A-DWG053	12822700000021	Chassis foam	1
3	IEFC018J3A-DWG053	12222700000137	Base ass'y	1
4	IEFC018J3A-DWG053	12222700000009	Grille clamp	2
5	IEFC018J3A-DWG053	12222700000057	Cover of electronic control box subassembly	1
6	IEFC018J3A-DWG053	17222700A03394	E-part box assembly	1
6.1	IEFC018J3A-DWG053	17400101000024	Fan motor capacitor	1
6.3	IEFC018J3A-DWG053	12222700001046	Electric control box welding assembly	1
6.5	IEFC018J3A-DWG053	16000110A11183	Wire terminal label	1
6.5	IEFC018J3A-DWG053	17400401000197	Wire joint	1
6.6	IEFC018J3A-DWG053	17122500003855	Indoor unit main control board	1
7	IEFC018J3A-DWG053	12122700000112	Volute shell (below)	2
8	IEFC018J3A-DWG053	12011600000128	Accessory package	1
8.1	IEFC018J3A-DWG053	12100509000028	Drainage hose	1
9	IEFC018J3A-DWG053	17317000A58918	Remote controller	1
10	IEFC018J3A-DWG053	12117000000318	Bracket of remote Controller	1
11	IEFC018J3A-DWG053	12222500000253	Fan motor axes clamp (left)	1
12	IEFC018J3A-DWG053	12222500000255	Fan motor axes clamp (right)	1
13	IEFC018J3A-DWG053	12100103000138	Centrifugal fan	2
14	IEFC018J3A-DWG053	11002012003221	Single phase asynchronous motor	1
15	IEFC018J3A-DWG053	12122700000048	Volute shell (above)	2
16	IEFC018J3A-DWG053	12122700000030	Grille clamp	1
17	IEFC018J3A-DWG053	12100204000681	Air filter	2
18	IEFC018J3A-DWG053	12122700000098	Return air grille subassembly	1
19	IEFC018J3A-DWG053	12226000000058	Motor protective plate	1
20	IEFC018J3A-DWG053	12222700000128	Middle beam	1
22	IEFC018J3A-DWG053	12122700A00075	Panel assembly	1
23	IEFC018J3A-DWG053	12122700000072	Air outlet subassembly	1
25	IEFC018J3A-DWG053	12826000000036	drain pan ass'y	1
26	IEFC018J3A-DWG053	15826000000425	Evaporator assembly	1
26.1	IEFC018J3A-DWG053	15426000000517	Evaporator input pipe assembly	1
26.2	IEFC018J3A-DWG053	15126000001340	Evaporator output pipe assembly	1
26.3	IEFC018J3A-DWG053	11201007000382	Pipe Temperature Sensor	1
27	IEFC018J3A-DWG053	12922700000001	Fixing iron wire of water collector	2
28	IEFC018J3A-DWG053	12222700000117	Support board	1
29	IEFC018J3A-DWG053	12822700000023	Foam	1
30	IEFC018J3A-DWG053	12822700000024	Foam	1
31	IEFC018J3A-DWG053	12222700000118	Evaporator Left support	1
32	IEFC018J3A-DWG053	12122700000029	Grille clamp	2
34	IEFC018J3A-DWG053	12822700000004	Air outlet foam	2
35	IEFC018J3A-DWG053	12822700000005	Air outlet foam	1
36	IEFC018J3A-DWG053	12122700000085	Cover	1
37	IEFC018J3A-DWG053	12222700000038	evaporator installation board	1
38	IEFC018J3A-DWG053	12222700000086	Clapboard right subassembly	1
39	IEFC018J3A-DWG053	12222700000122	Grille strengthening rib	1
40	IEFC018J3A-DWG053	12122700000092	Cover	1
41	IEFC018J3A-DWG053	12222700000033	evaporator installation board	1
42	IEFC018J3A-DWG053	12222700000017	Left hook	1
43	IEFC018J3A-DWG053	12122700000091	Cover	1
44	IEFC018J3A-DWG053	11201007000195	Room Temperature Sensor	1
46	IEFC018J3A-DWG053	11002010000020	stepper motor	1

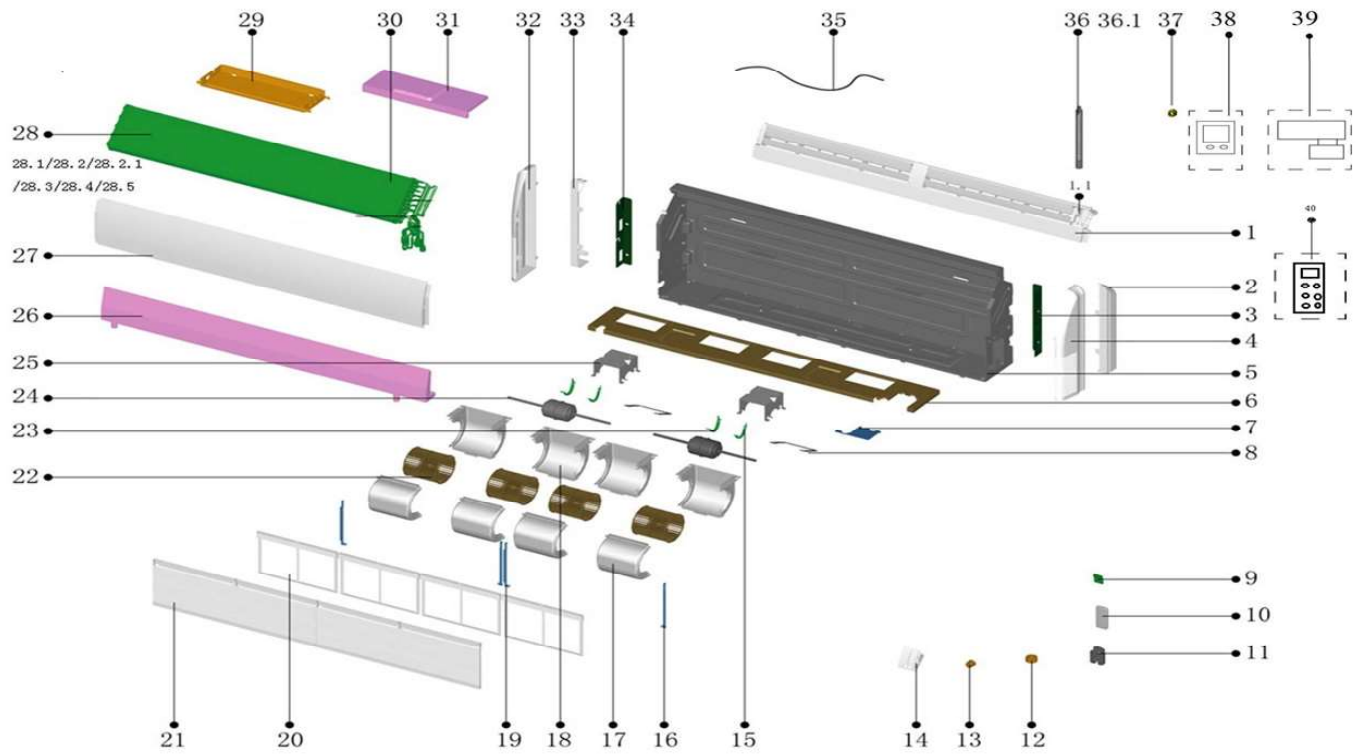
Indoor Unit Model: IEFC024J3A-DWG071



# Model: IEFC024J3A-DWG071

No.	OMEGA Model	Part No.	Description	Qty.
1	IEFC024J3A-DWG071	12122700000088	Cover	1
2	IEFC024J3A-DWG071	12122700000075	Air outlet subassembly	1
2.1	IEFC024J3A-DWG071	11002010000034	Stepper motor	1
3	IEFC024J3A-DWG071	12822700000020	Chassis foam	1
4	IEFC024J3A-DWG071	12222700000136	Base ass'y	1
5	IEFC024J3A-DWG071	12122700000091	Cover	1
6	IEFC024J3A-DWG071	12222700000086	Clapboard right subassembly	1
7	IEFC024J3A-DWG071	12222700000129	Middle beam	1
8	IEFC024J3A-DWG071	12222700000017	Left hook	1
9	IEFC024J3A-DWG071	12222500000252	Fan motor fixing board	1
11	IEFC024J3A-DWG071	12222500000253	Fan motor axes clamp (left)	1
13	IEFC024J3A-DWG071	12222500000255	Fan motor axes clamp (right)	1
15	IEFC024J3A-DWG071	17317000A58918	Remote controller	1
16	IEFC024J3A-DWG071	12117000000318	Bracket of remote Controller	1
17	IEFC024J3A-DWG071	12122700000029	Grille clamp	2
18	IEFC024J3A-DWG071	12222700000052	display board installation support	2
19	IEFC024J3A-DWG071	12011600000128	Accessory package	1
19.1	IEFC024J3A-DWG071	12100509000028	Drainage hose	1
20	IEFC024J3A-DWG071	121220000007617	Bearing	1
21	IEFC024J3A-DWG071	12622000000013	Bearing base	1
22	IEFC024J3A-DWG071	122220000003769	Supporting board	1
23	IEFC024J3A-DWG071	12222500000254	Supporting board	1
24	IEFC024J3A-DWG071	12122700000030	Grille clamp	2
25	IEFC024J3A-DWG071	12122700000048	Volute shell (above)	3
26	IEFC024J3A-DWG071	12122700000112	Volute shell (below)	3
27	IEFC024J3A-DWG071	12100103000138	Centrifugal fan	3
28	IEFC024J3A-DWG071	12222700000118	Evaporator Left support	1
29	IEFC024J3A-DWG071	12222700000121	Grille strengthening rib	1
30	IEFC024J3A-DWG071	121002040000720	Air filter	3
31	IEFC024J3A-DWG071	12122700000107	Return air grille subassembly	1
32	IEFC024J3A-DWG071	12222700000009	Grille clamp	2
33	IEFC024J3A-DWG071	12822700000024	Foam	1
34	IEFC024J3A-DWG071	12822700000023	Foam	1
35	IEFC024J3A-DWG071	12918000001319	Coupling	1
36	IEFC024J3A-DWG071	12600401000176	rubber base	1
36	IEFC024J3A-DWG071	12900601000007	Connecting shaft	1
37	IEFC024J3A-DWG071	12222700000117	Support board	1
38	IEFC024J3A-DWG071	15826000003033	Evaporator assembly	1
38.1	IEFC024J3A-DWG071	15426000002277	Evaporator input pipe assembly	1
38.2	IEFC024J3A-DWG071	15126000001344	Evaporator output pipe assembly	1
38.3	IEFC024J3A-DWG071	11201007003023	Pipe Temp. sensor ass'y	1
39	IEFC024J3A-DWG071	12222700000038	evaporator installation board	1
40	IEFC024J3A-DWG071	12826000000037	Drainage pan ass'y	1
41	IEFC024J3A-DWG071	12922700000001	Fixing iron wire of water collector	2
42	IEFC024J3A-DWG071	12122700A00063	Panel assembly	1
44	IEFC024J3A-DWG071	11201007000195	Room Temperature Sensor	1
46	IEFC024J3A-DWG071	12222700000033	evaporator installation board	1
47	IEFC024J3A-DWG071	12122700000085	Cover	1
48	IEFC024J3A-DWG071	12222700000057	Cover of electronic control box subassembly	1
49	IEFC024J3A-DWG071	12822700000005	Air outlet foam	1
50	IEFC024J3A-DWG071	12822700000004	Air outlet foam	3
51	IEFC024J3A-DWG071	12822700000007	Air outlet foam	1
53	IEFC024J3A-DWG071	11002010000020	stepper motor	1

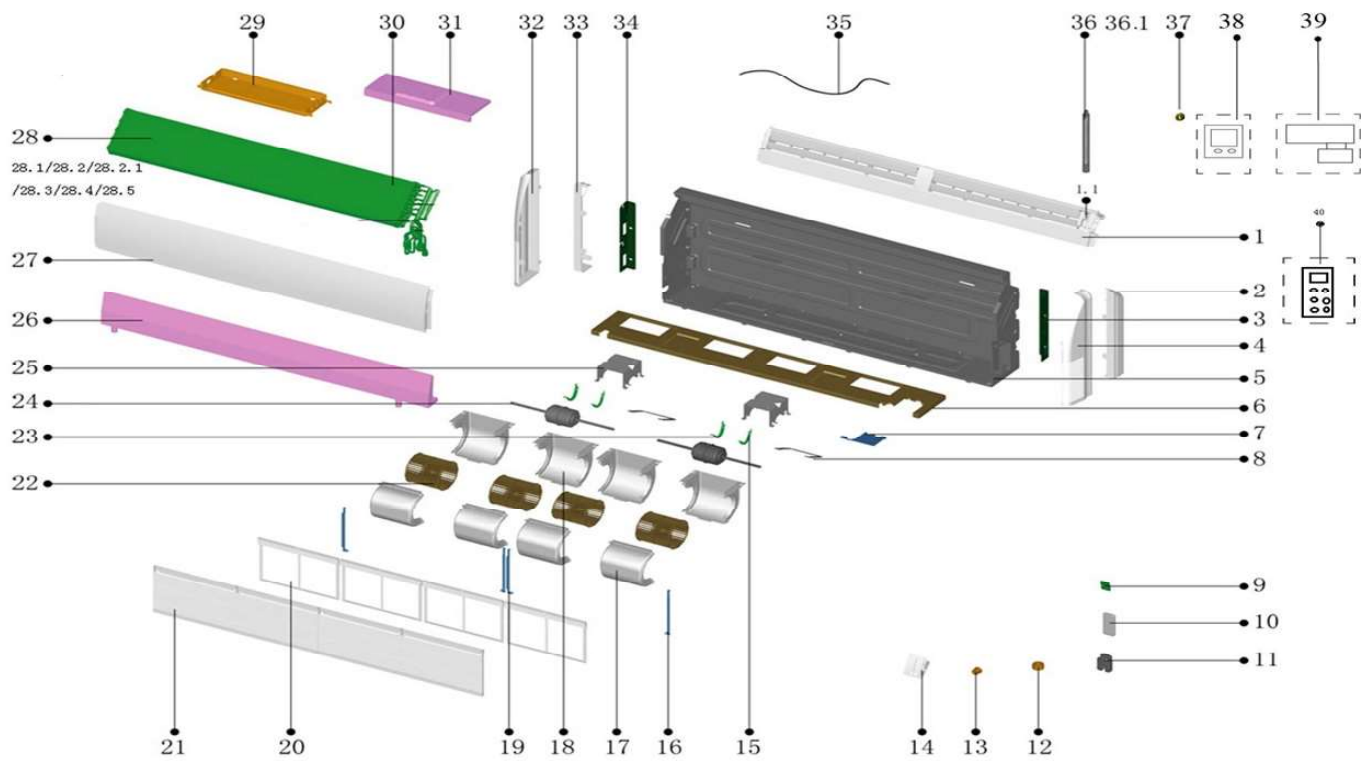
# Indoor Unit Model: IEFC036J3A-DWG105



# Model: IEFC036J3A-DWG105

No.	OMEGA Model	Part No.	Description	Qty.
1	IEFC036J3A-DWG105	1212600000008	Air outlet frame ass'y	1
1.1	IEFC036J3A-DWG105	11002010000078	Stepper motor	1
2	IEFC036J3A-DWG105	12122700000130	Sealing board	1
3	IEFC036J3A-DWG105	12222700000017	Left hook	1
4	IEFC036J3A-DWG105	12122700000089	Cover	1
5	IEFC036J3A-DWG105	12222700000114	Chassis assembly	1
6	IEFC036J3A-DWG105	12222700000022	middle beam	1
7	IEFC036J3A-DWG105	12222700000053	display board installation support	1
8	IEFC036J3A-DWG105	12222500000252	Fan motor fixing board	2
9	IEFC036J3A-DWG105	12222700000052	display board installation support	2
10	IEFC036J3A-DWG105	17317000A58918	Remote controller	1
11	IEFC036J3A-DWG105	12117000000318	Bracket of remote Controller	1
15	IEFC036J3A-DWG105	12222500000255	Fan motor axes clamp (right)	2
16	IEFC036J3A-DWG105	12222700000073	Supporting board	2
17	IEFC036J3A-DWG105	12122700000047	Volute shell (above)	4
18	IEFC036J3A-DWG105	12122700000111	Volute shell (below)	4
19	IEFC036J3A-DWG105	12222700000071	Supporting board	2
20	IEFC036J3A-DWG105	12100204000682	Air filter	4
22	IEFC036J3A-DWG105	12100103000002	centrifuge fan	4
23	IEFC036J3A-DWG105	12222500000253	Fan motor axes clamp (left)	2
24	IEFC036J3A-DWG105	11002012002388	Asynchronous Motor	2
25	IEFC036J3A-DWG105	12222700000003	Supporter of fan motor	2
26	IEFC036J3A-DWG105	12222700000486	Drainage pan ass'y	1
28	IEFC036J3A-DWG105	15826000003072	Evaporator assembly	1
28.1	IEFC036J3A-DWG105	15826000000414	Evaporator	1
28.2	IEFC036J3A-DWG105	15426000002278	Evaporator input pipe assembly	1
28.3	IEFC036J3A-DWG105	15126000004167	Evaporator output pipe assembly	1
28.5	IEFC036J3A-DWG105	11201007000183	Pipe Temperature Sensor	1
29	IEFC036J3A-DWG105	17222700A03374	E-part box assembly	1
29.1	IEFC036J3A-DWG105	17400101000024	Fan motor capacitor	2
29.2	IEFC036J3A-DWG105	11203103000150	Linear Transformer	1
29.3	IEFC036J3A-DWG105	12226000000659	E-part control box	1
29.4	IEFC036J3A-DWG105	17400401000180	Wire joint	1
29.5	IEFC036J3A-DWG105	17400401000201	Wire joint	1
29.6	IEFC036J3A-DWG105	17122700A02546	Indoor unit main control board	1
30	IEFC036J3A-DWG105	11201007000195	Room Temperature Sensor	1
31	IEFC036J3A-DWG105	12222700000056	Cover of electronic control box	1
32	IEFC036J3A-DWG105	12122700000083	Right cover	1
33	IEFC036J3A-DWG105	12122700000130	Sealing board	1
34	IEFC036J3A-DWG105	12222700000086	Clapboard right subassembly	1
36	IEFC036J3A-DWG105	12011600000128	Accessory package	1
36.1	IEFC036J3A-DWG105	12100509000028	Drainage hose	1
37	IEFC036J3A-DWG105	15500406000190	Brass nut	1
37	IEFC036J3A-DWG105	15500406000210	Brass nut	1

# Indoor Unit Model: IEFC048J3A-DWG140

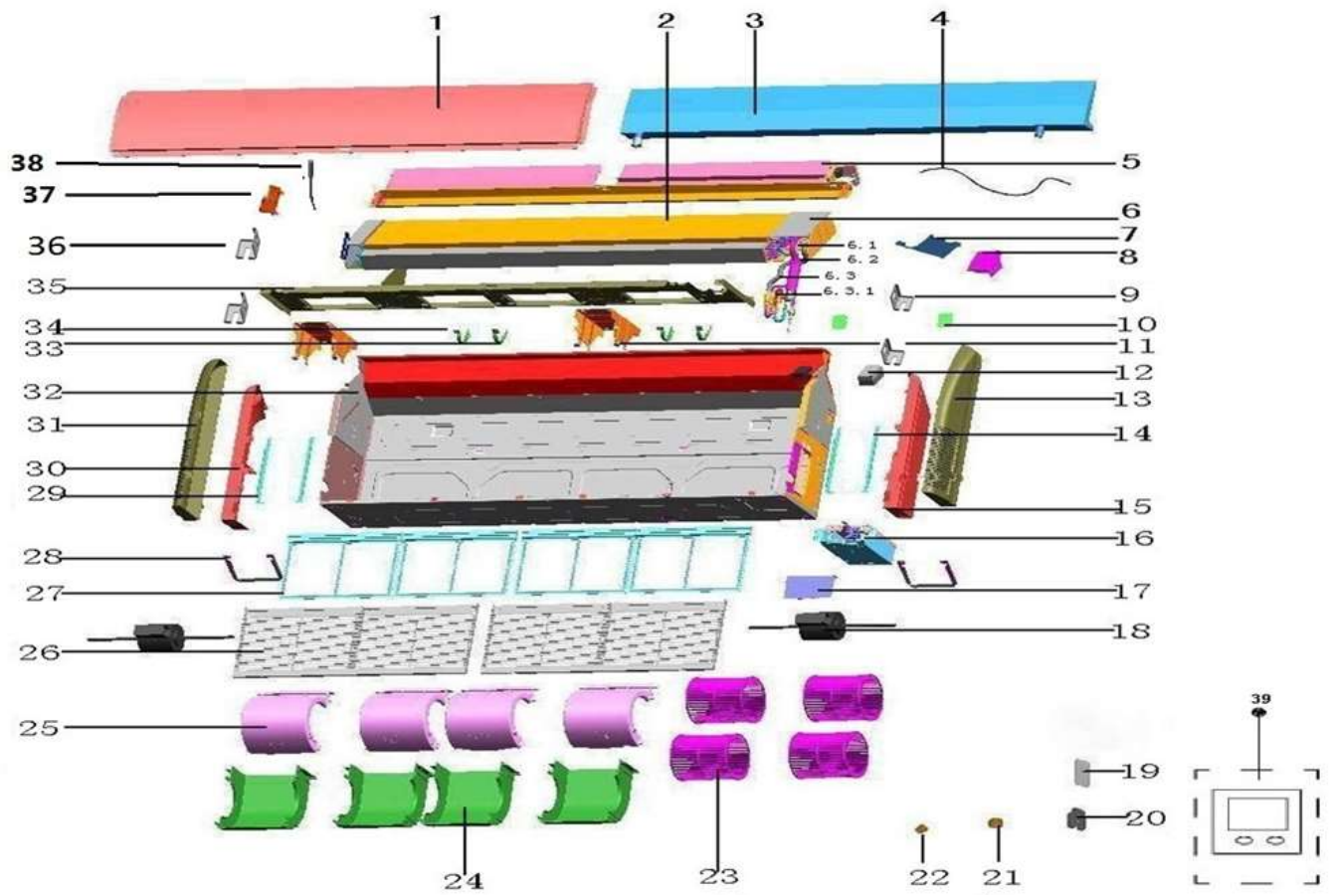


# Model: IEFC048J3A-DWG140

No.	OMEGA Model	Part No.	Description	Qty.
1	IEFC048J3A-DWG140	1212600000008	Air outlet frame ass'y	1
1.1	IEFC048J3A-DWG140	11002010000078	Stepper motor	1
2	IEFC048J3A-DWG140	12122700000130	Sealing board	1
3	IEFC048J3A-DWG140	12222700000017	Left hook	1
4	IEFC048J3A-DWG140	12122700000089	Cover	1
5	IEFC048J3A-DWG140	12222700000114	Chassis assembly	1
6	IEFC048J3A-DWG140	12222700000022	middle beam	1
7	IEFC048J3A-DWG140	12222700000053	display board installation support	1
8	IEFC048J3A-DWG140	12222500000252	Fan motor fixing board	2
9	IEFC048J3A-DWG140	12222700000052	display board installation support	2
10	IEFC048J3A-DWG140	17317000A58918	Remote controller	1
11	IEFC048J3A-DWG140	12117000000318	Bracket of remote Controller	1
15	IEFC048J3A-DWG140	12222500000255	Fan motor axes clamp (right)	2
16	IEFC048J3A-DWG140	12222700000073	Supporting board	2
17	IEFC048J3A-DWG140	12122700000047	Volute shell (above)	4
18	IEFC048J3A-DWG140	12122700000111	Volute shell (below)	4
19	IEFC048J3A-DWG140	12222700000071	Supporting board	2
20	IEFC048J3A-DWG140	12100204000682	Air filter	4
22	IEFC048J3A-DWG140	12100103000002	centrifuge fan	4
23	IEFC048J3A-DWG140	12222500000253	Fan motor axes clamp (left)	2
24	IEFC048J3A-DWG140	11002012002388	Asynchronous Motor	2
25	IEFC048J3A-DWG140	12222700000003	Supporter of fan motor	2
26	IEFC048J3A-DWG140	12222700000486	Drainage pan ass'y	1
28	IEFC048J3A-DWG140	15826000003072	Evaporator assembly	1
28.1	IEFC048J3A-DWG140	15826000000414	Evaporator	1
28.2	IEFC048J3A-DWG140	15426000002278	Evaporator input pipe assembly	1
28.3	IEFC048J3A-DWG140	15126000004167	Evaporator output pipe assembly	1
28.5	IEFC048J3A-DWG140	11201007000183	Pipe Temperature Sensor	1
29	IEFC048J3A-DWG140	17222700A03374	E-part box assembly	1
29.1	IEFC048J3A-DWG140	17400101000024	Fan motor capacitor	2
29.2	IEFC048J3A-DWG140	11203103000150	Linear Transformer	1
29.3	IEFC048J3A-DWG140	12226000000659	E-part control box	1
29.4	IEFC048J3A-DWG140	17400401000180	Wire joint	1
29.5	IEFC048J3A-DWG140	17400401000201	Wire joint	1
29.6	IEFC048J3A-DWG140	17122700A02546	Indoor unit main control board	1
30	IEFC048J3A-DWG140	11201007000195	Room Temperature Sensor	1
31	IEFC048J3A-DWG140	12222700000056	Cover of electronic control box	1
32	IEFC048J3A-DWG140	12122700000083	Right cover	1
33	IEFC048J3A-DWG140	12122700000130	Sealing board	1
34	IEFC048J3A-DWG140	12222700000086	Clapboard right subassembly	1
36	IEFC048J3A-DWG140	12011600000128	Accessory package	1
36.1	IEFC048J3A-DWG140	12100509000028	Drainage hose	1
37	IEFC048J3A-DWG140	15500406000190	Brass nut	1
37	IEFC048J3A-DWG140	15500406000210	Brass nut	1



Indoor Unit Model: IEFC060J3A-DWG160



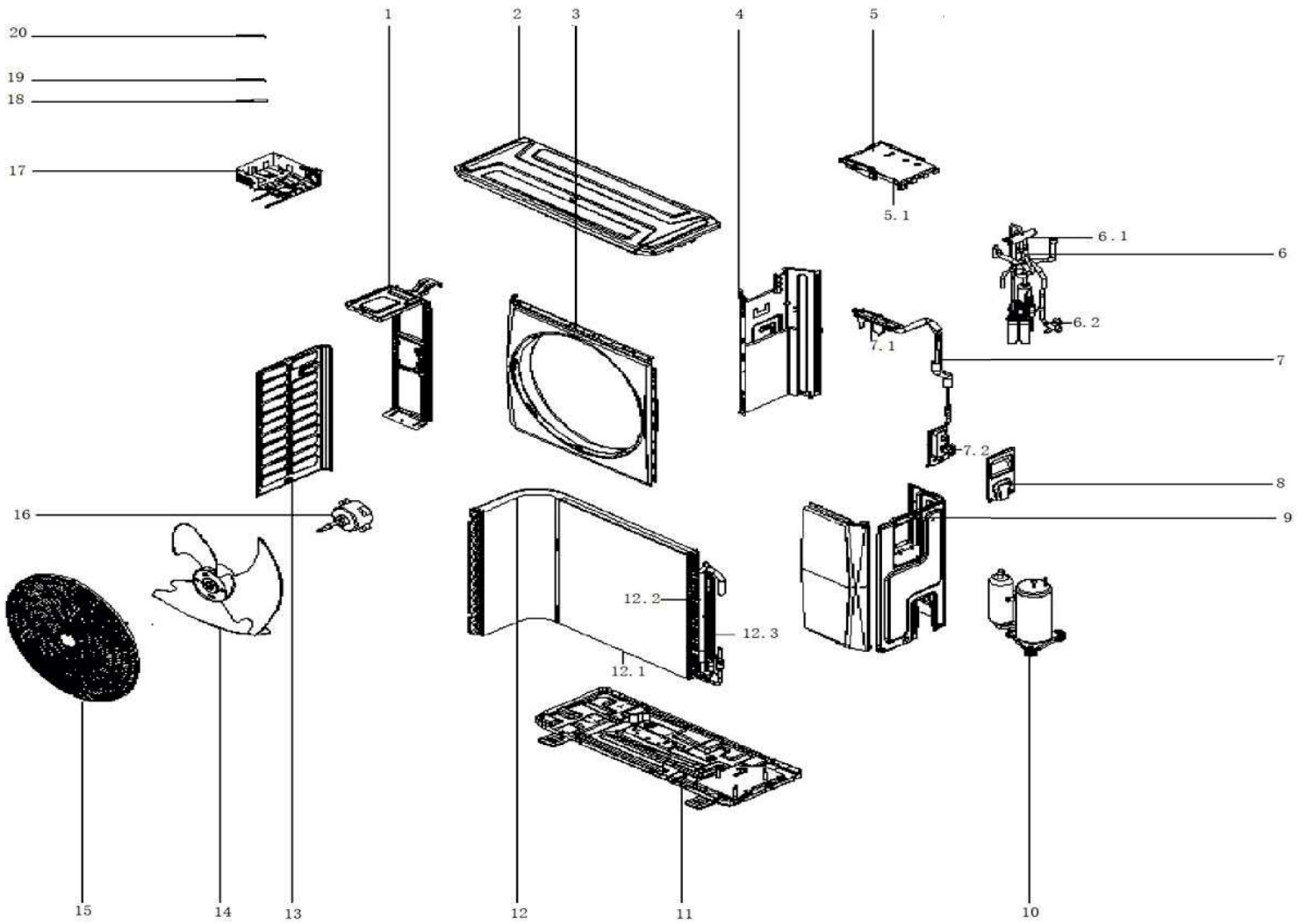
# Model: IEFC060J3A-DWG160

No.	OMEGA Model	Part No.	Description	Qty.
2	IEFC060J3A-DWG160	12222700000011	Evaporator Supporting Plate	1
3	IEFC060J3A-DWG160	122227000000446	Drainage pan ass'y	1
5	IEFC060J3A-DWG160	12126000000009	Air outlet frame ass'y	1
6	IEFC060J3A-DWG160	158260000003032	Evaporator assembly	1
7	IEFC060J3A-DWG160	122227000000053	display board installation support	1
9	IEFC060J3A-DWG160	122227000000016	Left hook	2
10	IEFC060J3A-DWG160	122227000000052	display board installation support	2
11	IEFC060J3A-DWG160	122230000000564	Fan motor support	2
12	IEFC060J3A-DWG160	12400202003661	Sponge	1
13	IEFC060J3A-DWG160	121227000000083	Right cover	1
14	IEFC060J3A-DWG160	122227000000071	Supporting board	2
15	IEFC060J3A-DWG160	121227000000131	Sealing board	1
16	IEFC060J3A-DWG160	17222700A03375	E-part box assembly	1
16.1	IEFC060J3A-DWG160	17400401000201	Wire joint	1
16.2	IEFC060J3A-DWG160	17400401000258	Wire joint	1
16.3	IEFC060J3A-DWG160	11203103000145	Linear Transformer	1
16.4	IEFC060J3A-DWG160	17122700A02548	Indoor unit main control board	1
16.5	IEFC060J3A-DWG160	122227000000081	Electrical Control Box Cover	1
16.6	IEFC060J3A-DWG160	122227000000082	Electronic control box	1
17	IEFC060J3A-DWG160	122260000000030	Electric control box cover	1
18	IEFC060J3A-DWG160	11002012001842	Single asynchronous motor	2
19	IEFC060J3A-DWG160	17317000A58918	Remote controller	1
20	IEFC060J3A-DWG160	12117000000318	Bracket of remote Controller	1
23	IEFC060J3A-DWG160	12100103000079	centrifuge fan	4
24	IEFC060J3A-DWG160	121230000000022	bottom volute	4
25	IEFC060J3A-DWG160	121230000000024	top volute	4
27	IEFC060J3A-DWG160	12100204000682	Air filter	4
28	IEFC060J3A-DWG160	122225000000252	Fan motor fixing board	2
29	IEFC060J3A-DWG160	122227000000073	Supporting board	2
30	IEFC060J3A-DWG160	121227000000129	Sealing board	1
31	IEFC060J3A-DWG160	121227000000089	Cover	1
32	IEFC060J3A-DWG160	122227000000060	Chassis assembly	1
33	IEFC060J3A-DWG160	122225000000253	Fan motor axes clamp (left)	2
34	IEFC060J3A-DWG160	122225000000255	Fan motor axes clamp (right)	2
35	IEFC060J3A-DWG160	122260000000022	Middle beam ass'y	1
36	IEFC060J3A-DWG160	122227000000018	Right hook	2
38	IEFC060J3A-DWG160	11201007000195	Room Temperature Sensor	1

# Exploded Views and Parts List.

Outdoor Unit Model:

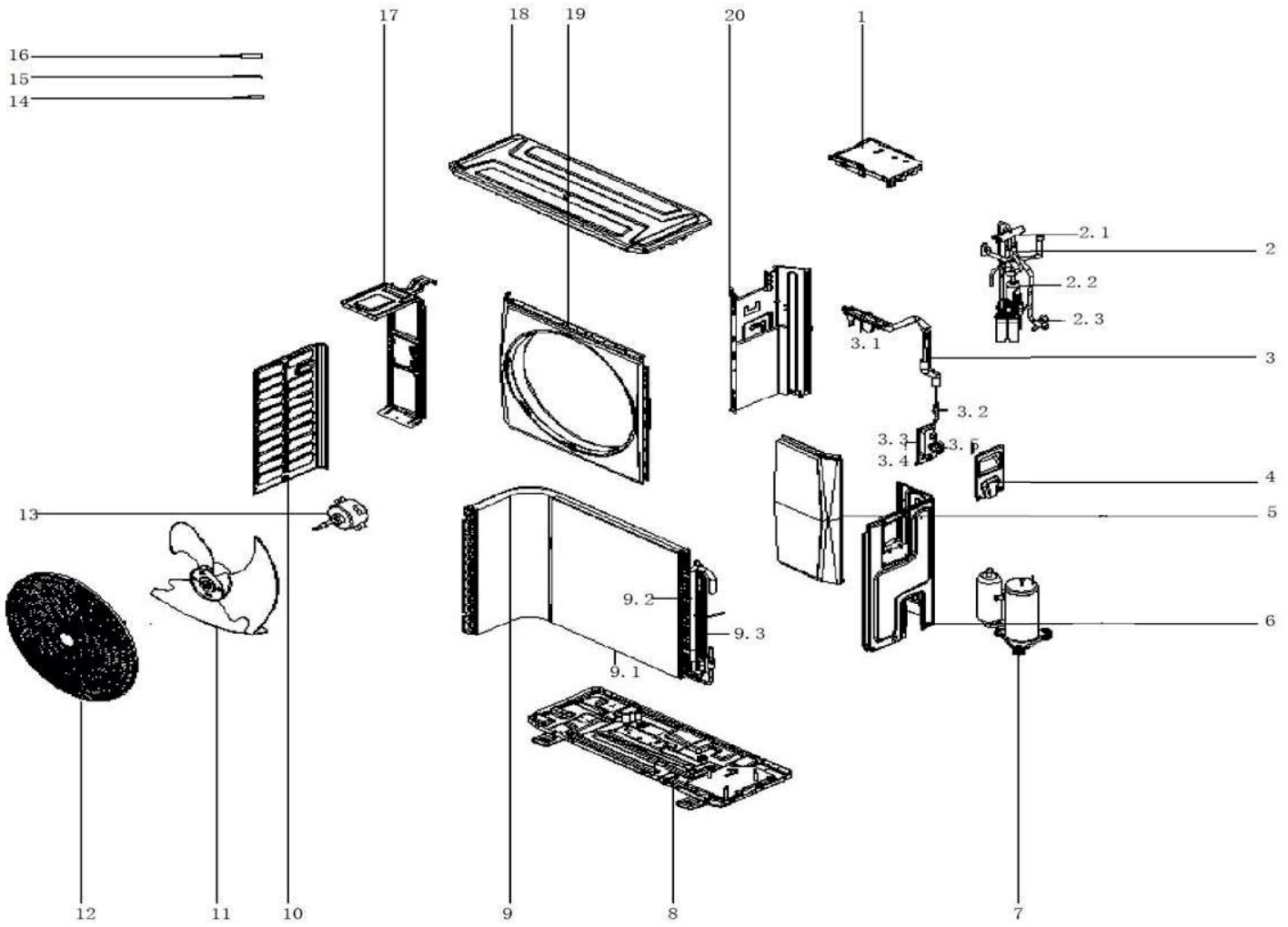
ICHD018J0A-DMG053



## Model: ICHD018J0A-DMG053

EX_ID	Spare Parts Code	Part Name(EN)	Qty.	Remark 2	Drawing No
1	12223000015529	Motor holder assembly	1		KFR-51W/BP3N1-B01.9E
2	12227000014851	Top cover assembly	1		KFR-35W/BP3N1-B01.4A
3	12223000014492	Front panel assembly	1		KFR-35W/BP2N1-B01(Z).1
4	12222000002230	Partition board	1		B01.BJ-9
5	17123000006168	Outdoor main control board assembly	1		V-KOK51-DMD-A-2[KSN140D21UFZ_RX24T_PSS20S92F6]
5.1	12123000001143	Electronic control box	1		WC01,DKH,SL-1(Z)
6	15423000005480	Four-way valve assembly	1		KFR-51W/BP2N1-B02(TR).ZL.2
6.1	15500216000026	4-way Valve	1		STF-02BN1(VHR)
6.2	15500204000047	Gas valve	1		DYF-B23N1
7	15423000005059	High pressure valve assembly	1		CFAN-X51TR.ZL.1
7.1	15427000002762	Heat sink assembly	1		KFR-51W/BP3N1-B10T2(TR).ZL.2.1
7.2	15500208000028	Liquid valve	1		GYF-A28N
8	12123000002361	Large handle assembly	1		KFR-26W/BP3N1-A01.5A(Z)
9	12223000014489	Side panel assembly	1		KFR-35W/BP2N1-B01(Z).2A
10	11103020003919	DC Inverter Rotary Compressor	1		KSN140D21UFZ
11	12223000011665	Base assembly	1		B01.BJ.1C
12	15823000006266	B unit condenser assembly	1		KFR-51W/BP2N1-B02(TR).ZL.1B
12.1	15823000006271	Condenser A	1		KFR-51W/BP2N1-B02(TR).ZL.1.1B
12.2	15123000011700	B condenser input pipe assembly	1		KFR-51W/BP2N1-B02(TR).ZL.1.2
12.3	15423000004973	Condenser output pipe assembly	1		KFR-51W/BP2N1-B02(TR).ZL.1.3
13	12223000014490	Column	1		KFR-26W/BP3N1-A01.6(Z)
14	12100105000051	Axial flow fan	1		ZL-427*139*8-3KN
15	12123000001922	Wind nets	1		WB01.SL-1(Z)
16	11002015000325	Brushless DC Motor	1		ZKFN-56-8-1
17	12223000012499	Electric control box welding assembly	1		KFR-26W/BP2N1-A09.D.13.DK1.1A(Z)
18	11201007002020	Room Temperature Sensor	1	T4: Ambient temperatur e sensor	CGQ-WD/SW4100-L550-SMP2-P450-HT1.0
19	11201007000136	Pipe Temperature Sensor	1	T3: Heat exchanger outlet temperatur e sensor	CGQ-WD/GW4100-L850-SMP3B-P800
20	11201007000005	Discharge Temperature Sensor	1	TP: Discharge emperatur e sensor	CGQ-WD/PQ3950-L380-SMP2R-G340

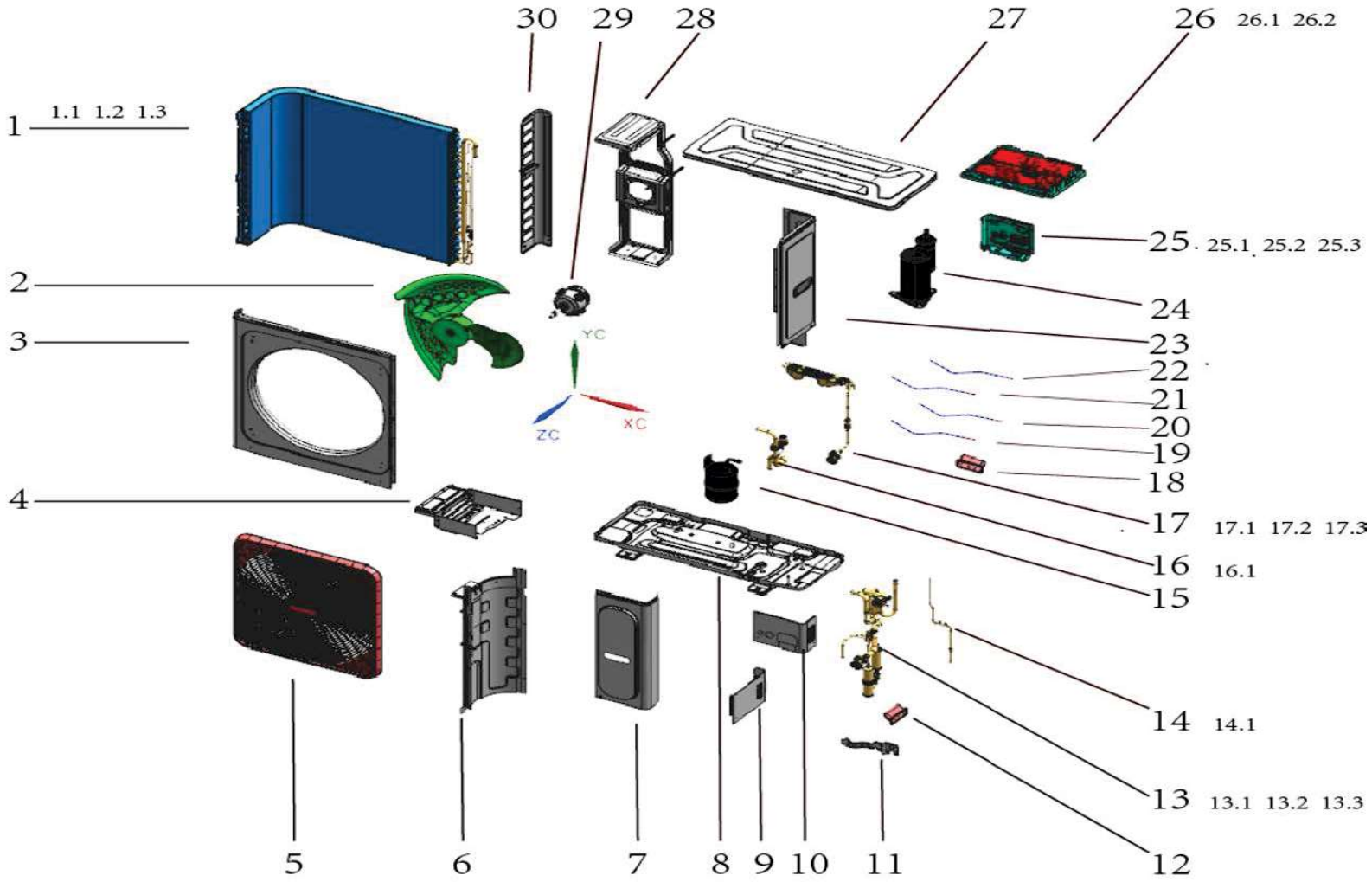
**Outdoor Unit Model:  
ICHD024J0A-DMG071**



**Model: ICHD024J0A-DMG071**

EX_ID	Spare Parts Code	Part Name(EN)	Qty.	Remark2	Drawing No
1	17123000006166	Outdoor main control board assembly	1		V-KOK72-DMD-A-2[KTM240D57UMT_RX24T_PSS30S92F6]
2	15423000005078	Four-way valve assembly	1		CFAN-X72TR.ZL.3
2.1	15500216000026	4-way Valve	1		STF-02BN1(VHR)
2.2	15500506000144	Muffler	1		XSQ-10A
2.3	15500204000025	Gas valve	1		DYF-C15N1
3	15423000A01255	High pressure valve assembly	1		KFR-72W/BP2N1-C02(TR).ZL.2(CLIVET)
3.1	15427000002759	Heat sink assembly	1		KFR-72W/BP3N1-C10T2(TR).ZL.2.1
3.2	15500208000025	Liquid valve	1		GYF-A18N
3.3	12223000011652	Valve plate	1		KFR-51W-C01-1
3.4	15500210000125	Throttle valve	1		JLF(G)-054-W8-N6
3.5	15500210000344	Throttle valve	1		JLF(G)-050-N8-N6
4	12227000011039	Large handle	1		KFR-51W-C01.8A
5	12223000011664	Front Right Side Plate Assembly	1		KFR-51W-C01.5
6	12223000014493	Side panel assembly	1		KFR-51W-C02.7
7	11103020004119	DC Inverter Rotary Compressor	1		ATM240D57UMT
8	12225100000706	Chassis part	1		KFR-72W-C01.1
9	15823000006274	B unit condenser assembly	1		KFR-72W/BP2N1-C02(TR).ZL.1C
9.1	15823000006278	Condenser	1		KFR-72W/BP2N1-C02(TR).ZL.1.1C
9.2	15123000011686	Condenser input pipe assembly	1		KFR-72W/BP2N1-C02(TR).ZL.1.3
9.3	15423000004969	Condenser output pipe assembly	1		KFR-72W/BP2N1-C02(TR).ZL.1.2
10	12223000014488	Column	1		KFR-51W-C01.9(Z)
11	12100105000022	Axial flow fan	1		ZL-554*148*12-3KFN
12	12123000001921	Wind nets	1		WC01.SL-1(Z)
13	11002015000366	Brushless DC Motor	1		ZKFN-80-8-3
14	11201007000039	Room Temperature Sensor	1	T4	CGQ-WD/SW4100-L850-SMP2-P650(HT1.0)
15	11201007000250	Pipe Temperature Sensor	1	T3	CGQ-WD/GW4100-L1100-SMP3B-P850
16	11201007000083	Discharge Temperature Sensor	1	TP	CGQ-WD/PQ3950-L500-SMP2R-G400
17	12222200001465	Supporter subassembly of fan motor	1		KFR-51W-C01.2A
18	12223000014496	Top cover assembly	1		KFR-51W-C01.3C
19	12223000011657	Right front panel	1		KFR-51W-C01.4-1
20	12223000012497	Partition board assembly	1		KFR-72W/BP2N1-C01.6A

**Outdoor Unit Model:  
ICHD036J0A-DMG105**

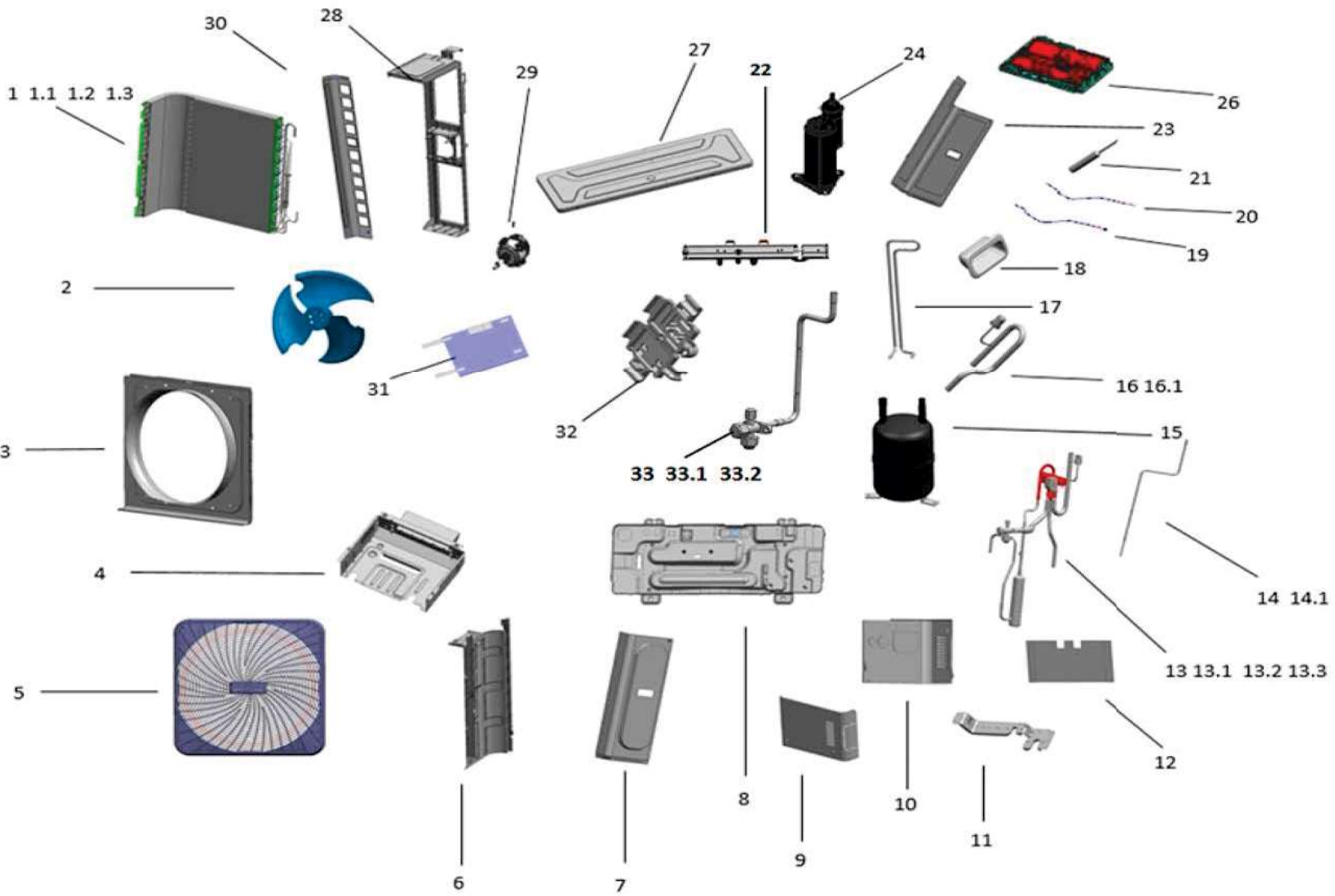


**Model:ICHD036J0A-DMG105**

EX_ID	Spare Parts Code	Part Name(EN)	Qty.	Remarks	Drawing No
1	15823000005184	Condenser part	1		KFR-120W/N1-5R1(E1).ZL.1
1.1	15827000001589	Condenser	1		KFR-120W/N1-5R1(E1).ZL.1.1
1.2	15127000008865	B condenser input pipe assembly	1		KFR-120W/N1-5R1(E1).ZL.1.3
1.3	15427000004347	Condenser output pipe assembly	1		KFR-120W/N1-5R1(E1).ZL.1.2
2	12100105000641	Axial fan	1		ZL-580*190*15-3
3	12223000012489	Front panel	1		KFR-120W/BP2N1-5R1(TR)-1
4	12223000012493	Electric control box welding assembly	1		KFR-120W/BP2N1-5R1(TR).D.1.1
5	12125300001380	Wind nets assembly	1		MDVH-V120W/N1-5R0(E1).3
6	12227000010105	Partition board assembly	1		MDVH-V120W/N1-5R1(E1).11
7	12227000010097	Front Right Side Plate Assembly	1		MDVH-V120W/N1-5R1(E1).6
8	12227000010100	Base assembly	1		MDVH-V120W/N1-5R1(E1).1
9	12227000010099	Rear Tube Side Plate	1		MDVH-V120W/N1-5R1(E1)-5
10	12227000010109	Front Tube Side Plate	1		MDVH-V120W/N1-5R1(E1)-7
11	12227000010098	Valve plate	1		MDVH-V120W/N1-5R1(E1)-12
12	12100701000196	Handle	1		MDVH-V120W/N1-612TR(E1)-3
13	15423000004964	Four-way valve assembly	1		KFR-120W/N1-5R1(E1).ZL.3
13.1	15500204000037	Gas valve	1		DYF-C16N1
13.2	15500216000153	Four-way valve kit	1		STF-02BN1-L600-VHR
13.3	17400516000032	Pressure switch	1		YK-4.4/3.2-600(UL)
14	15423000004963	High pressure valve assembly	1		KFR-120W/N1-5R1(E1).ZL.4
14.1	15500210003571	Throttle	1		JLF(G)-069-W8-N8
15	15500501001768	Gas-liquid separator	1		QYFLQ-16*1.8*126*V2.3(L)(G)
16	15423000004962	Suction pipe assembly	1		KFR-120W/N1-5R1(E1).ZL.2
16.1	17400516000022	Pressure switch	1		YK-0.05/0.15-540
17	15427000004346	Heat sink assembly	1		KFR-120W/N1-5R1(E1).ZL.5
17.1	15100113008680	Straight pipe	1		ZG-8*0.6*75(N8*8)
17.2	15500210003570	Throttle	1		JLF(G)-058-W8-N8
17.3	15427000004345	Heat sink assembly	1		KFR-120W/N1-5R1(E1).ZL.5.1
18	12125300002160	Handle	1		CE-MDV140W/DN1-610-13D
19	11201007000083	Discharge Temperature Sensor	1		CGQ-WD/PQ3950-L500-SMP2R-G400
20	11201007000025	Room Temperature Sensor	1		CGQ-WD/SW4100-L1000-SMP2-P900-02
21	11201007000382	Pipe Temperature Sensor	1		CGQ-WD/GW4100-L1300-SMP3B-P1200
22	11201007000147	Pipe Temperature Sensor	1		CGQ-WD/GW4100-L600-SMP3BL-P550
23	12227000010103	Right Rear Side Panel Assembly	1		MDVH-V120W/N1-5R1(E1).4
24	11103020004360	DC Inverter Rotary Compressor	1		KTM240D57UMT
25	17227000003661	E-part box assembly	1		KFR-120W/BP2N1-5R1(TR).D.2
25.1	12227000010106	Electrical appliance mounting plate assembly	1		MDVH-V120W/N1-5R1(E1).D.2.1
25.2	17400401000073	Wire joint	1		JXZ-AG3ZG1-A(RS9102/JX-O-3)
25.3	17400401000253	Wire joint	1		JXZ-AD6Z-E
26	17223000A05982	E-part box assembly	1		KFR-120W/BP2N1-5R1(TR).D.1(DZ)
27	12227000012486	Top cover assembly	1		MDVH-V120W/N1-5R1(E1).8A
28	12227000010102	Motor bracket I assembly	1		MDVH-V120W/N1-5R1(E1).9
29	11002015006321	Brushless DC Motor	1		ZKSP-170-8-9
30	12223000012491	Side panel assembly	1		KFR-120W/BP2N1-5R1(TR).1



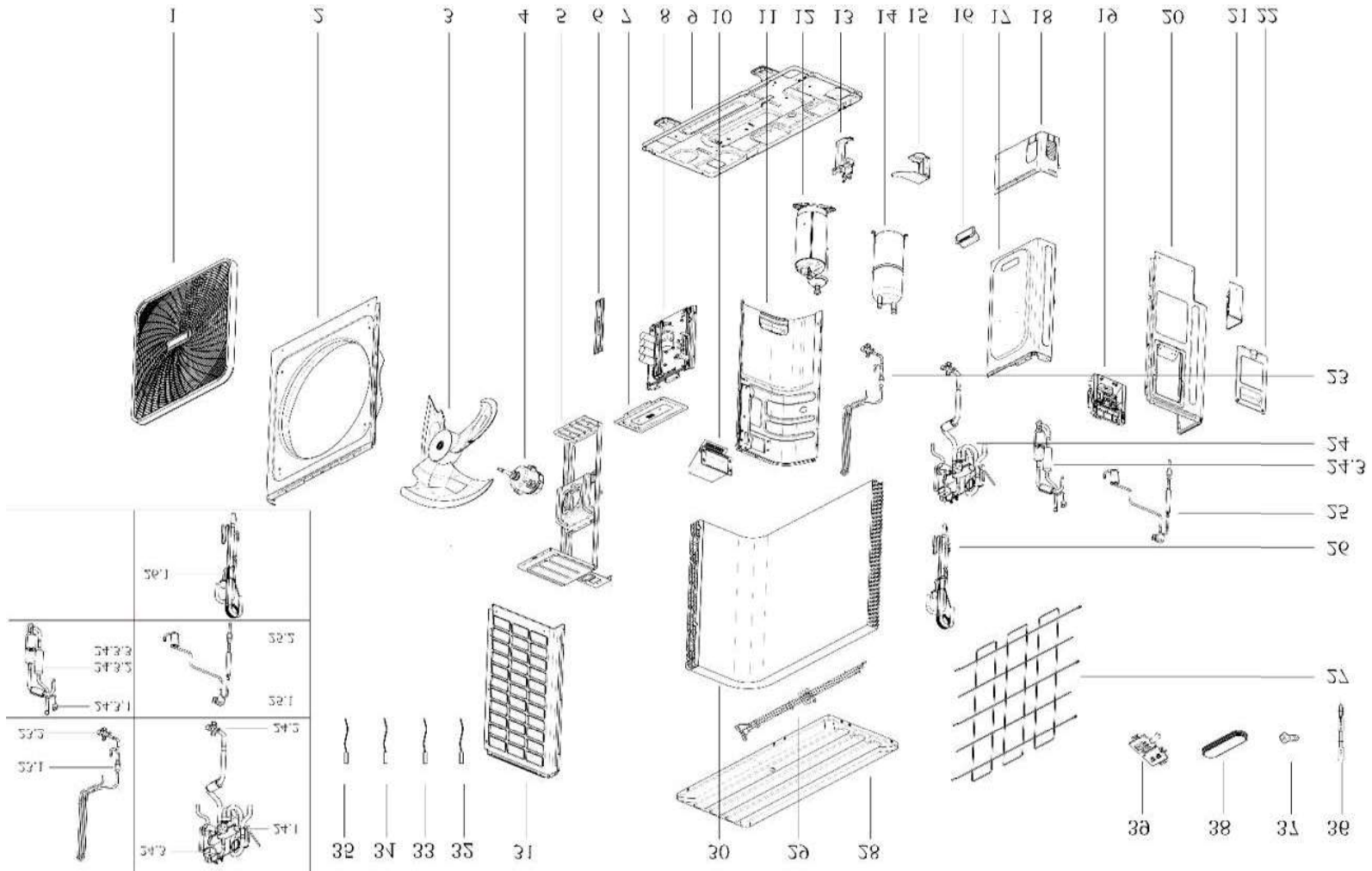
**Outdoor Unit Model:  
ICHD048J0A-DMG140**



**Model:ICHD048J0A-DMG140**

EX_ID	Spare Parts Code	Part Name(EN)	Qty.	Remark2	Drawing No
1	15823000005182	Condenser part	1		KFR-140W/N1-5R1(E1).ZL.1
1.1	15827000001588	Condenser	1		KFR-140W/N1-5R1(E1).ZL.1.1
1.2	15127000007621	B condenser input pipe assembly	1		MDVH-V120W/N1-5R1(E1).ZL.1.2
1.3	15427000003566	Output pipe assembly I of condenser	1		MDVH-V120W/N1-5R1(E1).ZL.1.3
2	12100105000641	Axial fan	1		ZL-580*190*15-3
3	12223000012489	Front panel	1		KFR-120W/BP2N1-5R1(TR)-1
4	12223000012493	Electric control box welding assembly	1		KFR-120W/BP2N1-5R1(TR).D.1.1
5	12125300001380	Wind nets assembly	1		MDVH-V120W/N1-5R0(E1).3
6	12227000010105	Partition board assembly	1		MDVH-V120W/N1-5R1(E1).11
7	12227000010097	Front Right Side Plate Assembly	1		MDVH-V120W/N1-5R1(E1).6
8	12227000010100	Base assembly	1		MDVH-V120W/N1-5R1(E1).1
9	12227000010099	Rear Tube Side Plate	1		MDVH-V120W/N1-5R1(E1)-5
10	12227000010109	Front Tube Side Plate	1		MDVH-V120W/N1-5R1(E1)-7
11	12227000010098	Valve plate	1		MDVH-V120W/N1-5R1(E1)-12
12	12100701000196	Handle	1		MDVH-V120W/N1-612TR(E1)-3
13	15423000004960	Four-way valve assembly	1		KFR-140W/N1-5R1(E1).ZL.3
13.1	15500204000037	Gas valve	1		DYF-C16N1
13.2	15500216000153	Four-way valve kit	1		STF-02BN1-L600-VHR
13.3	17400516000032	Pressure switch	1		YK-4.4/3.2-600(UL)
14	15427700001590	Throttle assembly	1		KFR-140W/N1-5R1(E1).ZL.4
14.1	15500210003569	Throttle	1		JLF(G)-062H/C082-W8-N8
15	15500501001768	Gas-liquid separator	1		QYFLQ-16*1.8*126*V2.3(L)(G)
16	15423000004961	Suction pipe assembly	1		KFR-140W/N1-5R1(E1).ZL.2
16.1	17400516000022	Pressure switch	1		YK-0.05/0.15-540
17	15427000004344	Heat sink assembly	1		KFR-140W/N1-5R1(E1).ZL.5
17.1	15500204000008	Gas valve	1		DYF-A22N1
17.2	15500210003568	Throttle	1		JLF(G)-112-W8-N8
17.3	15427000004345	Heat sink assembly	1		KFR-120W/N1-5R1(E1).ZL.5.1
18	12125300002160	Handle	1		CE-MDV140W/DN1-610-13D
19	11201007000083	Discharge Temperature Sensor	1		CGQ-WD/PQ3950-L500-SMP2R-G400
20	11201007000025	Room Temperature Sensor	1		CGQ-WD/SW4100-L1000-SMP2-P900-02
21	11201007000382	Pipe Temperature Sensor	1		CGQ-WD/GW4100-L1300-SMP3B-P1200
22	11201007000147	Pipe Temperature Sensor	1		CGQ-WD/GW4100-L600-SMP3BL-P550
23	12227000010103	Right Rear Side Panel Assembly	1		MDVH-V120W/N1-5R1(E1).4
24	11103020006699	DC Inverter Rotary Compressor	1		ATF400D64UMTC
25	17227000003661	E-part box assembly	1		KFR-120W/BP2N1-5R1(TR).D.2
25.1	12227000010106	Electrical appliance mounting plate assembly	1		MDVH-V120W/N1-5R1(E1).D.2.1
25.2	17400401000073	Wire joint	1		JXZ-AG3ZG1-A(RS9102/JX-O-3)
25.3	17400401000253	Wire joint	1		JXZ-AD6Z-E
26	17223000A05978	E-part box assembly	1		KFR-140W/BP2N1-5R1(TR).D.1(DZ)
27	12227000012486	Top cover assembly	1		MDVH-V120W/N1-5R1(E1).8A
28	12227000010102	Motor bracket I assembly	1		MDVH-V120W/N1-5R1(E1).9
29	11002015006321	Brushless DC Motor	1		ZKSP-170-8-9
30	12223000012491	Side panel assembly	1		KFR-120W/BP2N1-5R1(TR).1

**Outdoor Unit Model:  
ICHD060J0A-DMG160**



# Model:ICHD060J0A-DMG160

EX_ID	Spare Parts Code	Part Name(EN)	Qty.	Remark2	Drawing No
1	12125300001380	Wind nets assembly	1		MDVH-V120W/N1-5R0(E1).3
2	12227000007792	Right front panel	1		MDVH-V120W/N1-5R0(E1)-3
3	12100105000641	Axial fan	1		ZL-580*190*15-3
4	11002015006321	Brushless DC Motor	1		ZKSP-170-8-9
5	12227000007797	Motor bracket I assembly	1		MDVH-V120W/N1-5R0(E1).12
6	12225200005232	Clamp	1		MDVH-V120W/N1-5R0(E1).D.1-3
7	12227000007932	E-Part box cover	1		MDVH-V120W/N1-5R0(E1)-16
8	17227000A05790	E-part box assembly	1		MDVH-V160W/N1-5R1(E1).D.2(DZ1)
8.1	17127000A03863	Outdoor main control board assembly	1		MDVH-V160W/N1-615TR(E1).D.1.1(DZ1)
8.2	12227000007772	E-part box	1		MDVH-V120W/N1-5R0(E1).D.1.2
8.3	12227000007773	E-part box	1		MDVH-V120W/N1-5R0(E1).D.1.3
8.4	12125000000209	Wire across clasp	1		MDVH-V120W/N1-5R0(E1).D.1-11
8.5	17127000008781	Filter board assembly	1		MDVH-V160W/N1-615(TR).D.2.1.1.2
9	12227000007805	Base assembly	1		MDVH-V120W/N1-5R0(E1).1
10	12127000000496	Rainproof cover	1		MDVH-V120W/N1-5R0(E1)-20
11	12227000007807	Partition board assembly	1		MDVH-V120W/N1-5R0(E1).10
12	11103020003279	DC Inverter Rotary Compressor	1		ATF400D64UMV
13	12227000007793	Valve plate	1		MDVH-V120W/N1-5R0(E1)-11
14	15500501001708	Seporator	1		QYFLQ-19*16*1.8*128*V4.1(G)
15	12227000007804	Support plate	1		MDVH-V120W/N1-5R0(E1)-15
16	12100701000196	Handle	1		MDVH-V120W/N1-612TR(E1)-3
17	12227000007796	Front Right Side Plate Assembly	1		MDVH-V100W/N1-5R0(E1).5
18	12227000007806	Clapboard	1		MDVH-V120W/N1-5R0(E1)-9
19	17225300002340	Terminal electrical control box assembly	1		MDVH-V160W/N1-5R1(E1).D.3
19.1	12127000000556	Wire connecting box assembly	1		MDVH-V120W/N1-5R0(E1).D.1.6
19.2	17400401000073	Wire joint	1		JXZ-AG3ZG1-A(RS9102/JX-O-3)
19.3	17400401000253	Wire joint	1		JXZ-AD6Z-E
20	12227000011768	Rear-Right Side Plate Assembly	1		MDVH-V160W/N1-5R1(E1).7
21	12227000007795	Clapboard	1		MDVH-V120W/N1-5R0(E1)-8
22	12227000007741	Big handle assembly	1		MDVH-V120W/N1-5R0(E1).6
23	15427000A01913	High pressure valve assembly	1		MCR3-X 160M.ZL.5
23.1	15427000002482	Heat sink assembly	1		MDVH-V120W/N1-615TR(E1).ZL.7
23.2	15500204000008	Gas valve	1		DYF-A22N1
24	15427000A01914	Four-way valve assembly	1		MCR3-X 160M.ZL.2
24.1	15500216000103	4-way valve suite	1		STF-02BN1-L800-VHR
24.2	15500204000365	Low pressure valve	1		DYF-C16N1(B)
24.3	15427000A01912	Air discharge pipe assembly	1		MCR3-X 160M.ZL.2.1
24.3.1	17400516000032	Pressure switch	1		YK-4.4/3.2-600(UL)
24.3.2	15500508000135	Accumulator tank	1		ZYG-03C
26	15427000A01915	Suction pipe assembly	1		MCR3-X 160M.ZL.3
26.1	17400516000022	Pressure switch	1		YK-0.05/0.15-540
27	12125300001380	Wind nets assembly	1		MDVH-V120W/N1-5R0(E1).3
28	12227000007794	Top cover assembly	1		MDVH-V120W/N1-5R0(E1).4
29	17401203018899	Compressor wire joint assembly	1		YSJ825-P-RDO-BLO-BKO-12#-CH(150°C)
30	15827000001528	Condenser part	1		MDVH-V140W/N1-5R1(E1).ZL.1
31	12227000007803	Clapboard	1		MDVH-V120W/N1-5R0(E1)-2
33	11201007003028	Room Temperature Sensor	1	T4	CGQ-WD/SW4100-L700-SMP2WH-P650(H1.0)
34	11201007000382	Pipe Temperature Sensor	1	T3	CGQ-WD/GW4100-L1300-SMP3B-P1200
35	11201007002460	Discharge Temperature Sensor	1	T5	CGQ-WD/PQ3950-L500-XAP2-G450(WK30)
37	12100509000553	Drain hose	1		RF26WWW/S-8R0L.11
38	12627000000002	Chassis waterproof cover	1		CE-MDV140W/DN1-610-12
39	12100303001022	Sensor clamp	1		WBK-10A