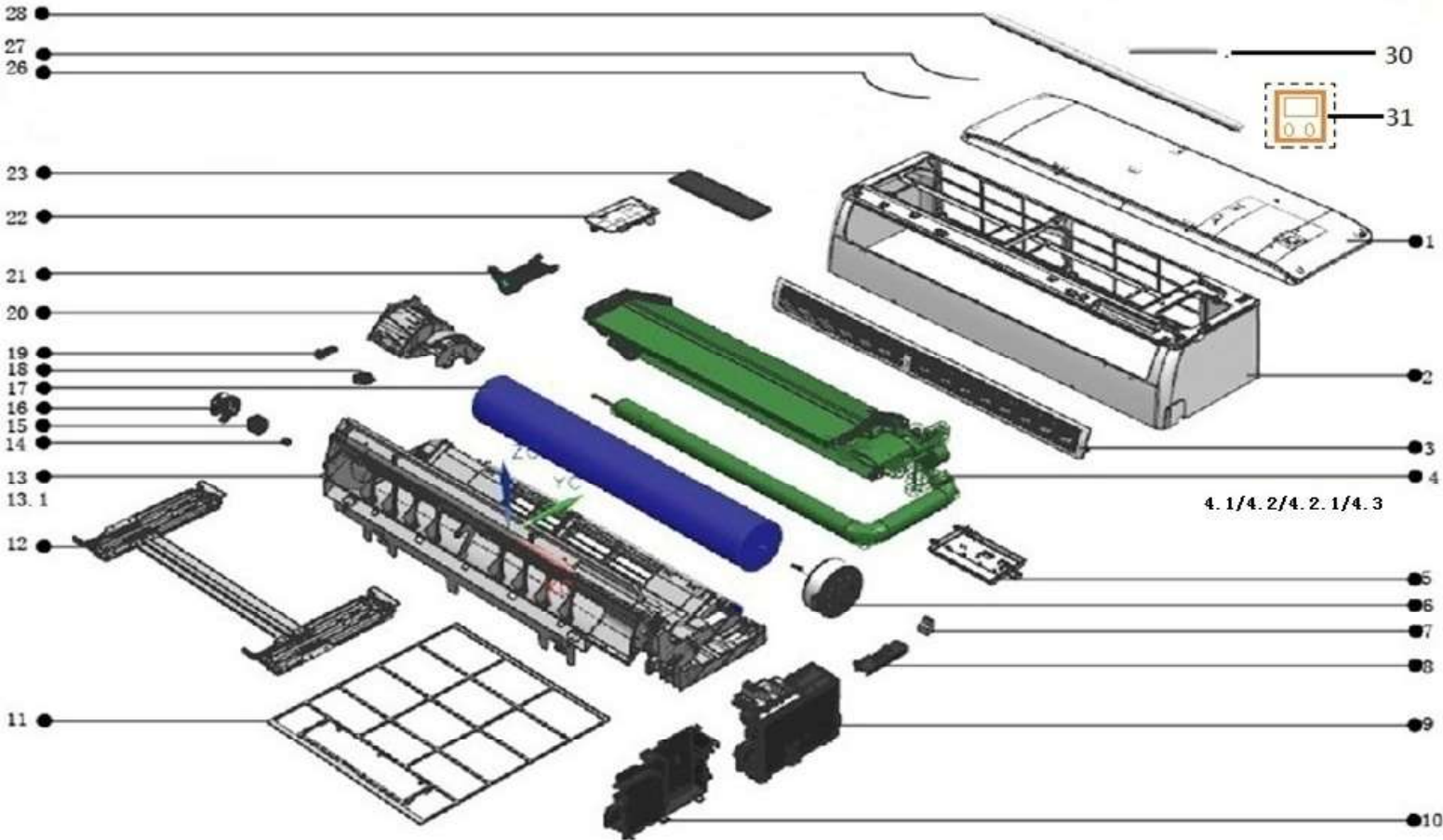


Exploded Views and Parts Listing

Indoor Unit Model: BEWM008Q3A-D

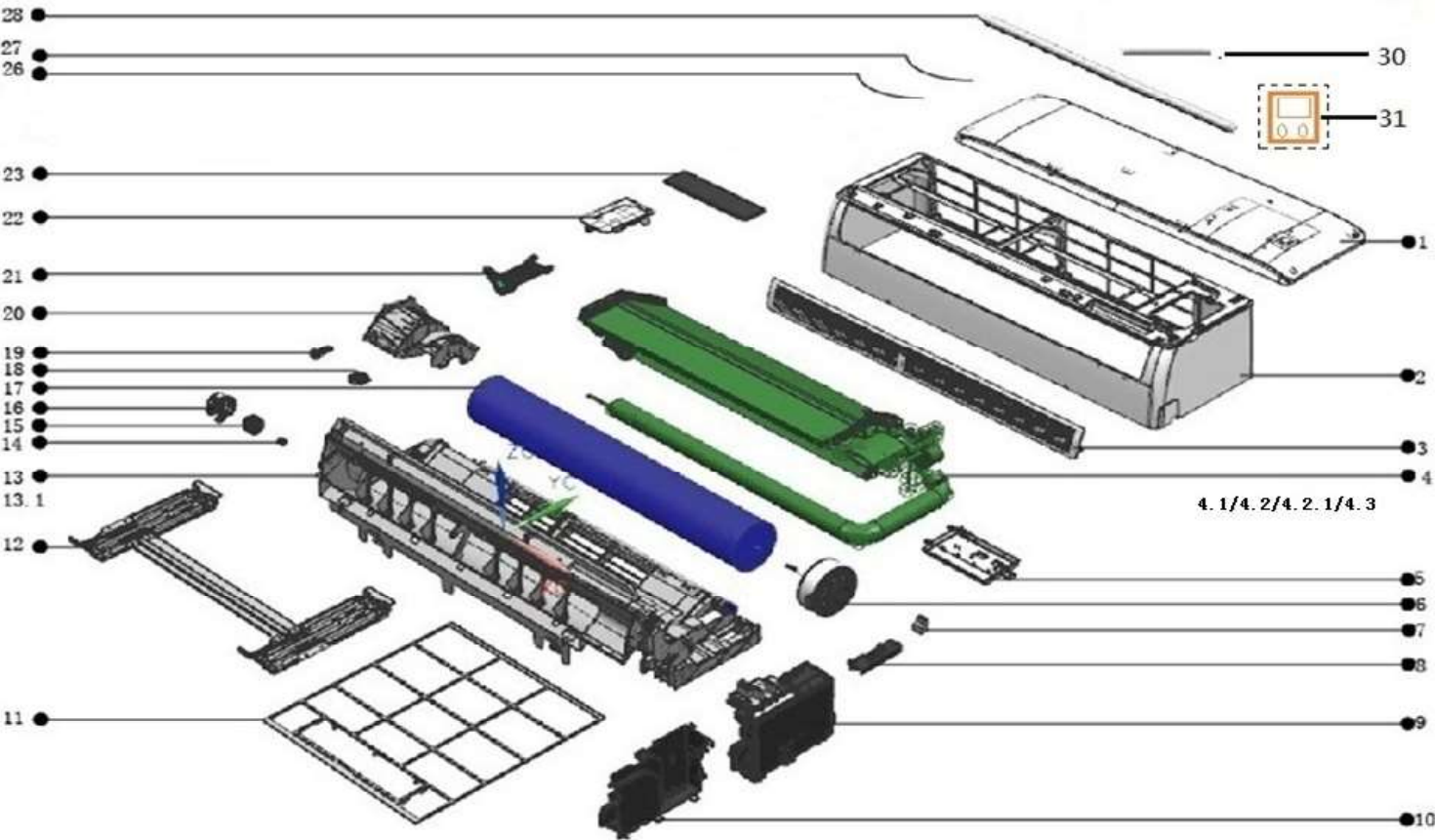


Model: BEWM008Q3A-D

No.	Part Name	Part No.
1	Panel	12122000A02212
2	Panel frame assembly	12122000001983
3	Horizontal louver assembly	12122000005101
4	Evaporator assembly	15826000002874
4.1	Pipe Temperature Sensor	11201007003022
4.2	Evaporator input pipe ass'y	15426000002180
4.2.1	Electronic expansion valve suite	15500213001685
4.3	Evaporator output pipe ass'y	15126000004010
5	VRF IDU display box assembly	17226000004463
6	Single phase asynchronous motor	11002012033454
7	Butting Connector	11201707000001
8	Cover of electronic control box	12122000004994
9	E-part box assembly	17226000004462
9.1	Electronic control box	12122000004565
9.2	Indoor unit main control board	17126000004991
10	Electronic control box	12122000004586
11	Air filter	12100204000626
12	Installation plate	12222000000012
13	Chassis assembly	12122000009005
13.1	Stepper motor	11002010000143
14	Bearing	12122000007617
15	Bearing base	12622000000006
16	Bearing holder	12122000000350
17	Cross flow fan	12100102000074
18	Temp. sensor fixed card	12100303000128
19	Drainage plug	12600801000081
20	Motor cover ass'y	12126000000283
21	pipe clamp board	12122000000445
22	Electrical appliance box	12126000001743
23	Air freshening filter	12100204000685
26	Room Temperature Sensor	11201007000102
27	Pipe Temperature Sensor	11201007000879
28	Drain hose	12100501000004
30	Drain pipe	12126000000144

Exploded Views and Parts Listing

Indoor Unit Model: BEWM010Q3A-D

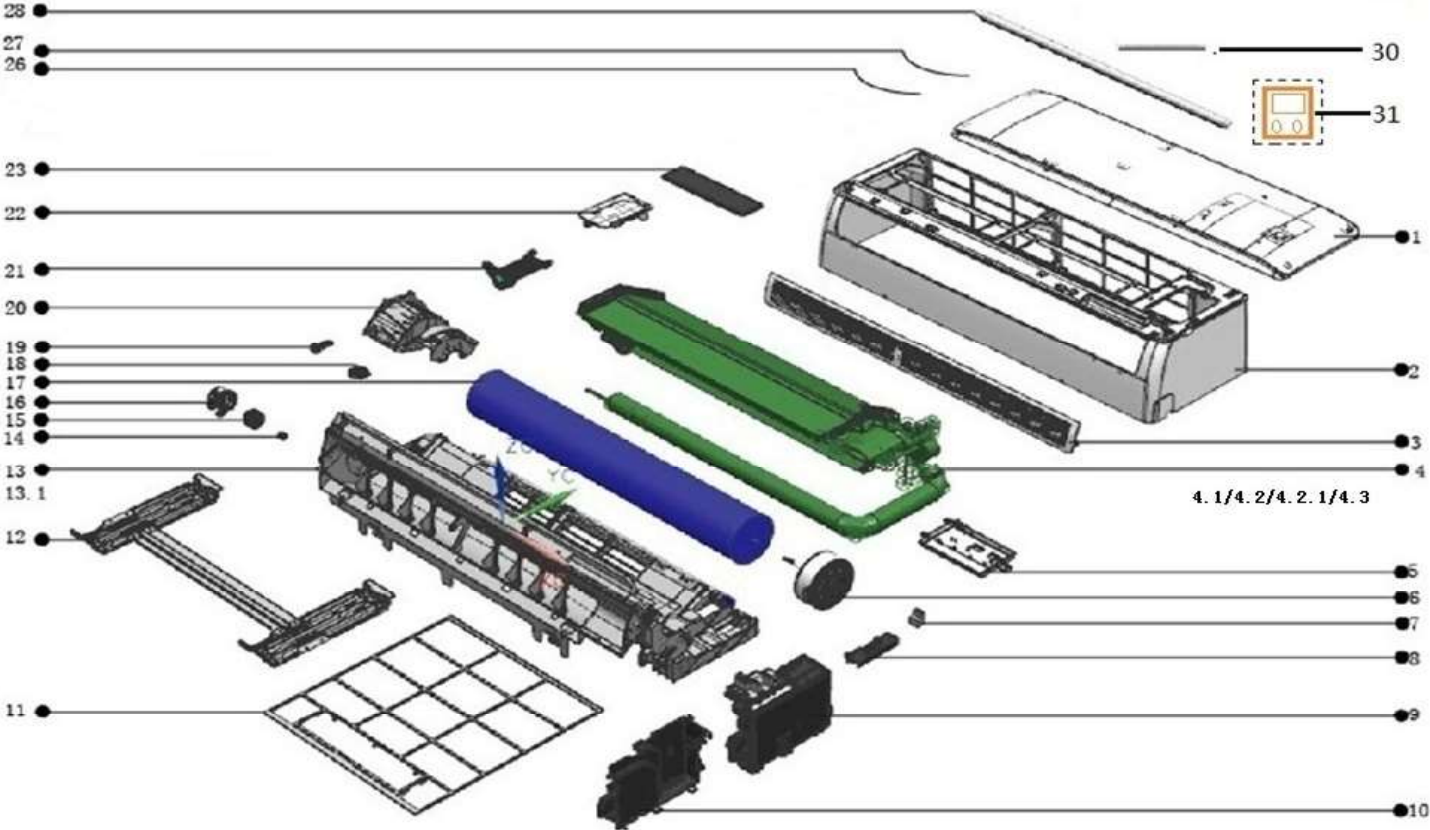


Model: BEWM010Q3A-D

No.	Part Name	Part No.
1	Panel	12122000A02212
2	Panel frame assembly	12122000001983
3	Horizontal louver assembly	12122000005101
4	Evaporator assembly	15826000002885
4.1	Pipe Temperature Sensor	11201007003022
4.2	Evaporator input pipe ass'y	15426000002185
4.2.1	Electronic expansion valve suite	15500213001685
4.3	Evaporator output pipe ass'y	15126000004040
5	VRF IDU display box assembly	17226000004463
6	Single phase asynchronous motor	11002012033454
7	Butting Connector	11201707000001
8	Cover of electronic control box	12122000004994
9	E-part box assembly	17226000004462
9.1	Electronic control box	12122000004565
9.2	Indoor unit main control board	17126000004991
10	Electronic control box	12122000004586
11	Air filter	12100204000626
12	Installation plate	12222000000012
13	Chassis assembly	12122000009005
13.1	Stepper motor	11002010000143
14	Bearing	12122000007617
15	Bearing base	12622000000006
16	Bearing holder	12122000000350
17	Cross flow fan	12100102000074
18	Temp. sensor fixed card	12100303000128
19	Drainage plug	12600801000081
20	Motor cover ass'y	12126000000283
21	pipe clamp board	12122000000445
22	Electrical appliance box	12126000001743
23	Air freshening filter	12100204000685
26	Room Temperature Sensor	11201007000102
27	Pipe Temperature Sensor	11201007000879
28	Drain hose	12100501000004
30	Drain pipe	12126000000144

Exploded Views and Parts Listing

Indoor Unit Model: BEWM012N3A-D

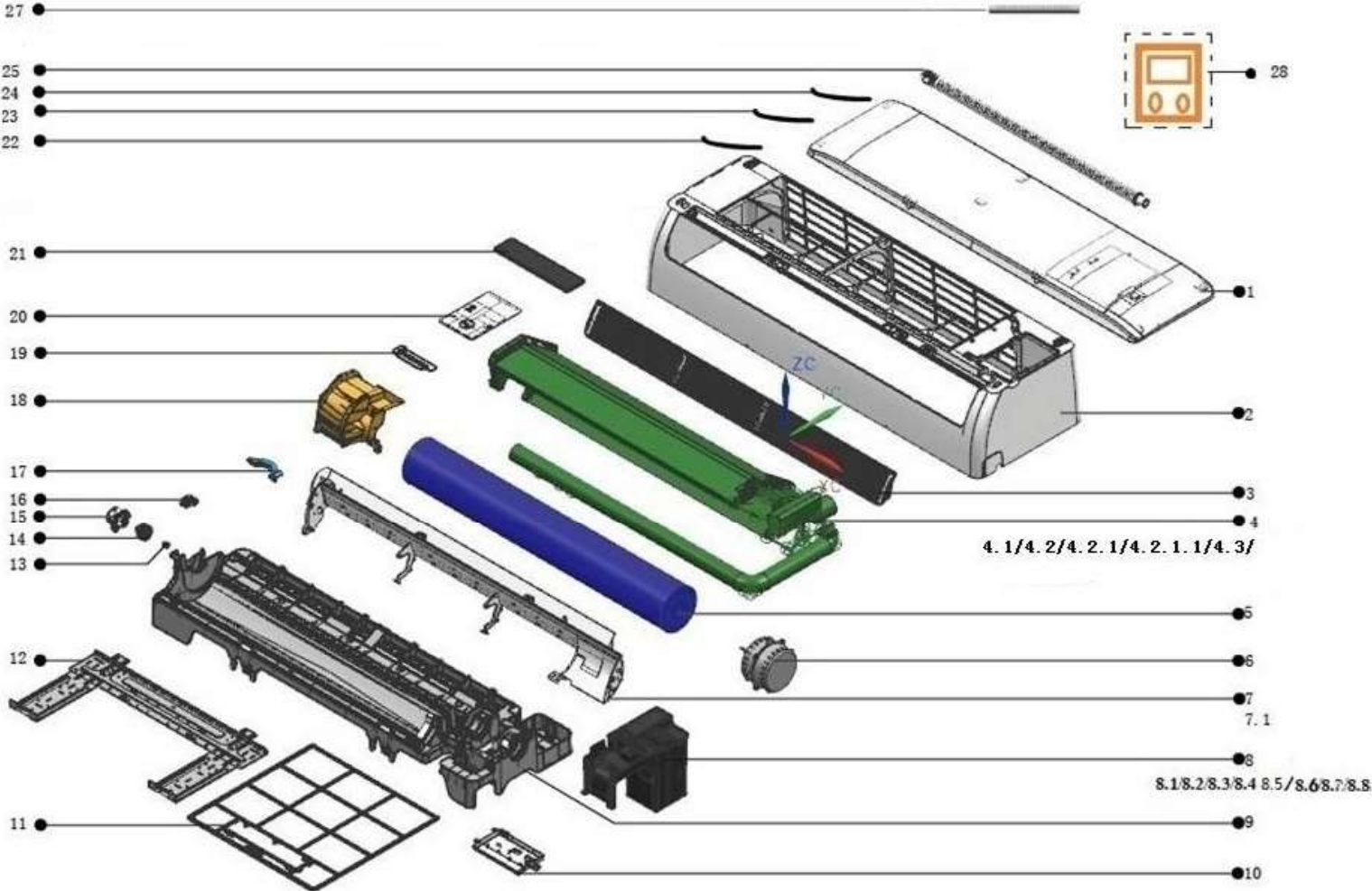


Model: BEWM012Q3A-D

No.	Part Name	Part No.
1	Panel	12122000A02212
2	Panel frame assembly	12122000001983
3	Horizontal louver assembly	12122000005101
4	Evaporator assembly	15826000002878
4.1	Pipe Temperature Sensor	11201007003022
4.2	Evaporator input pipe ass'y	15426000002183
4.2.1	Electronic expansion valve suite	15500213001685
4.3	Evaporator output pipe ass'y	15126000004020
5	VRF IDU display box assembly	17226000004463
6	Single phase asynchronous motor	11002012033454
7	Butting Connector	11201707000001
8	Cover of electronic control box	12122000004994
9	E-part box assembly	17226000004462
9.1	Electronic control box	12122000004565
9.2	Indoor unit main control board	17126000004991
10	Electronic control box	12122000004586
11	Air filter	12100204000626
12	Installation plate	12222000000012
13	Chassis assembly	12122000009005
13.1	Stepper motor	11002010000143
14	Bearing	12122000007617
15	Bearing base	12622000000006
16	Bearing holder	12122000000350
17	Cross flow fan	12100102000074
18	Temp. sensor fixed card	12100303000128
19	Drainage plug	12600801000081
20	Motor cover ass'y	12126000000283
21	pipe clamp board	12122000000445
22	Electrical appliance box	12126000001743
23	Air freshening filter	12100204000685
26	Room Temperature Sensor	11201007000102
27	Pipe Temperature Sensor	11201007000879
28	Drain hose	12100501000004
30	Drain pipe	12126000000144

Exploded Views and Parts Listing

Indoor Unit Model: BEWM015Q3A-D

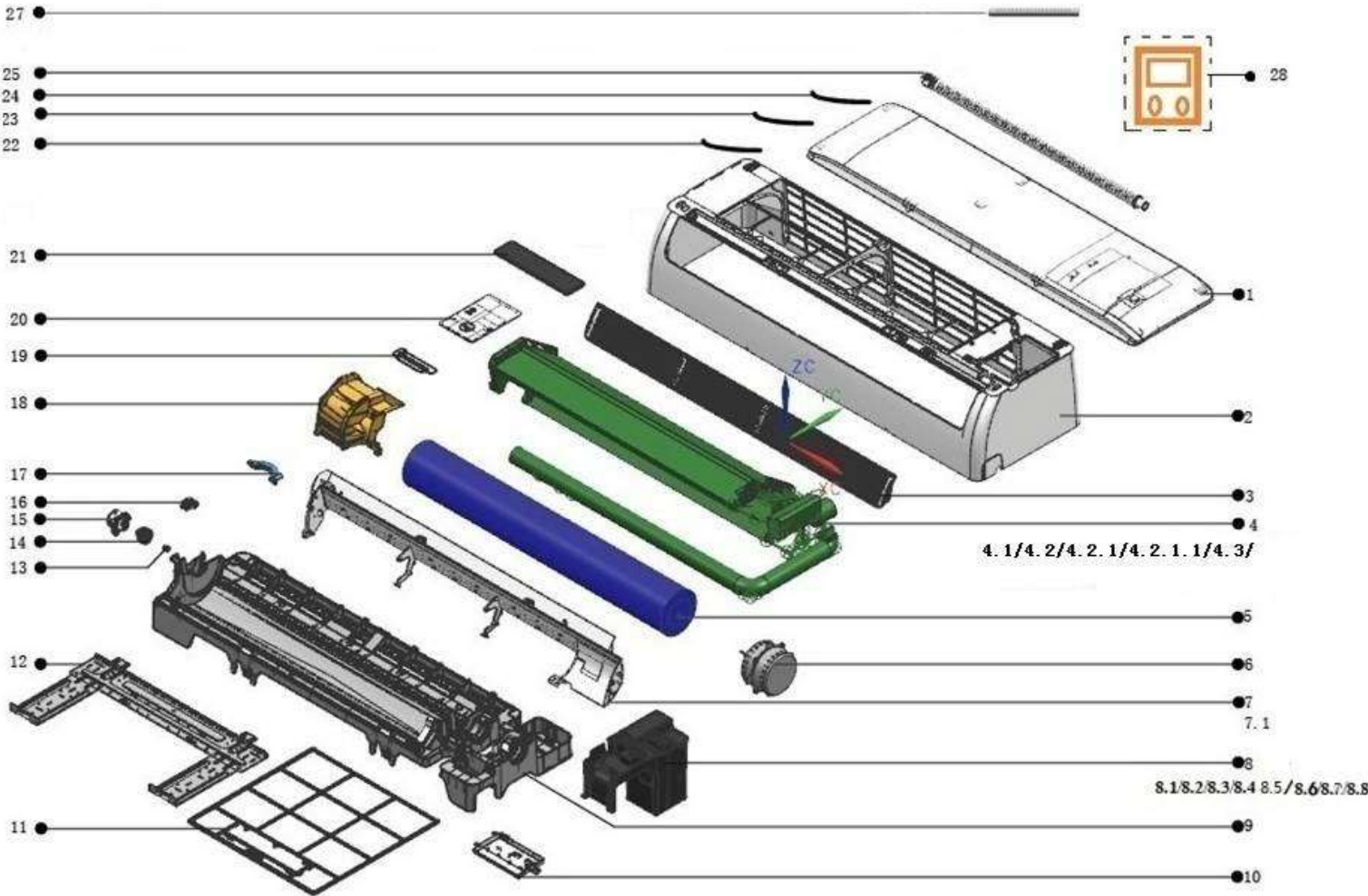


Model: BEWM015Q3A-D

No.	Part Name	Part No.
1	Panel	12122000A02213
2	Panel frame assembly	12122000001746
3	Horizontal louver	12126000001283
4	Evaporator assembly	15826000002872
4.1	Pipe Temperature Sensor	11201007003022
4.2	Evaporator input pipe ass'y	15426000002176
4.2.1	Electronic expansion valve ass'y	15426000002177
4.2.1	Electronic expansion valve ass'y	15426000002177
4.2.1.1	Electronic expansion valve suite	15500213000913
4.2.1.1	Electronic expansion valve suite	15500213000913
4.3	Evaporator output pipe ass'y	15126000001247
4.4	Evaporator	15826000000367
4.5	Evaporator	15826000000365
4.6	Evaporator	15826000000366
5	Cross flow fan	12100102000007
6	Single phase asynchronous motor	11002012030931
7	Air outlet assembly	12122000005301
7.1	Stepper motor	11002010000015
8	E-part box assembly	17226000004461
8.1	Electronic control box	12122000004609
8.2	Cover of electronic control box	12122000005029
8.3	Indoor unit main control board	17126000004989
8.4	Wire joint	17400401000183
8.5	Terminal	17400401000020
8.6	Fire-proof Plate of Electrical Control Box-CoverBox	12222000000419
8.7	Fire-proof Plate of Electrical Control Box-CoverBox	12222000000391
8.8	Electric control box cover assembly	12226000003838
9	Chassis assembly	12122000004078
10	VRF IDU display box assembly	17226000004463
11	Air filter	12100204000619
12	Installation plate	12222000000008
13	Bearing	12122000007617
14	Bearing base	12622000000006
15	Bearing holder	12122000000350
16	Temp. sensor fixed card	12100303000128
17	Motor press plate	12126000000333
18	Motor cover	12126000000304
19	pipe clamp board	12222000000054
20	Cover of electrical equipment	12122000006693
21	Air freshening filter	12100204000685
23	Room Temperature Sensor	11201007000102
24	Pipe Temperature Sensor	11201007000879
25	Drain hose	12100501000004
27	Drain pipe	12126000000144

Exploded Views and Parts Listing

Indoor Unit Model: BEWM019Q3A-D

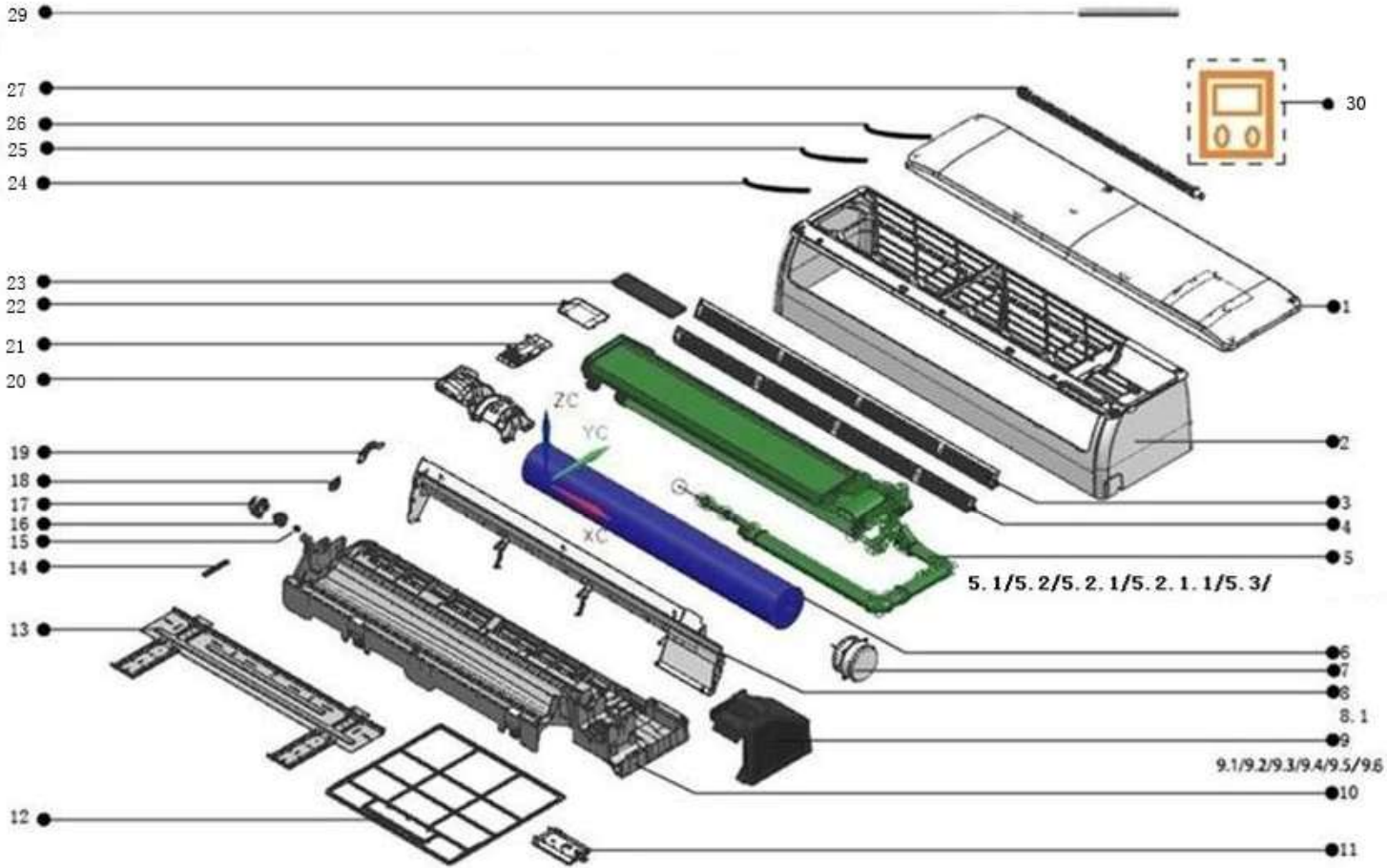


Model: BEWM019Q3A-D

No.	Part Name	Part No.
1	Panel	12122000A02213
2	Panel frame assembly	12122000001746
3	Horizontal louver	12126000001283
4	Evaporator assembly	15826000002877
4.1	Pipe Temperature Sensor	11201007003022
4.2	Evaporator input pipe ass'y	15426000002181
4.2.1	Electronic expansion valve ass'y	15426000002182
4.2.1	Electronic expansion valve ass'y	15426000002182
4.2.1.1	Electronic expansion valve suite	15500213000913
4.2.1.1	Electronic expansion valve suite	15500213000913
4.3	Evaporator output pipe ass'y	15126000001255
4.4	Evaporator input pipe ass'y	15426000002181
4.4	Evaporator	15826000000367
4.5	Evaporator	15826000000365
4.5	Evaporator output pipe ass'y	15126000001255
4.6	Evaporator	15826000000366
5	Cross flow fan	12100102000007
6	Single phase asynchronous motor	11002012030931
7	Air outlet assembly	12122000005301
7.1	Stepper motor	11002010000015
8	E-part box assembly	17226000004461
8.1	Electronic control box	12122000004609
8.2	Cover of electronic control box	12122000005029
8.3	Indoor unit main control board	17126000004989
8.4	Wire joint	17400401000183
8.5	Terminal	17400401000020
8.6	Fire-proof Plate of Electrical Control Box-CoverBox	12222000000419
8.7	Fire-proof Plate of Electrical Control Box-CoverBox	12222000000391
8.8	Electric control box cover assembly	12226000003838
9	Chassis assembly	12122000004078
10	VRF IDU display box assembly	17226000004463
11	Air filter	12100204000619
12	Installation plate	12222000000008
13	Bearing	12122000007617
14	Bearing base	12622000000006
15	Bearing holder	12122000000350
16	Temp. sensor fixed card	12100303000128
17	Motor press plate	12126000000333
18	Motor cover	12126000000304
19	pipe clamp board	12222000000054
20	Cover of electrical equipment	12122000006693
21	Air freshening filter	12100204000685
23	Room Temperature Sensor	11201007000102
24	Pipe Temperature Sensor	11201007000879
25	Drain hose	12100501000004
27	Drain pipe	12126000000144

Exploded Views and Parts Listing

Indoor Unit Model: BEWM024Q3A-D

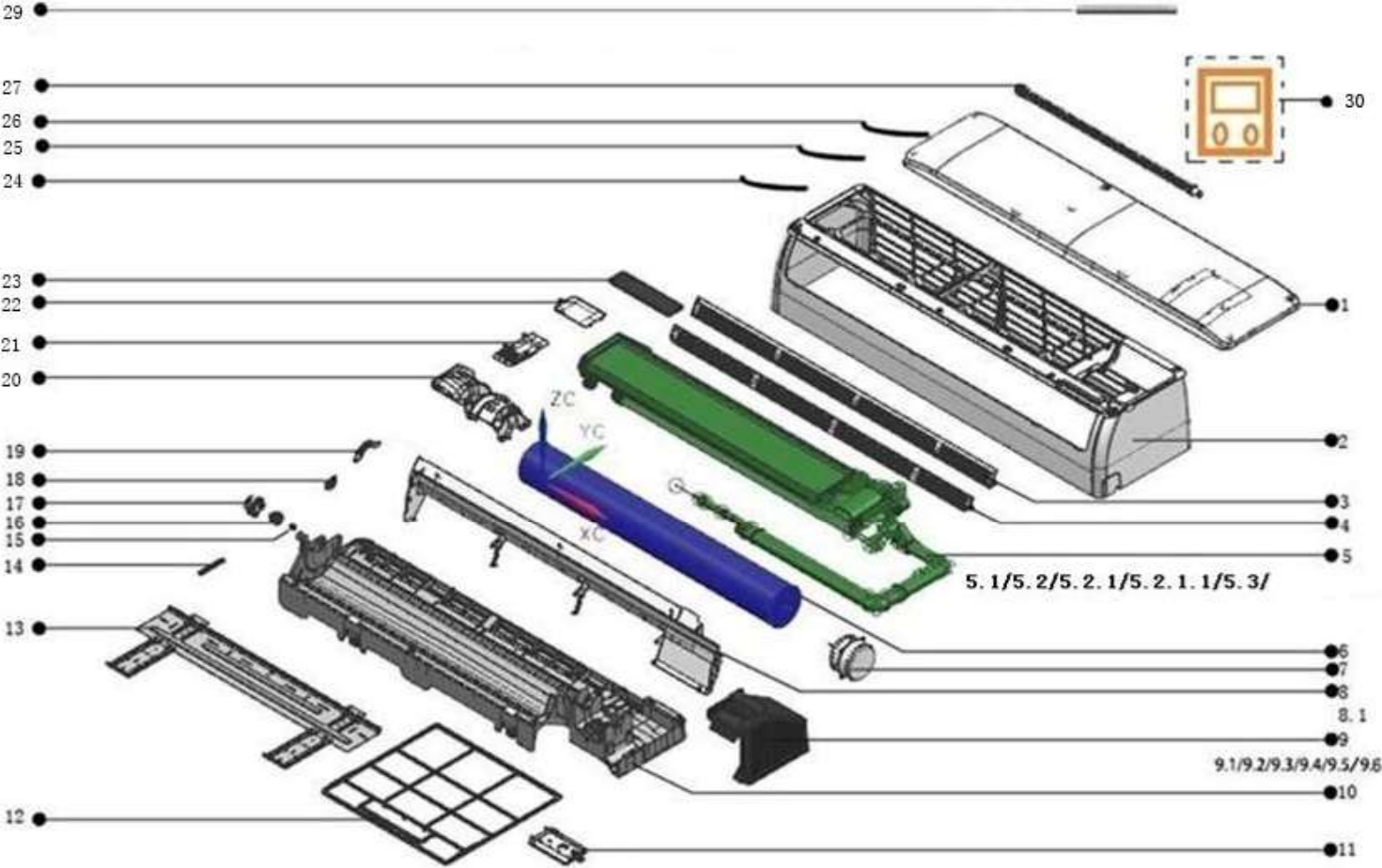


Model: BEWM024Q3A-D

No.	Part Name	Part No.
1	Panel	12122000A02171
2	Panel frame assembly	12122000A08690
3	Horizontal louver	12122000006181
4	Horizontal louver	12122000008085
5	Evaporator assembly	15826000002881
5.1	Pipe Temperature Sensor	11201007003022
5.2	Evaporator input pipe ass'y	15426000002184
5.2.1	Electronic expansion valve ass'y	15426000002179
5.2.1.1	Electronic expansion valve suite	15500213000913
5.3	Evaporator output pipe ass'y	15126000004022
6	Cross flow fan	12100102000001
7	Single phase asynchronous motor	11002012003267
8	Air outlet assembly	12122000005507
8.1	Stepper motor	11002010000047
9	E-part box assembly	17226000004464
9.1	E-part box	12122000014266
9.2	E-Part box cover	12122000014267
9.3	Indoor unit main control board	17126000004995
9.4	Wire joint	17400401000183
9.5	Terminal	17400401000020
9.6	Fire-proof Plate of Electrical Control Box-CoverBox	12222000000380
10	Chassis assembly	12122000004184
11	VRF IDU display box assembly	17226000004463
12	Air filter	12100204000651
13	Installation plate	12222000000030
14	Mandril of Panel	12100801000001
15	Bearing	12122000007617
16	Bearing base	12622000000006
17	Bearing holder	12122000000350
18	Temp. sensor fixed card	12100303000128
19	Motor press plate	12126000000333
20	Motor cover	12126000000305
21	pipe clamp board	12122000000460
22	Cover of electrical equipment	12122000006694
23	Air freshening filter	12100204000685
25	Room Temperature Sensor	11201007000102
26	Pipe Temperature Sensor	11201007000879
27	Drain hose	12100501000004
29	Drain pipe	12126000000144

Exploded Views and Parts Listing

Indoor Unit Model: BEWM027Q3A-D

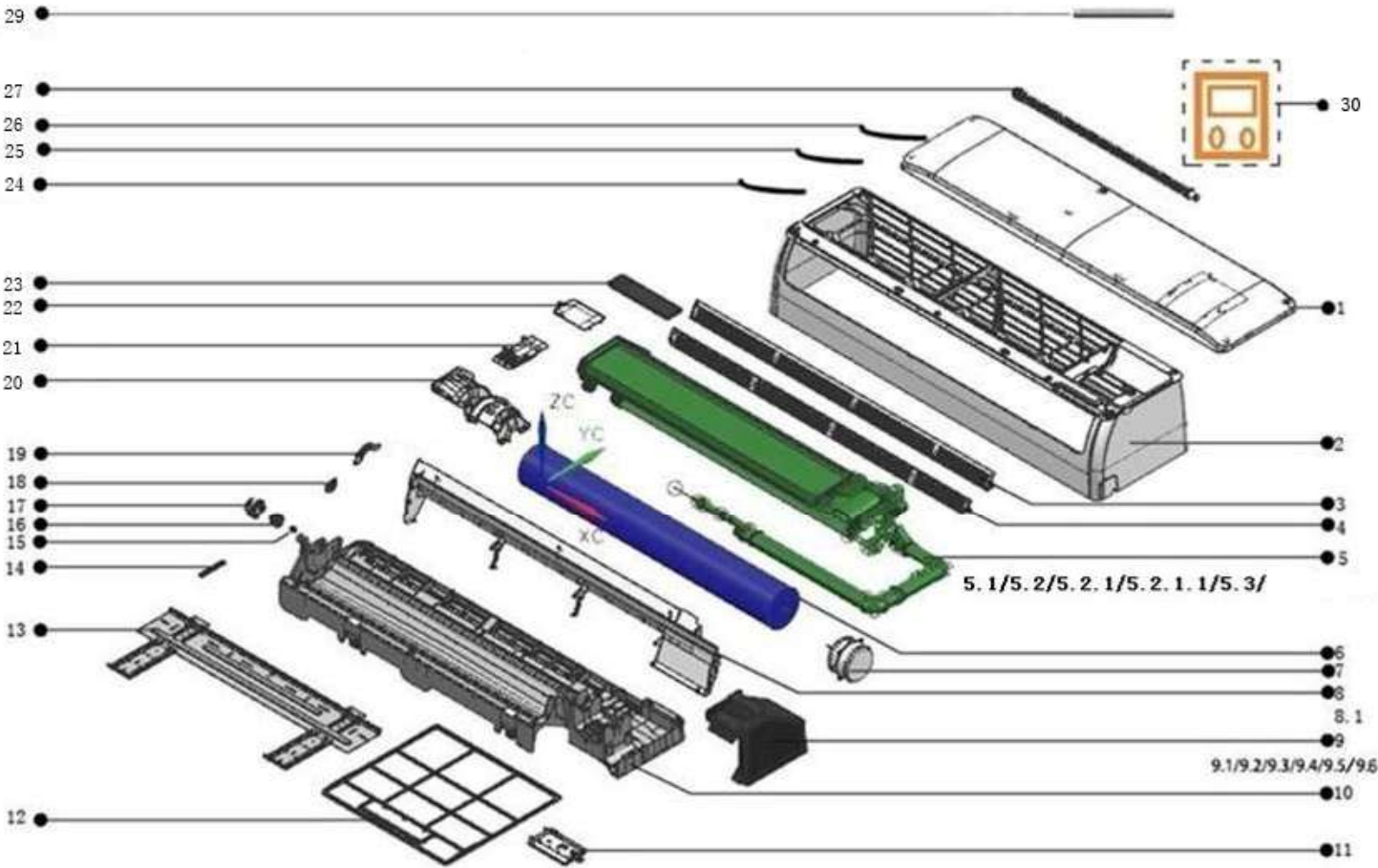


Model: BEWM027Q3A-D

No.	Part Name	Part No.
1	Panel	12122000A02171
2	Panel frame assembly	12122000A08690
3	Horizontal louver	12122000006181
4	Horizontal louver	12122000008085
5	Evaporator assembly	15826000002873
5.1	Pipe Temperature Sensor	11201007003022
5.2	Evaporator input pipe ass'y	15426000002178
5.2.1	Electronic expansion valve ass'y	15426000002179
5.2.1.1	Electronic expansion valve suite	15500213000913
5.3	Evaporator output pipe ass'y	15126000001256
6	Cross flow fan	12100102000001
7	Single phase asynchronous motor	11002012003267
8	Air outlet assembly	12122000005507
8.1	Stepper motor	11002010000047
9	E-part box assembly	17226000004464
9.1	E-part box	12122000014266
9.2	E-Part box cover	12122000014267
9.3	Indoor unit main control board	17126000004995
9.4	Wire joint	17400401000183
9.5	Terminal	17400401000020
9.6	Fire-proof Plate of Electrical Control Box-CoverBox	12222000000380
10	Chassis assembly	12122000004184
11	VRF IDU display box assembly	17226000004463
12	Air filter	12100204000651
13	Installation plate	12222000000030
14	Mandril of Panel	12100801000001
15	Bearing	12122000007617
16	Bearing base	12622000000006
17	Bearing holder	12122000000350
18	Temp. sensor fixed card	12100303000128
19	Motor press plate	12126000000333
20	Motor cover	12126000000305
21	pipe clamp board	12122000000460
22	Cover of electrical equipment	12122000006694
23	Air freshening filter	12100204000685
25	Room Temperature Sensor	11201007000102
26	Pipe Temperature Sensor	11201007000879
27	Drain hose	12100501000004
29	Drain pipe	12126000000144

Exploded Views and Parts Listing

Indoor Unit Model: BEWM035Q3A-D



Model: BEWM035Q3A-D

No.	Part Name	Part No.
1	Panel	12122000A02171
2	Panel frame assembly	12122000A08690
3	Horizontal louver	12122000006181
4	Horizontal louver	12122000008085
5	Evaporator assembly	15826000002873
5.1	Pipe Temperature Sensor	11201007003022
5.2	Evaporator input pipe ass'y	15426000002178
5.2.1	Electronic expansion valve ass'y	15426000002179
5.2.1.1	Electronic expansion valve suite	15500213000913
5.3	Evaporator output pipe ass'y	15126000001256
6	Cross flow fan	12100102000001
7	Single phase asynchronous motor	11002012003267
8	Air outlet assembly	12122000005507
8.1	Stepper motor	11002010000047
9	E-part box assembly	17226000004464
9.1	E-part box	12122000014266
9.2	E-Part box cover	12122000014267
9.3	Indoor unit main control board	17126000004995
9.4	Wire joint	17400401000183
9.5	Terminal	17400401000020
9.6	Fire-proof Plate of Electrical Control Box-CoverBox	12222000000380
10	Chassis assembly	12122000004184
11	VRF IDU display box assembly	17226000004463
12	Air filter	12100204000651
13	Installation plate	12222000000030
14	Mandril of Panel	12100801000001
15	Bearing	12122000007617
16	Bearing base	12622000000006
17	Bearing holder	12122000000350
18	Temp. sensor fixed card	12100303000128
19	Motor press plate	12126000000333
20	Motor cover	12126000000305
21	pipe clamp board	12122000000460
22	Cover of electrical equipment	12122000006694
23	Air freshening filter	12100204000685
25	Room Temperature Sensor	11201007000102
26	Pipe Temperature Sensor	11201007000879
27	Drain hose	12100501000004
29	Drain pipe	12126000000144