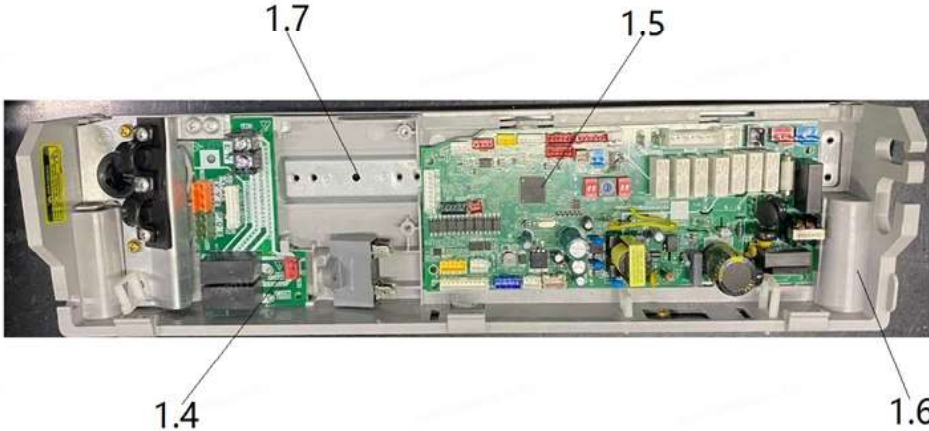
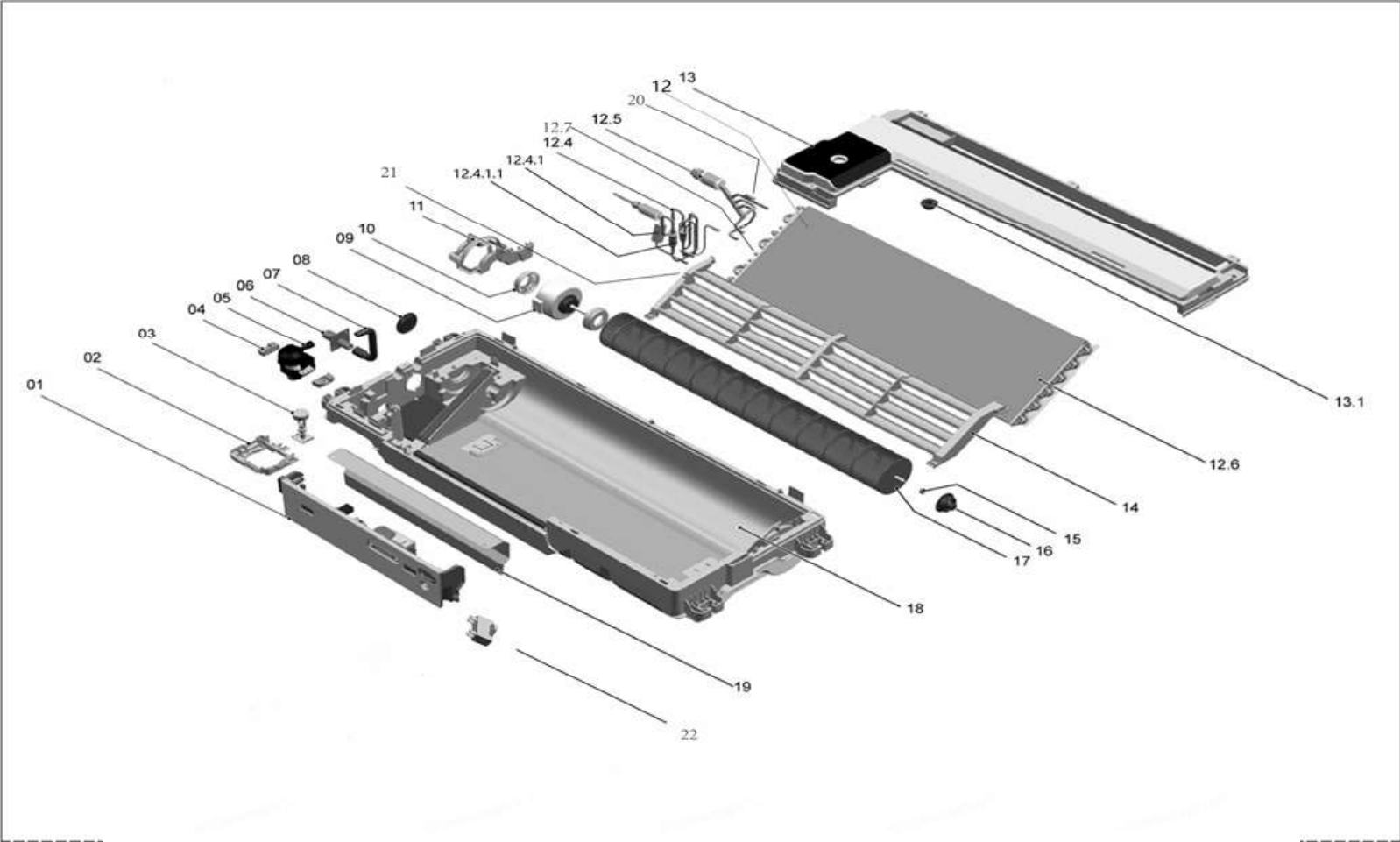


Exploded Views and Parts Listing

Indoor Unit Model: BECW006Q3A-D



Model: BECW006Q3A-D

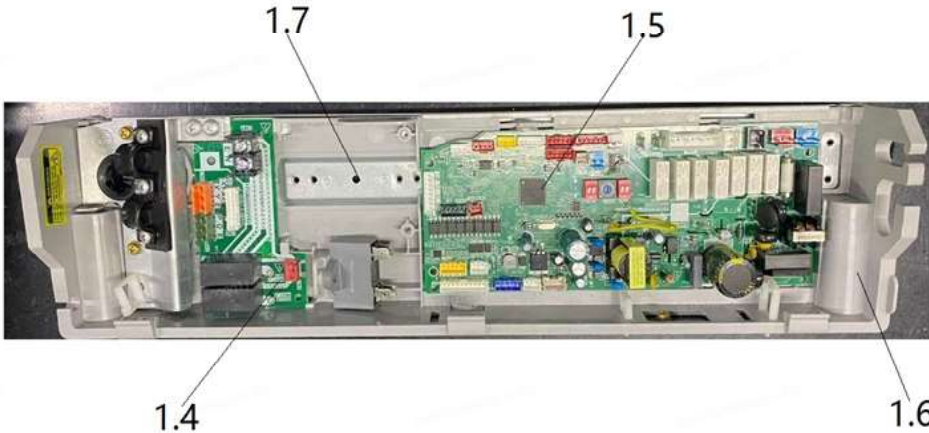
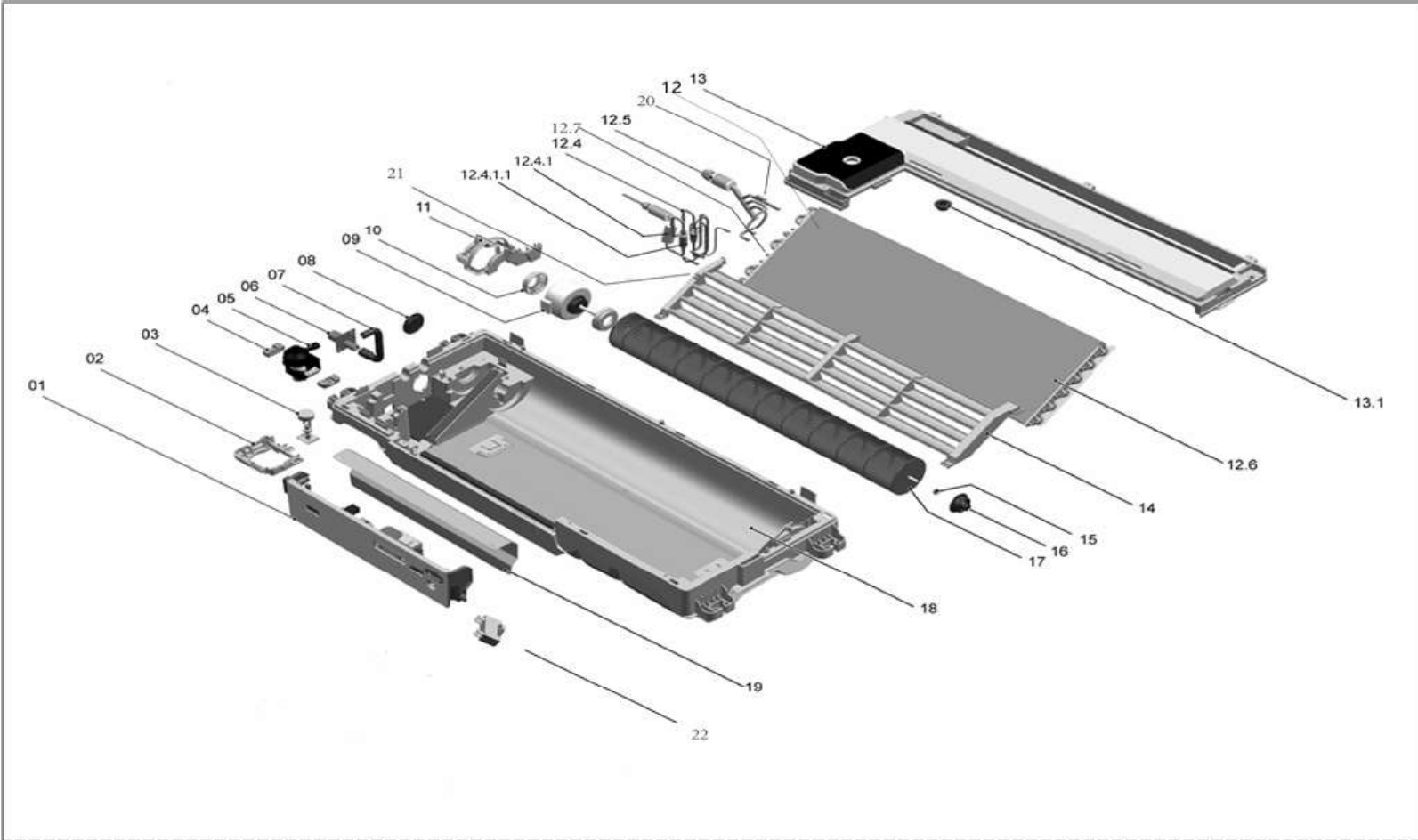
No.	Part Name	Part No.
1	E-part box assembly	17226000004759
1.4	Middle connection board subassembly	17122500000805
1.5	Indoor unit main control board	17126000A04795
1.6	Electronic control box	12126000000151
1.7	Electric control box of fire protection shell welded pieces	12226000000589
2	Drainage pump bracket	12126000000017
3	Water Level Switch	17400511000029
4	Drainage pump shock pad	12626000000018
5	Drainage pump	17400802000172
6	Drain pipe	12100510000021
7	Drain pipe	12626000000003
8	Cover of water testing hole	12123000000043
9	Asynchronous motor	11002012000782
10	AC motor reducing sleeve	12126000000018
11	Motor bracket	12126000000019
12	Evaporator assy	15826000000010
12.4	Input pipe ass'y	15426000000057
12.4.1	Valve subassembly	15426000000041
12.4.1.1	Electronic expansion valve suite	15500213000945
12.5	Output pipe assy	15126000001297
12.6	Evaporator	15826000000126
12.7	Pipe Temperature Sensor	11201007000070
13	Drain tray	12126000000023
13.1	Drain plug	12600801000077
14	Auxiliary drainage pan	12126000000026
15	Bearing	12122000007617
16	bearing block	12600901000100
17	Cross fan	12100102000116
18	Chassis Parts	12126000000153
19	E-Part box cover	12226000000561
20	Pipe Temperature Sensor	11201007001600
21	Room Temperature Sensor	11201007003026
22	Capacitor	17400101000122

Model: BECW008Q3A-D

No.	Part Name	Part No.
1	E-part box assembly	17226000004759
1.4	Middle connection board subassembly	17122500000805
1.5	Indoor unit main control board	17126000A04795
1.6	Electronic control box	12126000000151
1.7	Electric control box of fire protection shell welded pieces	12226000000589
2	Drainage pump bracket	12126000000017
3	Water Level Switch	17400511000029
4	Drainage pump shock pad	12626000000018
5	Drainage pump	17400802000172
6	Drain pipe	12100510000021
7	Drain pipe	12626000000003
8	Cover of water testing hole	12123000000043
9	Asynchronous motor	11002012000782
10	AC motor reducing sleeve	12126000000018
11	Motor bracket	12126000000019
12	Evaporator assy	15826000000010
12.4	Input pipe ass'y	15426000000057
12.4.1	Valve subassembly	15426000000041
12.4.1.1	Electronic expansion valve suite	15500213000945
12.5	Output pipe assy	15126000001297
12.6	Evaporator	15826000000126
12.7	Pipe Temperature Sensor	11201007000070
13	Drain tray	12126000000023
13.1	Drain plug	12600801000077
14	Auxiliary drainage pan	12126000000026
15	Bearing	12122000007617
16	bearing block	12600901000100
17	Cross fan	12100102000116
18	Chassis Parts	12126000000153
19	E-Part box cover	122260000000561
20	Pipe Temperature Sensor	11201007001600
21	Room Temperature Sensor	11201007003026
22	Capacitor	17400101000122

Exploded Views and Parts Listing

Indoor Unit Model: BECW010Q3A-D

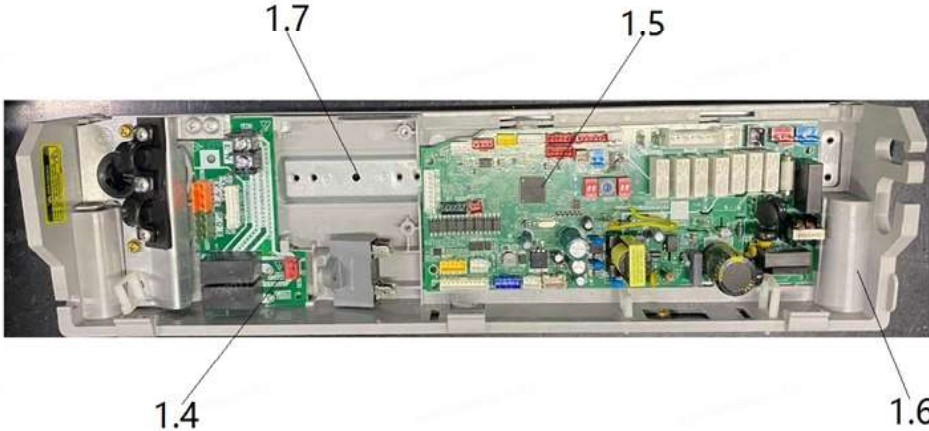
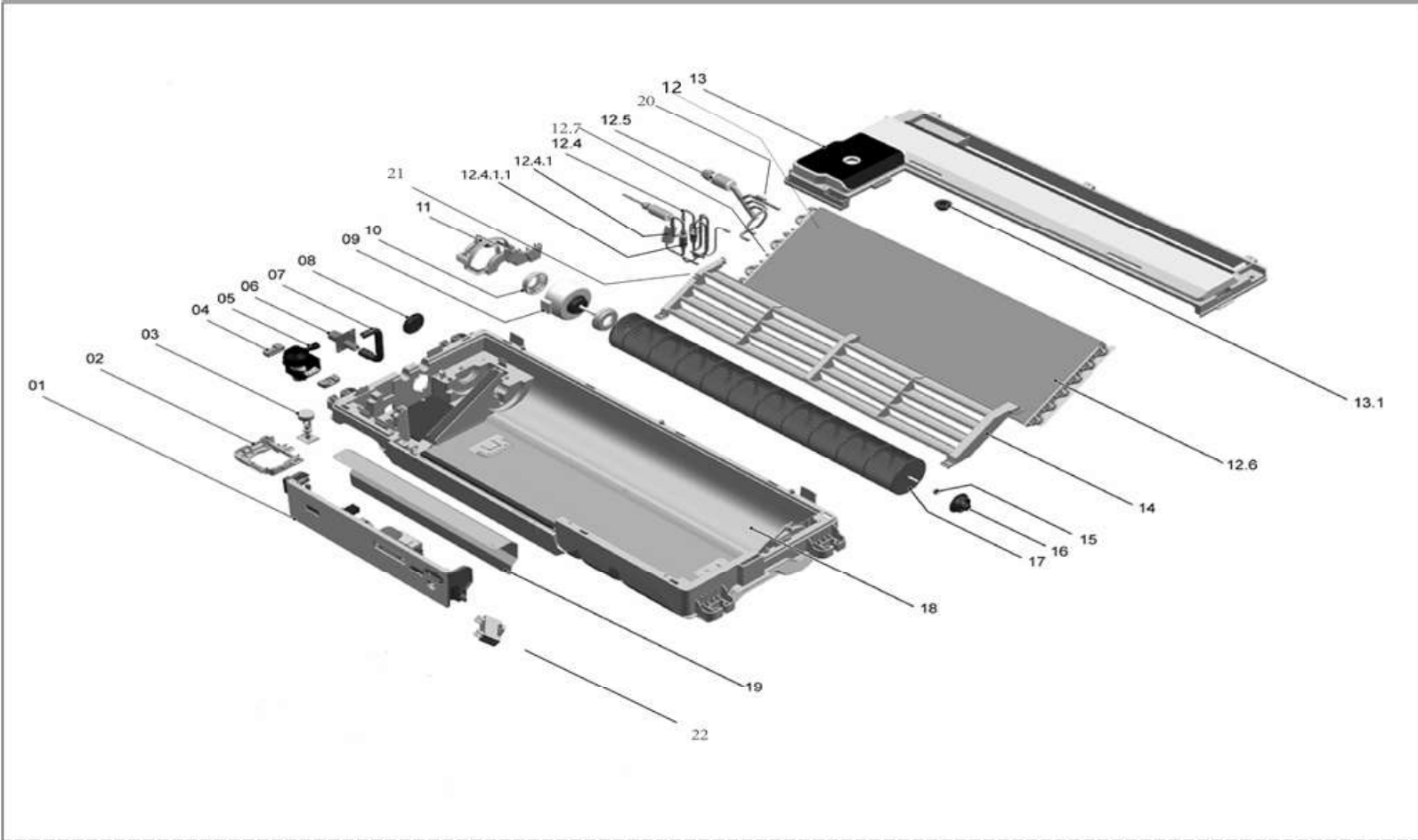


Model: BECW010Q3A-D

No.	Part Name	Part No.
1	E-part box assembly	17226000004759
1.4	Middle connection board subassembly	17122500000805
1.5	Indoor unit main control board	17126000A04795
1.6	Electronic control box	12126000000151
1.7	Electric control box of fire protection shell welded pieces	12226000000589
2	Drainage pump bracket	12126000000017
3	Water Level Switch	17400511000029
4	Drainage pump shock pad	12626000000018
5	Drainage pump	17400802000172
6	Drain pipe	12100510000021
7	Drain pipe	12626000000003
8	Cover of water testing hole	12123000000043
9	Asynchronous motor	11002012000782
10	AC motor reducing sleeve	12126000000018
11	Motor bracket	12126000000019
12	Evaporator assy	15826000000018
12.4	Input pipe ass'y	15426000000048
12.4.1	Valve subassembly	15426000000041
12.4.1.1	Electronic expansion valve suite	15500213000945
12.5	Output pipe assy	15126000001288
12.6	Evaporator	15826000000125
12.7	Pipe Temperature Sensor	11201007000070
13	Drain tray	12126000000023
13.1	Drain plug	12600801000077
14	Auxiliary drainage pan	12126000000026
15	Bearing	12122000007617
16	bearing block	12600901000100
17	Cross fan	12100102000116
18	Chassis Parts	12126000000153
19	E-Part box cover	122260000000561
20	Pipe Temperature Sensor	11201007001600
21	Room Temperature Sensor	11201007003026
22	Fan motor capacitor	17400101000078

Exploded Views and Parts Listing

Indoor Unit Model: BECW012Q3A-D

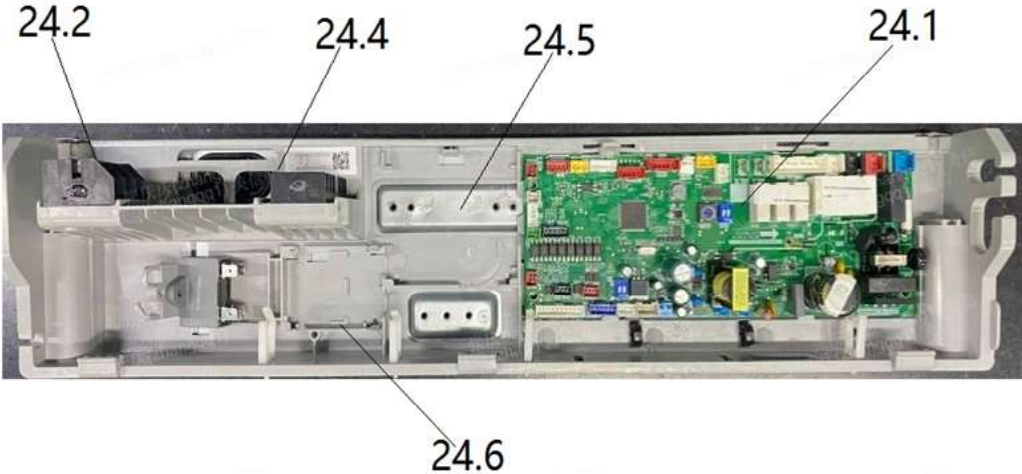
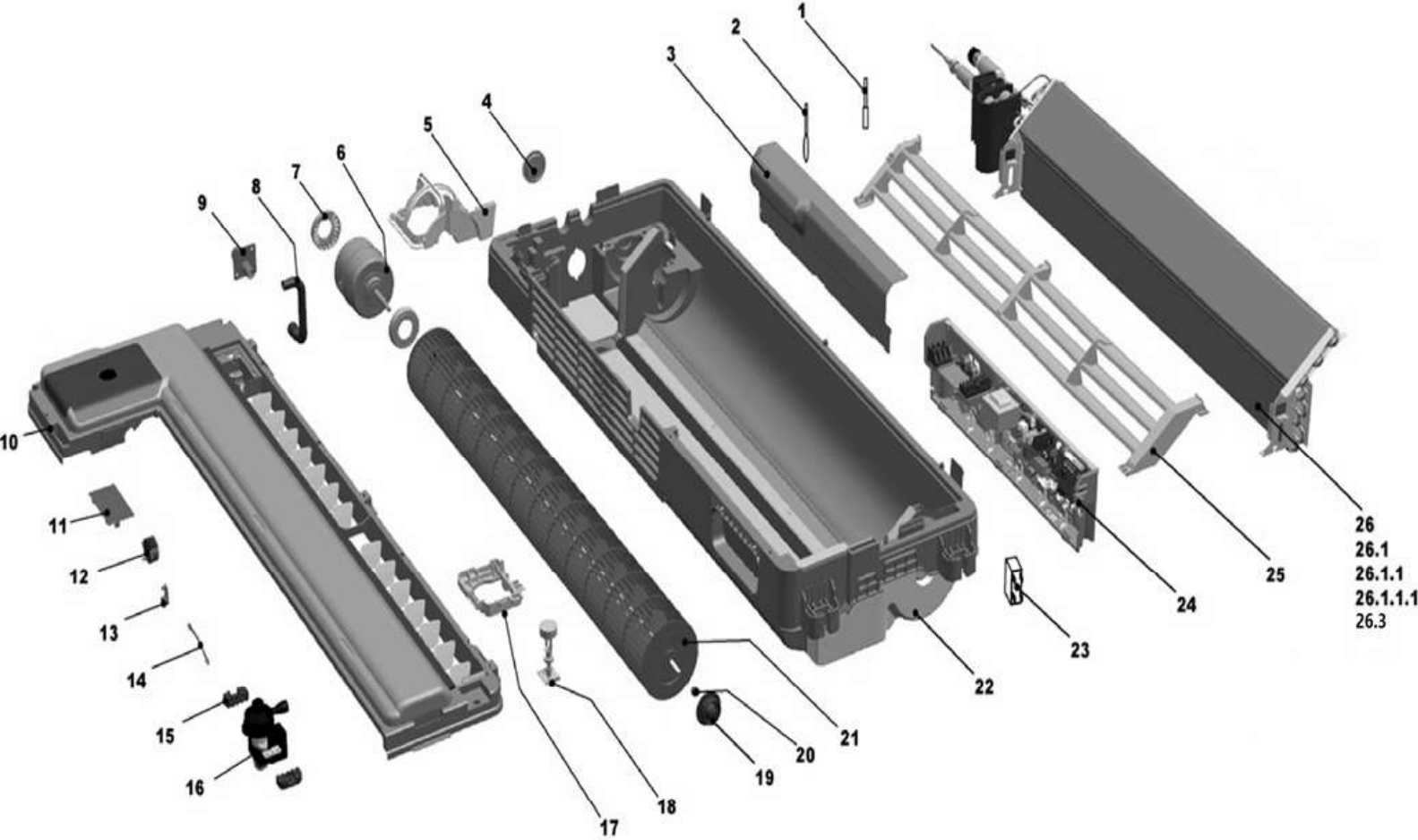


Model: BECW012Q3A-D

No.	Part Name	Part No.
1	E-part box assembly	17226000004759
1.4	Middle connection board subassembly	17122500000805
1.5	Indoor unit main control board	17126000A04795
1.6	Electronic control box	12126000000151
1.7	Electric control box of fire protection shell welded pieces	12226000000589
2	Drainage pump bracket	12126000000017
3	Water Level Switch	17400511000029
4	Drainage pump shock pad	12626000000018
5	Drainage pump	17400802000172
6	Drain pipe	12100510000021
7	Drain pipe	12626000000003
8	Cover of water testing hole	12123000000043
9	Asynchronous motor	11002012000782
10	AC motor reducing sleeve	12126000000018
11	Motor bracket	12126000000019
12	Evaporator assy	15826000000018
12.4	Input pipe ass'y	15426000000048
12.4.1	Valve subassembly	15426000000041
12.4.1.1	Electronic expansion valve suite	15500213000945
12.5	Output pipe assy	15126000001288
12.6	Evaporator	15826000000125
12.7	Pipe Temperature Sensor	11201007000070
13	Drain tray	12126000000023
13.1	Drain plug	12600801000077
14	Auxiliary drainage pan	12126000000026
15	Bearing	12122000007617
16	bearing block	12600901000100
17	Cross fan	12100102000116
18	Chassis Parts	12126000000153
19	E-Part box cover	12226000000561
20	Pipe Temperature Sensor	11201007001600
21	Room Temperature Sensor	11201007003026
22	Fan motor capacitor	17400101000078

Exploded Views and Parts Listing

Indoor Unit Model: BECW015Q3A-D

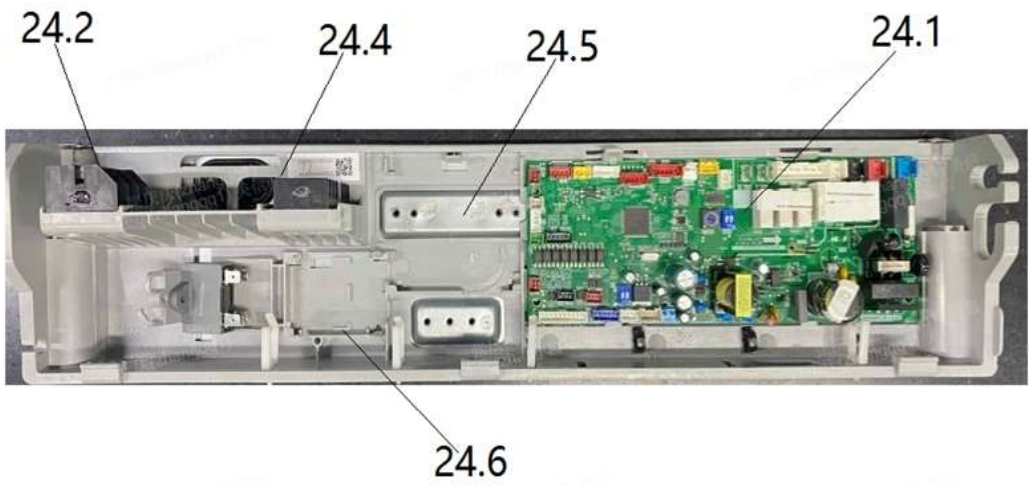
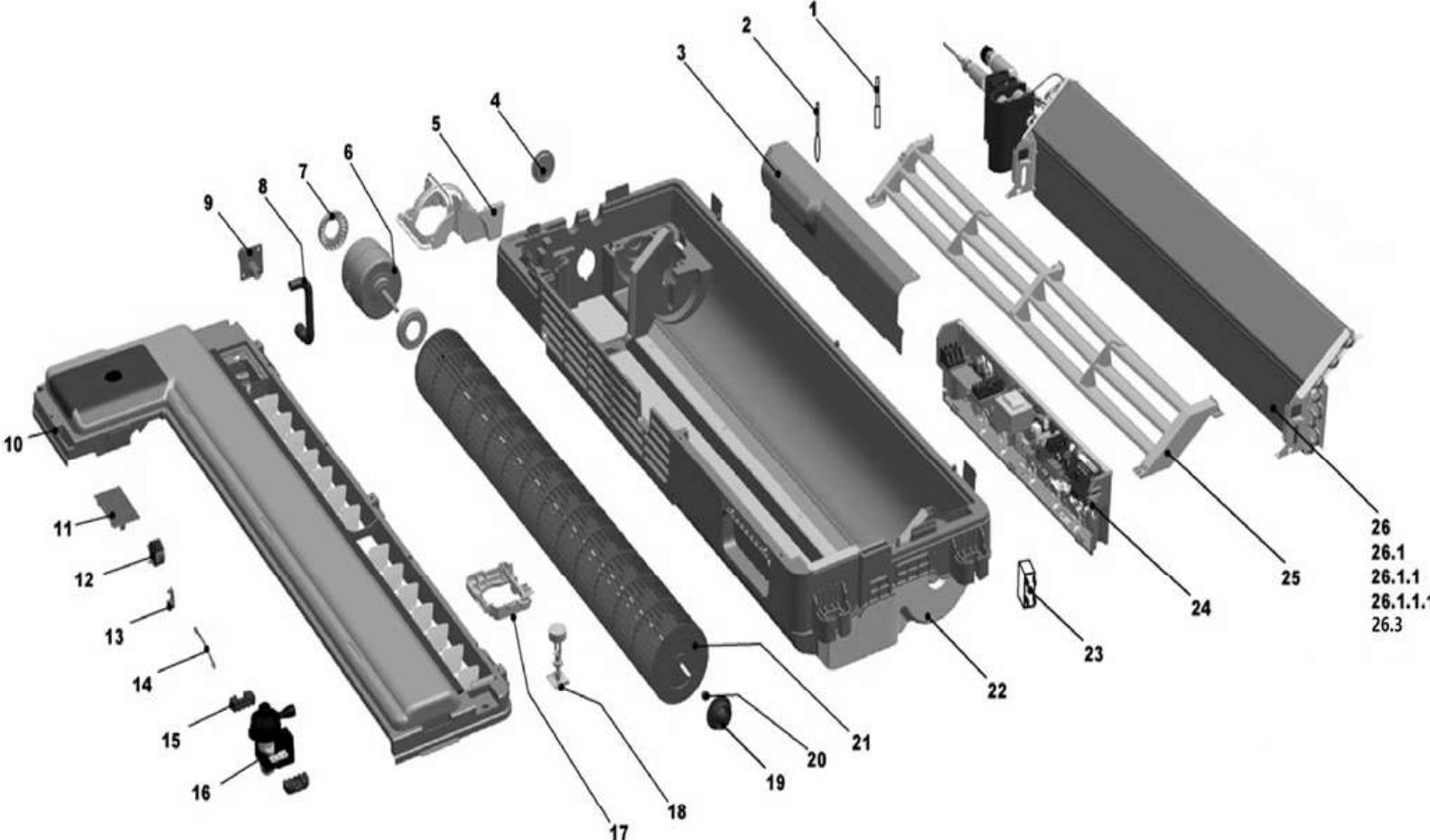


Model: BECW015Q3A-D

No.	Part Name	Part No.
1	Pipe Temperature Sensor	11201007001600
2	Room Temperature Sensor	11201007003026
3	Cover board of electric control box	12226000000560
4	Cover of water testing hole	12123000000043
5	Motor bracket	12126000000020
6	Motor	11002012003056
7	Supportor	12126000000021
8	Drain pipe	12626000000003
9	Drain pipe	12100510000021
10	Drainage pan ass'y	12126000000024
11	Cover	12126000000022
12	Stepper motor	11002010000034
13	Crankshaft	12126000000145
14	Connecting rod	12126000000158
15	Drainage pump shock pad	12626000000018
16	Drainage pump	17400802000172
17	Drainage pump bracket	12126000000017
18	Water Level Switch	17400511000029
19	bearing block	12600901000100
20	Bearing	12122000007617
21	Cross flow fan	12100102000119
22	Base ass'y	12126000000154
23	Capacitor of fan motor	17400101000050
24	E-part box assembly	17226000004760
24.1	Indoor unit main control board	17126000A04795
24.4	Wire joint	17400401000252
24.4	Wire joint	17400401001516
24.5	Electric control box of fire protection shell welded pieces	12226000000590
24.6	E-part box ass'y	12126000000152
25	Drainage pan	12126000000025
26	Evaporator ass'y	15826000000021
26.1	Evaporator input pipe assembly	15426000000062
26.1.1	Valve assembly	15426000000059
26.1.1.1	Electronic expansion valve suite	15500213000945
26.3	Pipe Temperature Sensor	11201007000070

Exploded Views and Parts Listing

Indoor Unit Model: BECW019Q3A-D

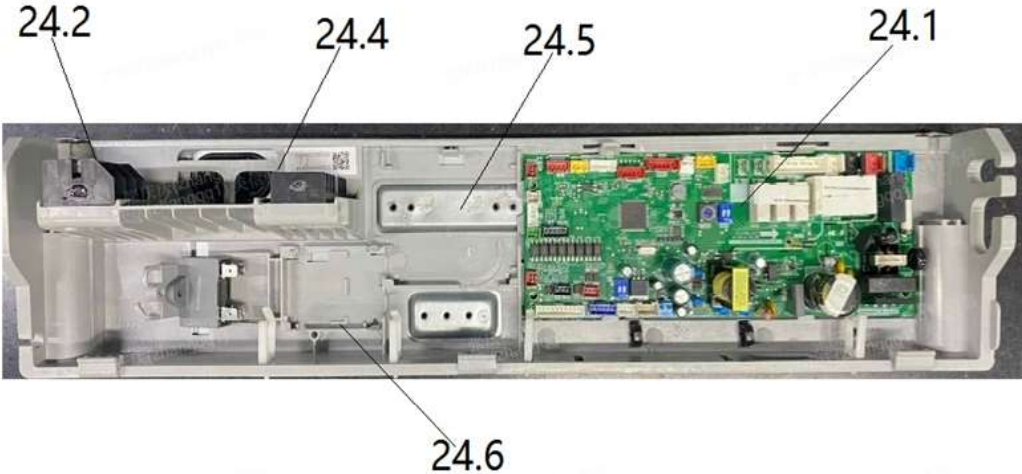
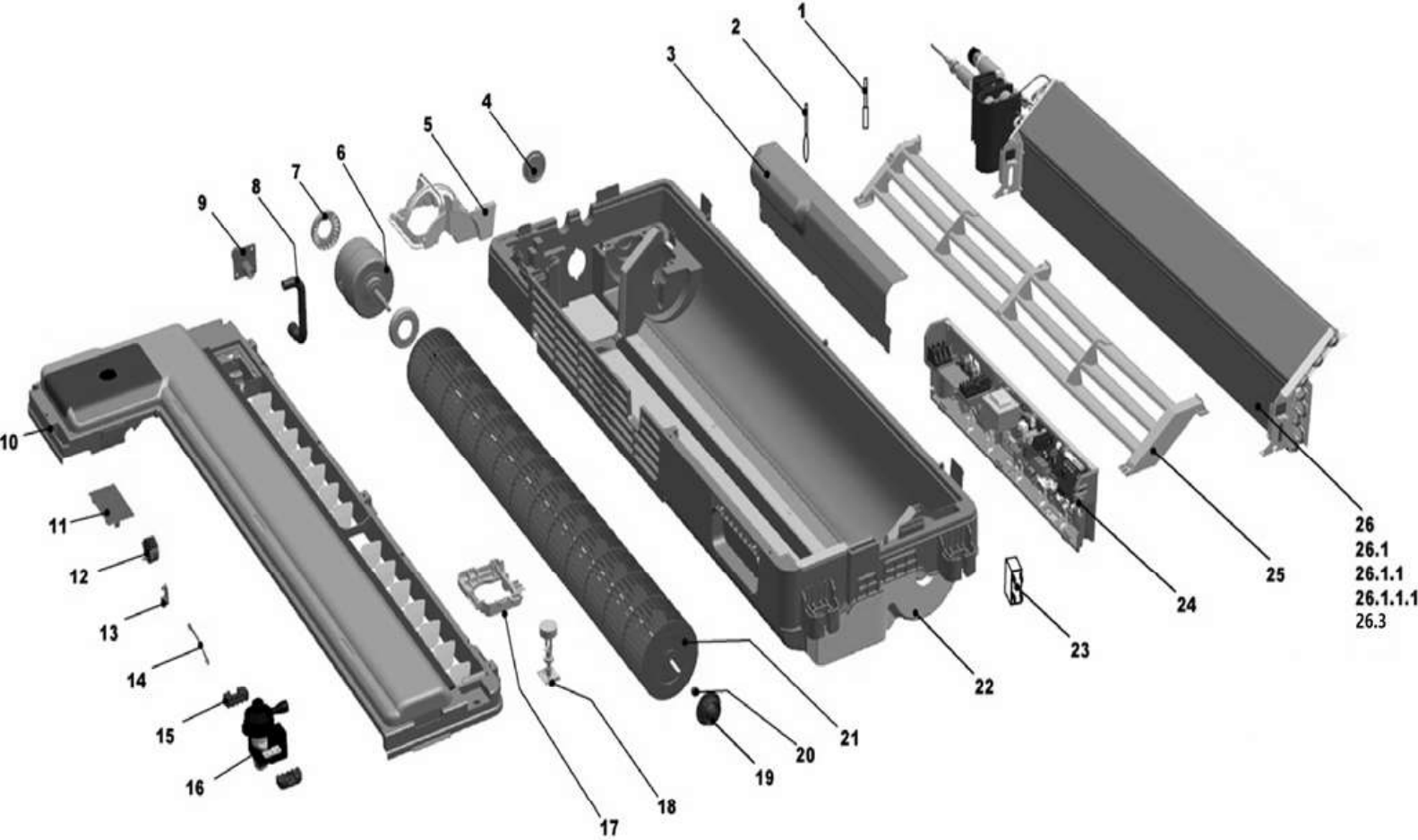


Model: BECW019Q3A-D

No.	Part Name	Part No.
1	Pipe Temperature Sensor	11201007001600
2	Room Temperature Sensor	11201007003026
3	Cover board of electric control box	12226000000560
4	Cover of water testing hole	12123000000043
5	Motor bracket	12126000000020
6	Motor	11002012003056
7	Supportor	12126000000021
8	Drain pipe	12626000000003
9	Drain pipe	12100510000021
10	Drainage pan ass'y	12126000000024
11	Cover	12126000000022
12	Stepper motor	11002010000034
13	Crankshaft	12126000000145
14	Connecting rod	12126000000158
15	Drainage pump shock pad	12626000000018
16	Drainage pump	17400802000172
17	Drainage pump bracket	12126000000017
18	Water Level Switch	17400511000029
19	bearing block	12600901000100
20	Bearing	12122000007617
21	Cross flow fan	12100102000119
22	Base ass'y	12126000000154
23	Fan motor capacitor	17400101000013
24	E-part box assembly	17226000004760
24.1	Indoor unit main control board	17126000005249
24.4	Wire joint	17400401000252
24.4	Wire joint	17400401001516
24.5	Electric control box of fire protection shell welded pieces	12226000000590
24.6	E-part box ass'y	12126000000152
25	Drainage pan	12126000000025
26	Evaporator ass'y	15826000000019
26.1	Evaporator input pipe ass'y	15426000000066
26.1.1	Evaporator input pipe valve ass'y	15426000000065
26.1.1.1	Electronic expansion valve suite	15500213000945
26.3	Pipe Temperature Sensor	11201007000070

Exploded Views and Parts Listing

Indoor Unit Model: BECW024Q3A-D



Model: BECW024Q3A-D

No.	Part Name	Part No.
1	Pipe Temperature Sensor	11201007001600
2	Room Temperature Sensor	11201007003026
3	Cover board of electric control box	12226000000560
4	Cover of water testing hole	12123000000043
5	Motor bracket	12126000000020
6	Motor	11002012003733
7	Supportor	12126000000021
8	Drain pipe	12626000000003
9	Drain pipe	12100510000021
10	Drainage pan ass'y	12126000000024
11	Cover	12126000000022
12	Stepper motor	11002010000034
13	Crankshaft	12126000000145
14	Connecting rod	12126000000158
15	Drainage pump shock pad	12626000000018
16	Drainage pump	17400802000172
17	Drainage pump bracket	12126000000017
18	Water Level Switch	17400511000029
19	bearing block	12600901000100
20	Bearing	12122000007617
21	Cross flow fan	12100102000119
22	Base ass'y	12126000000154
23	Fan motor capacitor	17400101000013
24	E-part box assembly	17226000004760
24.1	Indoor unit main control board	17126000A04795
24.4	Wire joint	17400401000252
24.4	Wire joint	17400401001516
24.5	Electric control box of fire protection shell welded pieces	12226000000590
24.6	E-part box ass'y	12126000000152
25	Drainage pan	12126000000025
26	Evaporator ass'y	15826000000309
26.1	Evaporator input pipe ass'y	15426000000063
26.1.1	Evaporator input pipe valve ass'y	15426000000065
26.1.1.1	Electronic expansion valve suite	15500213000945
26.3	Pipe Temperature Sensor	11201007000070