

OMEGA Certified Inverter Mini Split SUBMITTAL DATA

208~230V/1/60Hz

Job: _____
 Location: _____
 Schedule No.: _____
 System Designation: _____

Engineer: _____
 Architect: _____
 Date: _____
 For: Reference Approval Review Construction

FEATURES

Outdoor

- DC Inverter Rotary Compressor
- Super Quiet Operation
- Corrosion-Resistant Cabinet
- Over Current Protection
- High-Efficiency Coils with Gold Fin
- Discharge High Temperature Protection

Indoor

- Cooling and Heating System
- Low Temperature Cooling
- Turbo Cooling Function
- Up to 19 SEER in Cooling Mode
- Wifi Capable
- Self-Cleaning Gold Fin



1. Specifications

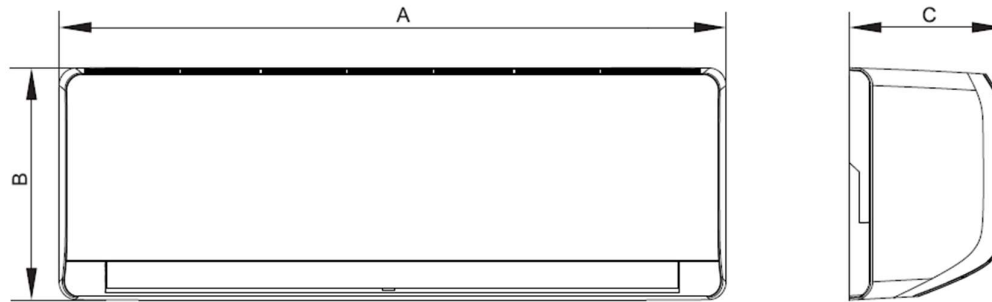
IEWB - Indoor Unit & ICHB - Outdoor Unit

OMEGA MODEL	Outdoor Unit	Model	ICHB009J0A-CTJ026GFA	ICHB012J0A-CTJ035GFA	ICHB018J0A-CTJ053GFA	ICHB024J0A-CTJ070GFA	
	Indoor Unit	Model	IEWB009J0A-CWJ026CWA	IEWB012J0A-CWJ035CWA	IEWB018J2A-CWJ053CWA	IEWB024J0A-CWJ070CWA	
Indoor power supply		V/Ph/Hz	208/230-1-60				
Cooling	Capacity	Tons	0.8	1.0	1.5	2	
		Btu/h	9000	11800	18000	22000	
		Btu/h	3400~11300	3450~12800	4260~19800	4800~26000	
		EER	11.20	10.60	11.50	10	
	SEER	19.0	19.0	18.0	17.5		
Heating	Capacity @ 47°F	Btu/h	9000	12000	18000	22600	
	Capacity @ 17°F	Btu/h	7000	9000	11500	13500	
	Capacity MIN - MAX	Btu/h	3000~11500	3800~13500	6200~19000	8500~24500	
	COP @ 47°F	W/W	3.30	3.20	3.30	3.15	
	HSPF		10.0	9.50	10.50	9.5	
Energy Star			NO	NO	NO	NO	
Minimum circuit ampacity (MCA)		A	6.0	8.0	12.0	18.0	
Maximum current rating of overcurrent protection (MOP)		A	6.0	10.0	15.0	25.0	
Max.fuse		A	10.0	10.0	15.0	25.0	
Compressor	Type		DC/Rotary	DC/Rotary	DC/Rotary	DC/Dual Rotary	
	Model		KSN98D22UFZ (801401400179)	KSN98D22UFZ (801401400179)	KSN140D21UFZ (801401400180)	KTM240D43UMT (801401400202)	
	Brand		GMCC	GMCC	GMCC	GMCC	
	Capacity	kW	3.095	3.095	4.370	7.760	
	Power input	W	790	790	1135	2055	
	Current input	A	5.4	5.4	7.5	9.3	
Outdoor fan motor	Type		DC	DC	DC	DC	
	Model		DRN-310-34-8-1	DRN-310-34-8-1	DRN-310-34-8-3	DRN-310-75-8	
	Brand		Weiling	Weiling	Weiling	Weiling	
	Power input	W	40	50	60	110	
	Current input	A	0.4	0.4	0.5	0.7	
	Power output	W	34	34	34	75	
	Capacitor	µF	-	-	-	-	
	Speed	r/min	800/650/500	900/650/500	900/650/520	1050/750/620	
Insulation class			E	E	E	E	
Outdoor coil	Number of rows		1	1	2	2	
	Fin type		Hydrophilic	Hydrophilic	Hydrophilic	Hydrophilic	
	Tube type		inner grooved	inner grooved	inner grooved	inner grooved	
Refrigerant	Type		R410A	R410A	R410A	R410A	
	Charge	g/oz	830/29.3	830/29.3	1250/44.1	1850/65.2	
Throttle part			Capillary	Capillary	EXV	EXV	
Minimum circuit ampacity (MCA)		A	0.4	0.4	0.7	0.7	
Maximum current rating of overcurrent protection (MOP)		A	1.0	1.0	1.0	1.0	
Max.fuse		A	5	5	5	5	
Indoor fan motor	Model		DR-310-13-8	DR-310-13-8	YDK-26-4P2	DR-310-58-8	
	Brand		Weiling	Weiling	lvzhi	Weiling	
	Power input	W	30	35	60	110	
	Power input	A	0.3	0.3	0.5	0.6	
	Power input	W	13	13	30	58	
	Capacitor	µF	-	-	2	-	
	Insulation class			E	E	E	E
	RLA		0.3	0.3	0.5	0.5	
	Speed (H/M/L)	r/min	1180/1050/750	1220/1100/800	1180/1050/900	1300/1200/900	
	Speed (H/M/L)	r/min	1180/1050/900	1220/1100/900	1180/1050/900	1300/1200/900	
Indoor coil	Number of Rows		2	2	2	2	
	Tube Type		inner grooved	inner grooved	inner grooved	inner grooved	
Outdoor air flow		CFM	1088	1176	1653	1853	
Indoor air flow		CFM	300	380	530	680	
Outdoor noise	power level	dB(A)	51	53	55	57	
	pressure level		40	42	44	45	
Indoor noise	power level (H)	dB(A)	39	42	45	48	
Outdoor unit	Dimension(W*H*D)	mm	805*495*305	805*495*305	880*555*345	935*705*395	
		in	31.69*19.49*12.01	31.69*19.49*12.01	34.65*21.85*13.58	36.81*27.76*15.55	
	Packing(W*H*D)	mm	850*550*350	850*550*350	920*600*380	975*770*435	
		in	33.46*21.65*13.78	33.46*21.65*13.78	36.22*23.62*14.96	38.39*30.31*17.13	
	Net/Gross weight	kg	25/28	25/28	32/35	42.5/45.5	
lbs		52.9/57.3	52.9/57.3	70.6/77.2	93.9/100.5		
Indoor unit	Dimension(W*H*D)	mm	715*295*198	864*300*200	972*320*215	1080*335*226	
		in	28.15*11.61*7.8	34.02*11.81*7.87	38.27*12.6*8.46	42.52*13.19*8.9	
	Packing(W*H*D)	mm	785*370*285	950*380*290	1070*410*310	1170*430*325	
		in	31.5*14.96*11.42	37.4*14.96*11.42	42.13*16.14*12.2	46*16.9*12.8	
	Net/Gross weight	kg	8.5/10.5	9.5/12.5	11.5/14.5	14.5/17.5	
lbs		18.7/23.2	20.9/27.6	25.4/32	32.0/38.6		
Refrigerant piping	Liquid side/Gas side	mm	Φ6.35-Φ9.52	Φ6.35-Φ9.52	Φ6.35-Φ12.7	Φ9.52-Φ15.88	
		in	1/4-3/8	1/4-3/8	1/4-1/2	3/8-5/8	
	Max. pipe length	ft (m)	82 (25)	82 (25)	98.5 (30)	98.5 (30)	
	Max. high drop	ft (m)	33 (10)	33 (10)	66 (20)	66 (20)	
Ambient temperature	Cooling	°C	0-50	0-50	0-50	0-50	
		°F	32-122	32-122	32-122	32-122	
	Heating	°C	-15-30	-15-30	-15-30	-15-30	
		°F	5-86	5-86	5-86	5-86	
Operation temperature	Cooling	°C	16-32	16-32	16-32	16-32	
		°F	61-90	61-90	61-90	61-90	
	Heating	°C	15.5-32	15.5-32	15.5-32	15.5-32	
		°F	60-90	60-90	60-90	60-90	

2. Dimensional Drawings

IEWB- Indoor Unit

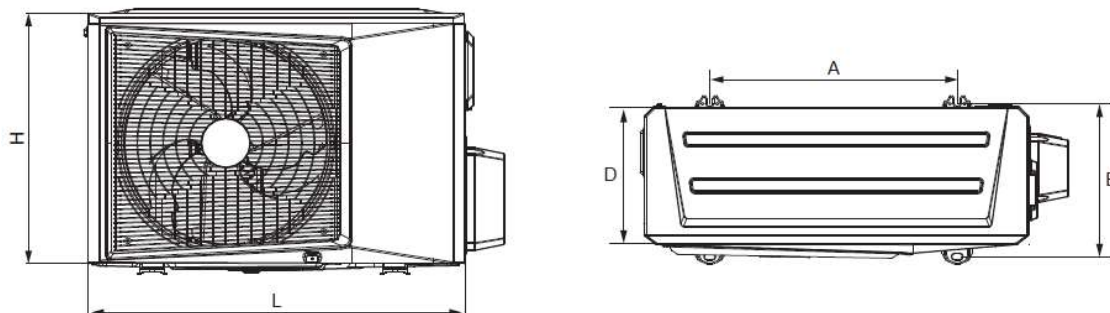
Unit:mm



Dimension	A(mm)	B(mm)	C(mm)
9K	715	295	198
12K	864	300	200
18K	972	320	215
24K	1080	335	226

ICHB - Outdoor Unit

Unit:mm



Model	ODU dimension(mm) L*H*D	Mounting dimension	
		A	B
9K/12K	735×475×250	453	280
18K	790×520×280	508	314
24K	848×670×345	544	345

3. Electrical Characteristics

Electrical Data - ICHB & IEWB

Indoor Unit - IEWB

Model	Power Supply ¹					
	Hz	Volts	Min.	Max.	FLA	MOCP
			volts	volts		
IEWB009J0A-CWJ026CWA	60Hz	208-230	187	253	0.14	5
IEWB012J0A-CWJ035CWA	60Hz	208-230	187	253	0.16	5
IEWB018J2A-CWJ053CWA	60Hz	208-230	187	253	0.27	5
IEWB024J0A-CWJ070CWA	60Hz	208-230	187	253	0.50	5

Heat Pump Outdoor Unit - ICHB

Model	Power Supply ¹					
	Hz	Volts	Min.	Max.	MCA	MOCP
			volts	volts		
ICHB009J0A-CTJ026GFA	60Hz	208-230	187	253	6.0	6.0
ICHB012J0A-CTJ035GFA	60Hz	208-230	187	253	8.0	10.0
ICHB018J0A-CTJ053GFA	60Hz	208-230	187	253	12.0	15.0
ICHB024J0A-CTJ070GFA	60Hz	208-230	187	253	16.0	25.0

Abbreviations:

MCA: Minimum Circuit Amps; MOCP: Maximum Fuse Amps; RLA: Rated Load Amps; FLA: Full Load Amps