

OMEGA Round Flow Cassette VRF IDU

SUBMITTAL DATA

220-240V/1/50Hz

Job: _____
Location: _____
Schedule No.: _____
System Designation: _____

Engineer: _____
Architect: _____
Date: _____
For Reference Approval Review Construction

FEATURES

- Build in Drain Pump
- Auto Restart
- Water Overflow Protection
- Washable Filter
- High-Efficiency DC Motor
- Round Air Flow



1. Specifications

Table 1.3: BECS010(12,15) specifications

Model			BECS010Q3A-DWM028	BECS012Q3A-DWM036	BECS015Q3A-DWM045
Power supply			1 phase, 220-240V, 50Hz		
Cooling ¹	Capacity	kBtu/h	9	12	15
	Input	W	80	80	88
Heating ²	Capacity	kBtu/h	10	13	17
	Input	W	80	80	88
Indoor fan motor	Type		AC		
	Quantity		1		
Indoor coil	Number of rows		1	1	2
	Tube pitch × row pitch	mm	21×13.37		
	Fin spacing	mm	1.5		
	Fin type		Hydrophilic aluminum		
	Diameter & type	mm	Φ7, inner-groove		
	Dimensions (L×H ×W)	mm	2033×168×13.37		2051×168×26.74
	Number of circuits		4		8
Indoor air flow (H/M/L)		m ³ /h	764/638/554		905/740/651
Sound pressure level (H/M/L) ³		dB(A)	32/31/30		36/34/33
Indoor unit	Dimensions ⁴ (W×H×D)	mm	840×230×840		
	Packing (W×H×D)	mm	955×260×955		
	Net/Gross weight	kg	21.5/26.7		23.7/28.9
Panel	Dimensions (W×H×D)	mm	950×70×950		
	Packing(W×H×D)	mm	1035×89×1035		
	Net/Gross weight	kg	5.8/7.9		
Refrigerant type			R410A		
Pipe connections	Liquid pipe	mm	Φ6.35		
	Gas pipe	mm	Φ12.7		
	Drain pipe	mm	OD Φ32		

Notes:

1. Indoor temperature 27°C DB, 19°C WB; outdoor temperature 35°C DB; equivalent refrigerant piping length 7.5m with zero level difference.
2. Indoor temperature 20°C DB; outdoor temperature 7°C DB, 6°C WB; equivalent refrigerant piping length 7.5m with zero level difference.
3. Sound pressure level is measured 1.4m below the unit in a semi-anechoic chamber.
4. Unit body dimensions given are the largest external dimensions of the unit, including hanger attachments.

1. Specifications

Table 1.2: BECS018(24,28) specifications

Model			BECS019Q3A-DWM056	BECS024Q3A-DWM071	BECS027Q3A-DWM080
Power supply			1 phase, 220-240V, 50Hz		
Cooling ¹	Capacity	kBtu/h	19	24	27
	Input	W	88	88	110
Heating ²	Capacity	kBtu/h	21	27	30
	Input	W	88	88	110
Indoor fan motor	Type		AC		
	Quantity		1		
Indoor coil	Number of rows		2		
	Tube pitch × row pitch	mm	21×13.37		
	Fin spacing	mm	1.5		
	Fin type		Hydrophilic aluminum		
	Diameter & type	mm	Φ7, inner-groove		
	Dimensions (L×H×W)	mm	2051×168×26.74		
	Number of circuits		8		
Indoor air flow (H/M/L)		m ³ /h	905/740/651	950/767/663	1200/1021/789
Sound pressure level (H/M/L) ³		dB(A)	36/34/33	38/36/35	42/39/37
Indoor unit	Dimensions ⁴ (W×H×D)	mm	840×230×840		
	Packing (W×H×D)	mm	955×260×955		
	Net/Gross weight	kg	23.7/28.9		
Panel	Dimensions (W×H×D)	mm	950×70×950		
	Packing (W×H×D)	mm	1035×89×1035		
	Net/Gross weight	kg	5.8/7.9		
Refrigerant type			R410A		
Pipe connections	Liquid pipe	mm	Φ9.53		
	Gas pipe	mm	Φ15.9		
	Drain pipe	mm	OD Φ32		

Notes:

1. Indoor temperature 27°C DB, 19°C WB; outdoor temperature 35°C DB; equivalent refrigerant piping length 7.5m with zero level difference.
2. Indoor temperature 20°C DB; outdoor temperature 7°C DB, 6°C WB; equivalent refrigerant piping length 7.5m with zero level difference.
3. Sound pressure level is measured 1.4m below the unit in a semi-anechoic chamber.
4. Unit body dimensions given are the largest external dimensions of the unit, including hanger attachments.

1. Specifications

Table 1.3: BECS031(36) specifications

Model			BECS031Q3A-DWM090	BECS036Q3A-DWM100
Power supply			1 phase, 220-240V, 50Hz	
Cooling ¹	Capacity	kBtu/h	30	34
	Input	W	140	165
Heating ²	Capacity	kBtu/h	34	37
	Input	W	140	165
Indoor fan motor	Type		AC motor	
	Number		1	
Indoor coil	Number of rows		2	2
	Tube pitch × row pitch	mm	21×13.37	
	Fin spacing	mm	1.5	
	Fin type		Hydrophilic aluminum	
	Diameter & type	mm	Φ7, inner-groove	
	Dimensions (L×H×W)	mm	2051×252×26.74	
	Number of circuits		8	
Indoor air flow (H/M/L)		m ³ /h	1332/1129/908	1651/1304/1127
Sound pressure level (H/M/L) ³		dB(A)	43/39/38	45/42/40
Indoor unit	Dimensions ⁴ (W×H×D)		840×300×840	
	Packing (W×H×D)		955×330×955	
	Net/Gross weight		28.7/34.1	
Panel	Dimensions (W×H×D)		950×70×950	
	Packing (W×H×D)		1035×89×1035	
	Net/Gross weight		5.8/7.9	
Refrigerant type			R410A	
Pipe connections	Liquid pipe	mm	Φ9.53	
	Gas pipe	mm	Φ15.9	
	Drain pipe	mm	OD Φ32	

Notes:

- Indoor temperature 27°C DB, 19°C WB; outdoor temperature 35°C DB; equivalent refrigerant piping length 7.5m with zero level difference.
- Indoor temperature 20°C DB; outdoor temperature 7°C DB, 6°C WB; equivalent refrigerant piping length 7.5m with zero level difference.
- Sound pressure level is measured 1.4m below the unit in a semi-anechoic chamber.
- Unit body dimensions given are the largest external dimensions of the unit, including hanger attachments.

1. Specifications

Table 1.4: BECS(R)038(48,60) specifications

Model			BECS038Q3A-DWM112	BECS048Q3A-DWM140	BECS060Q0A-DWM160
Power supply			1 phase, 220-240V, 50Hz		1 phase, 220-240V, 50/60Hz
Cooling ¹	Capacity	kBtu/h	38	47	54
	Input	W	165	176	170
Heating ²	Capacity	kBtu/h	42	54	61
	Input	W	165	176	170
Indoor fan motor	Type		AC motor		DC motor
	Number		1		
Indoor coil	Number of rows		2	3	3
	Tube pitch × row pitch	mm	21×13.37		
	Fin spacing	mm	1.5		
	Fin type		Hydrophilic aluminum		
	Diameter & type	mm	Φ7, inner-groove		
	Dimensions (L×H×W)	mm	2051×252×26.74	2007×252×40.11	2200×252×40.11
	Number of circuits		8	12	12
Indoor air flow (H/M/L)	m ³ /h	1651/1304/1127	1658/1335/1130	2100/1950/1800/1750/1600/1450/1350	
Sound pressure level (H/M/L) ³	dB(A)	45/42/40	46/41/39	46/44/42/41/39/38/37	
Indoor unit	Dimensions ⁴ (W×H×D)	mm	840×300×840		950×300×950
	Packing (W×H×D)	mm	955×330×955		1050×335×1050
	Net/Gross weight	kg	28.7/34.1	30.9/36.3	35.3/41.2
Panel	Dimensions (W×H×D)	mm	950×70×950		1050×55×1050
	Packing (W×H×D)	mm	1035×89×1035		1115×100×1115
	Net/Gross weight	kg	5.8/7.9		7.4/9.7
Refrigerant type			R410A		
Pipe connection	Liquid pipe	mm	Φ9.53		
	Gas pipe	mm	Φ15.9		
	Drain pipe	mm	OD Φ32		

Notes:

1. Indoor temperature 27°C DB, 19°C WB; outdoor temperature 35°C DB; equivalent refrigerant piping length 7.5m with zero level difference.
2. Indoor temperature 20°C DB; outdoor temperature 7°C DB, 6°C WB; equivalent refrigerant piping length 7.5m with zero level difference.
3. Sound pressure level is measured 1.4m below the unit in a semi-anechoic chamber.

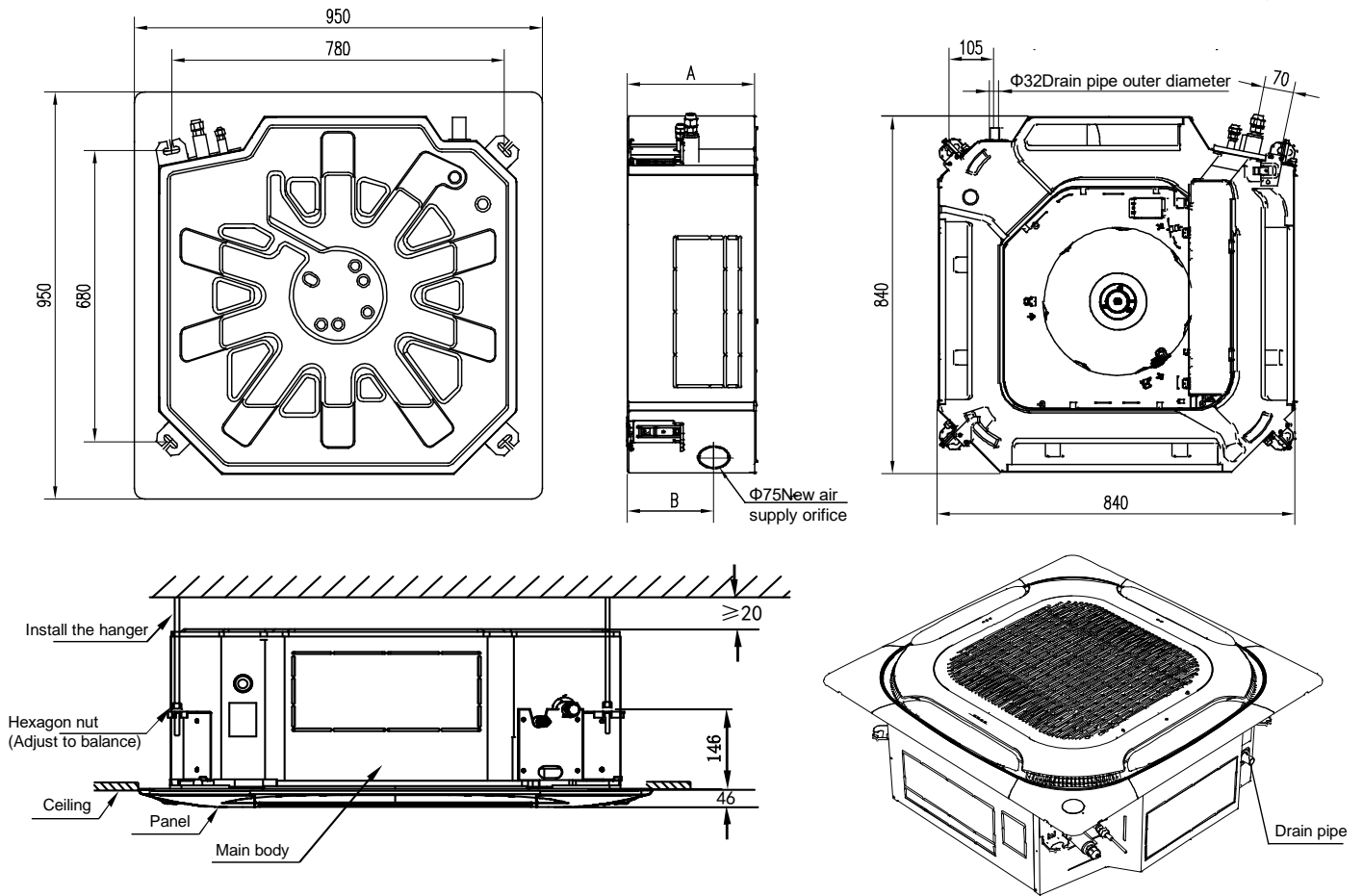
Unit body dimensions given are the largest external dimensions of the unit, including hanger attachments.

2-DIMENSIONAL DRAWINGS - (MM)

2 Dimensions

2.1 Unit Dimensions

Figure 2.1: BECS010(12,15,18,24,28,32,36,40,48) Round Flow Cassette dimensions (unit: mm)



2-DIMENSIONAL DRAWINGS - (MM)

Figure 2.2: BECR060Q0A-DWM160 Round Flow Cassette dimensions (unit: mm)

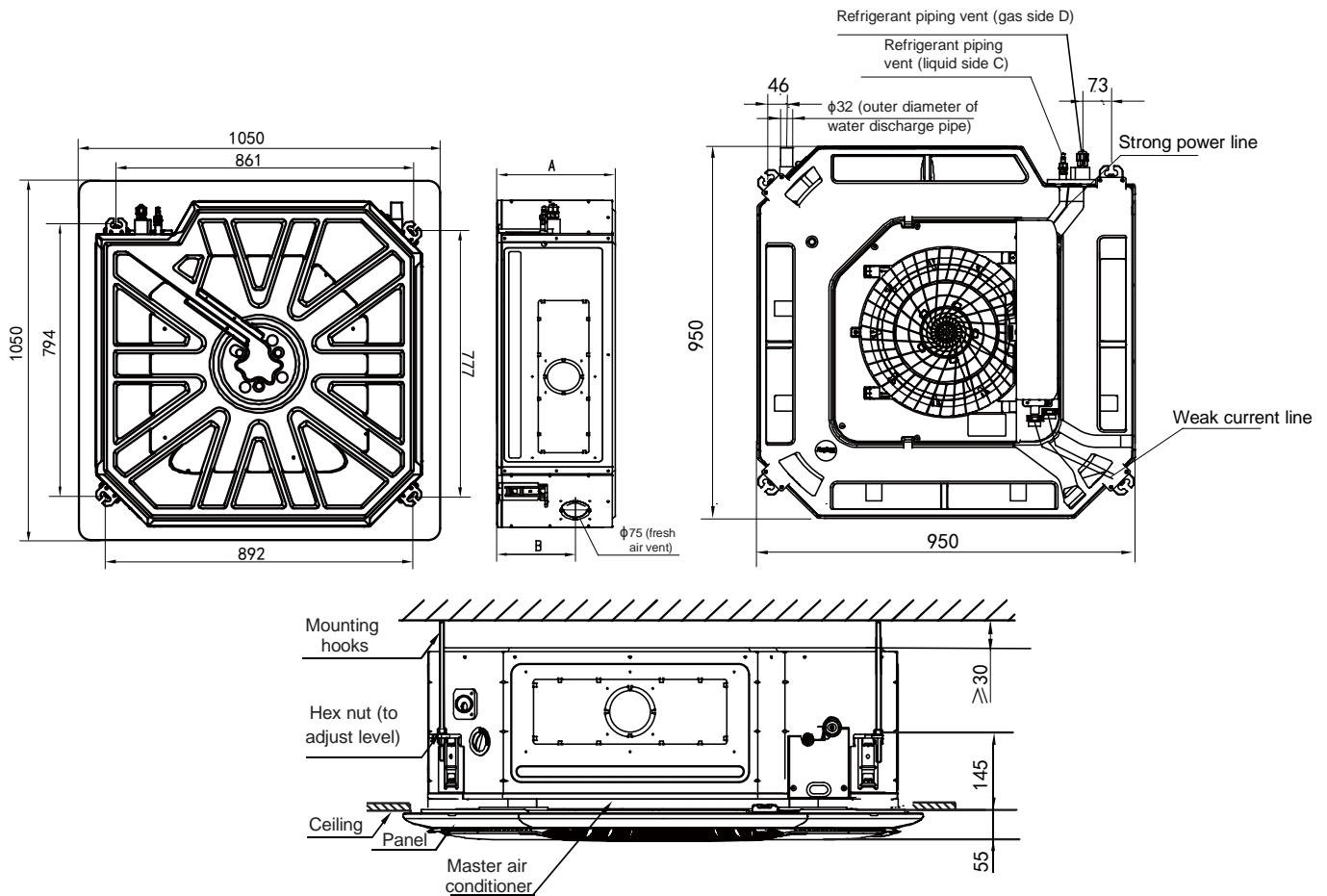


Table 2.1: Round Flow Cassette dimensions

Model names	Dimensions (mm)	
	A	B
BECS010Q2A-DWM028	230	126
BECS012Q2A-DWM036		
BECS015Q3A-DWM045		
BECS019Q2A-DWM056		
BECS024Q2A-DWM071		
BECS027Q2A-DWM080		
BECS031Q2A-DWM090	300	197
BECS036Q2A-DWM100		
BECS038Q2A-DWM112		
BECS048Q2A-DWM140		
BECR060Q0A-DWM160	300	200

Table 2.2: Round Flow Cassette piping connections

Model names	Gas pipe (mm)	Liquid pipe (mm)
BECS010Q2A-DWM028	Φ12.7	Φ6.35
BECS012Q2A-DWM036		
BECS015Q3A-DWM045		
BECS019Q2A-DWM056	Φ15.9	Φ9.53
BECS024Q2A-DWM071		
BECS027Q2A-DWM080		
BECS031Q2A-DWM090		
BECS036Q2A-DWM100		
BECS038Q2A-DWM112		
BECS048Q2A-DWM140		
BECR060Q0A-DWM160		

2-DIMENSIONAL DRAWINGS - (MM)

2 Space Requirements

Figure 3.1: Round Flow Cassette space requirements (unit: mm)

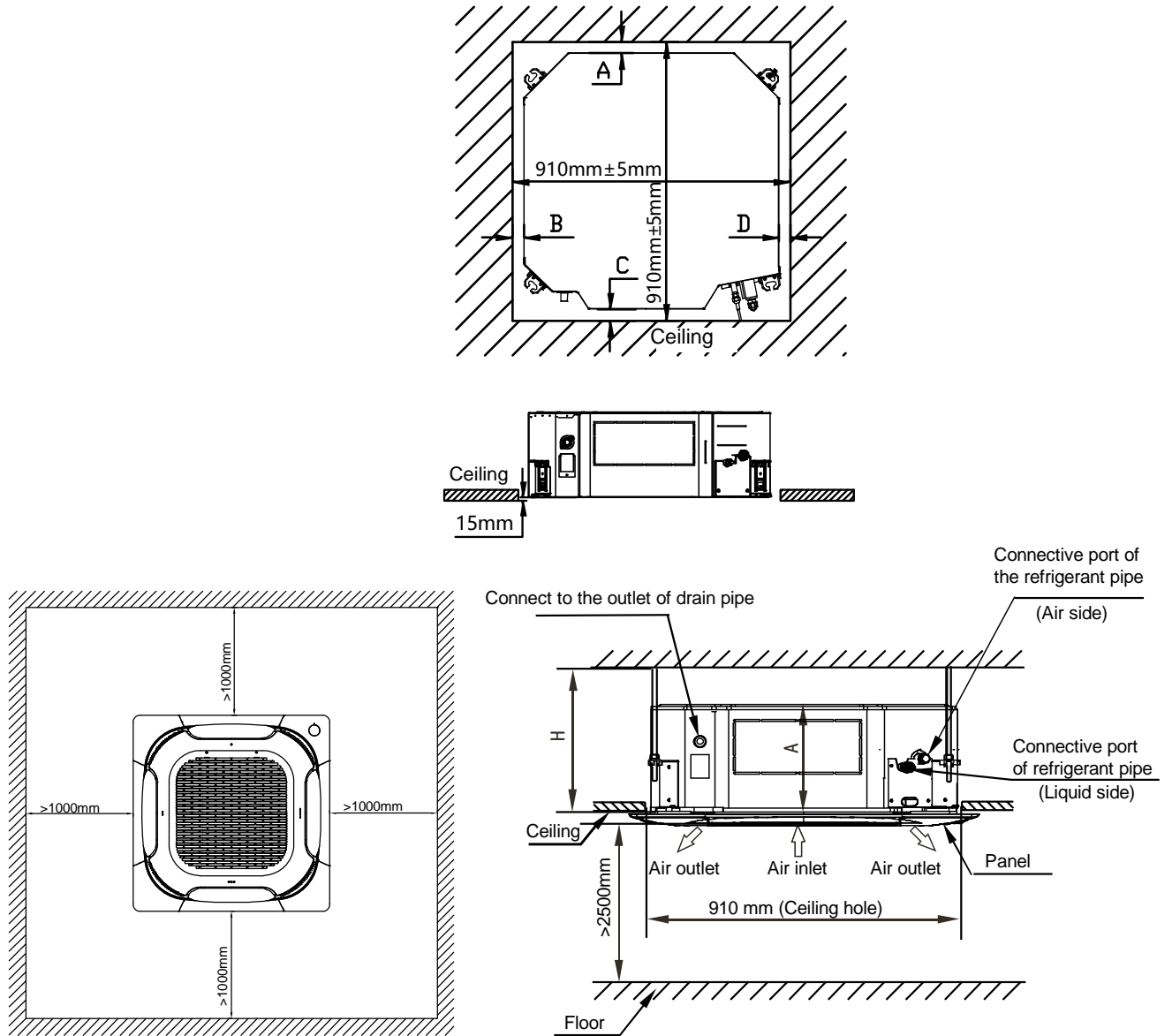


Table 3.1: Round Flow Cassette dimensions and space requirements

Model name	Dimensions / Requirements (mm)	
	A	H
BECS010Q2A-DWM028	230	≥260
BECS012Q2A-DWM036		
BECS015Q3A-DWM045		
BECS019Q2A-DWM056		
BECS024Q2A-DWM071		
BECS027Q2A-DWM080		
BECS031Q2A-DWM090	300	≥330
BECS036Q2A-DWM100		
BECS038Q2A-DWM112		
BECS048Q2A-DWM140		
BECS060Q0A-DWM160		

3-Electrical Characteristics

Table 7.1: Round Flow Cassette electrical characteristics

Model	Power supply						Indoor fan motors	
	Hz	Volts	Min. volts	Max. volts	MCA	MFA	Rated motor output (kW)	FLA
BECS010Q3A-DWM028	50	220-240	198	264	0.3	15	0.026	0.2
BECS012Q3A-DWM036	50	220-240	198	264	0.3	15	0.026	0.2
BECS015Q3A-DWM045	50	220-240	198	264	0.4	15	0.026	0.3
BECS019Q3A-DWM056	50	220-240	198	264	0.4	15	0.026	0.3
BECS024Q3A-DWM071	50	220-240	198	264	0.4	15	0.03	0.3
BECS027Q3A-DWM080	50	220-240	198	264	0.5	15	0.037	0.4
BECS031Q3A-DWM090	50	220-240	198	264	0.7	15	0.05	0.5
BECS036Q3A-DWM100	50	220-240	198	264	0.7	15	0.065	0.6
BECS038Q3A-DWM112	50	220-240	198	264	0.7	15	0.065	0.6
BECS048Q3A-DWM140	50	220-240	198	264	0.8	15	0.065	0.6
BECR060Q0A-DWM160	50	220-240	198	264	1.26	15	0.09	1.01

Abbreviations:

MCA: Minimum Circuit Amps

MFA: Maximum Fuse Amps

FLA: Full Load Amps